

Dot laser, blue, 405 nm, 1 mW

DD405-1-3(14x45)-CON-NT
Order Number: 70123388

Main Parameters (*)	min	typ	max	Unit
Wavelength		405		nm
Optical Output Power		1		mW
Operating Voltage	2.7	3	3.3	V DC
Operating Current	30	60	90	mA
Operating Temperature	0		50	°C
Storage Temperature	-40		80	°C

Main Data

Warranty	1 years
----------	---------

Technical Parameters

Lifetime	> 5,000 h
RoHS	yes

Optical Parameters

Beam Shape	Dot
Laser Class	2
Divergence	D - 0.5 mrad
Size of Laserdot	adjustable
Operating Distance	10 m
Optics	glass lens AR coated
Laser technology	diode
Focus	adjustable

Electrical Parameters

Potential of Housing	isolated
Connector	2.5 mm DC socket (GND pole inner)
Power Supply	LFNT-3-C

Mechanical Parameters

Size	Ø14x45 mm
Material	aluminium
Cable length	100 mm
Wire type	26AWG, 0,14mm ²
Output Aperture	5 mm
Weight	16 g

(*) Over the complete operating temperature range

Features



- Blue Lasermodule
- Operating Voltage 3 V DC
- Glas lenses anti reflex coated
- Laser Class 2
- Adjustable focus

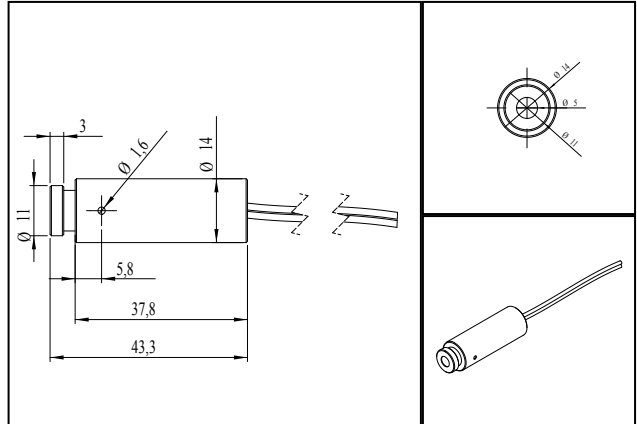
Picture



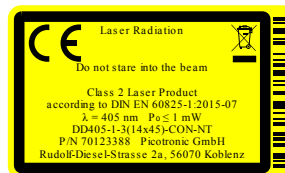
Cable color

Ground		black	GND
positive		red	2.7 - 3.3, typ 3 V DC

Drawing



Safety Label



Valid Revision

| 29-JUN-2018