



83132 / 83133 / 83134 Rear outputs 831330 Part number 83133035



- Double break switching
- Choice of actuators for symmetrical mounting
- Options for operation in stable positions

Part numbers

| Type | Function | Connections |
|------------------------------|----------------|-------------|
| 83133035 Rear outputs 831330 | I (changeover) | W2 |

Specifications

Electrical characteristics

| | |
|------------------------------|----|
| Rating nominal / 250 VAC (A) | 5 |
| Rating thermal / 250 VAC (A) | 11 |

Mechanical characteristics

| | |
|-------------------------------------|---------------------|
| Maximum operating force (N) | 1,6 |
| Min. Release force (N) | 0,4 |
| Max. permitted overtravel force (N) | 10 |
| Maximum rest position (mm) | 8,45 |
| Operating position (mm) | 7,7 ^{±0,2} |
| Maximum differential travel (mm) | 0,45 |
| Min. overtravel (mm) | 0,27 |
| Ambient operating temperature (°C) | -20 → +125 |
| Mechanical life (operations) | 10 ⁷ |
| Contact gap (mm) | 0,3 x 2 |
| Weight (g) | 1,8 |

Additional specifications

Components

Material

- Case : glass-filled polyamide
- Contacts : silver
- Cupro-nickel terminals

Lever

- Flat : stainless steel
- Roller : polyamide

Accessories : stainless steel

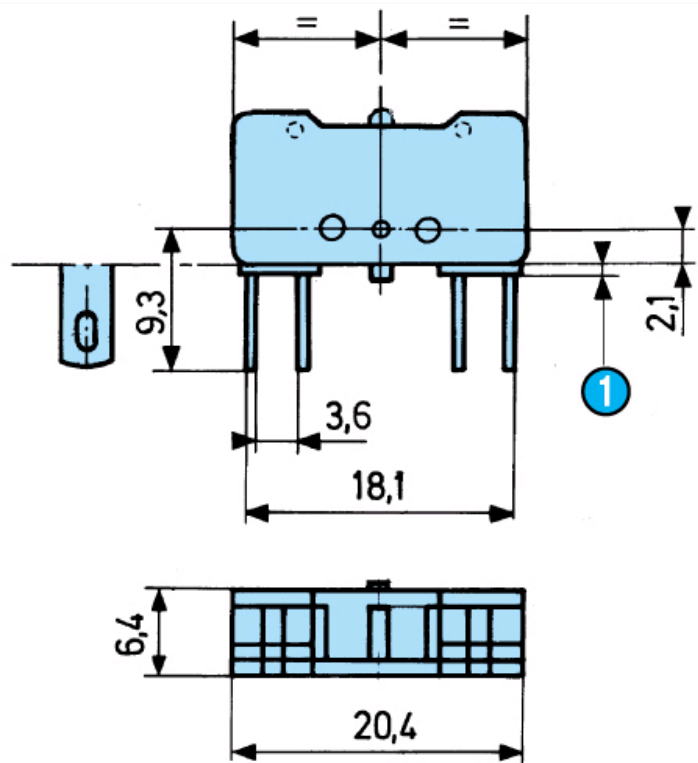
Principles



Dimensions (mm)

Product

831330



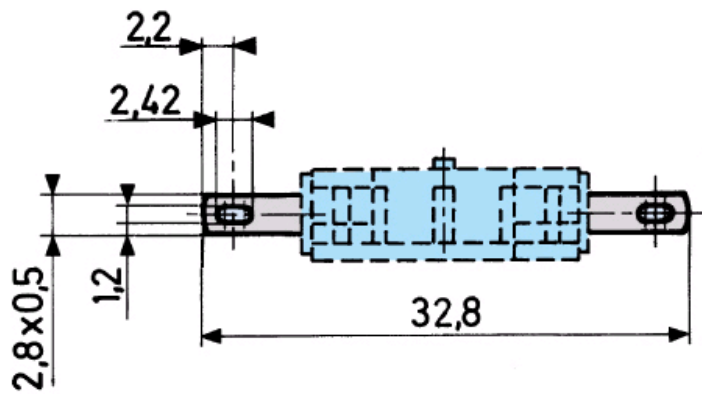
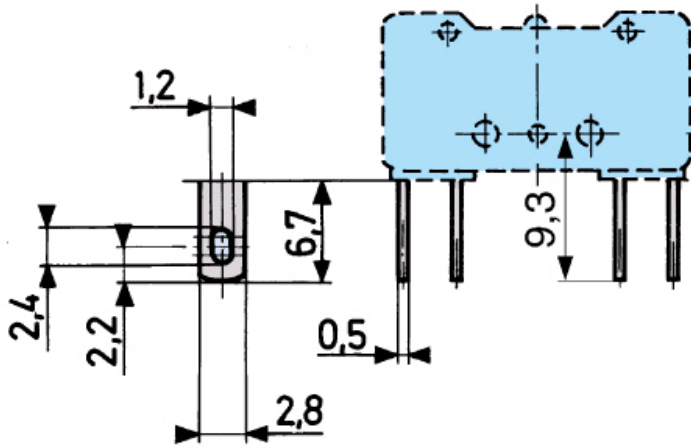
| N° | Legend |
|----|--------------|
| 1 | 2 plates 0.8 |

Dimensions (mm)

Connections

W2 solder (83132/83133)

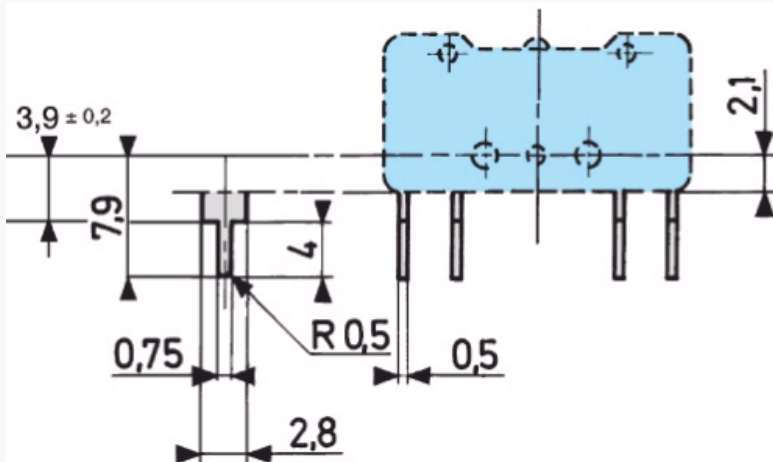
tags can accept faston clips 2.8 x 0.5 mm



Dimensions (mm)

Connections

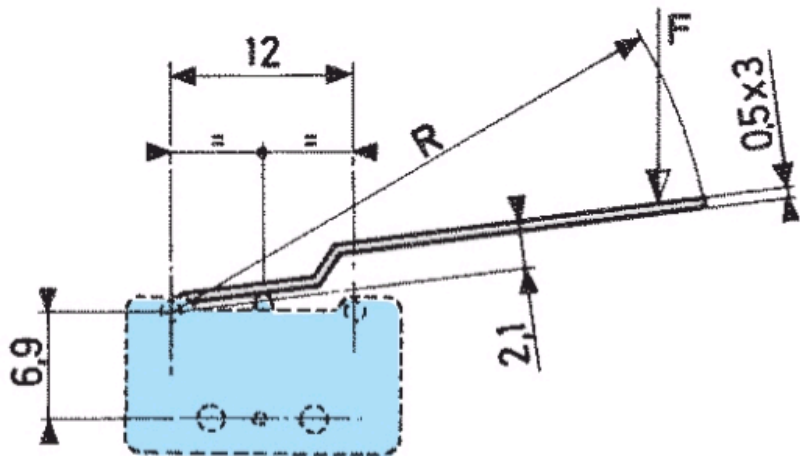
X1 for printed circuit boards (83132 - 83133)



Dimensions (mm)

Actuators and fixing positions

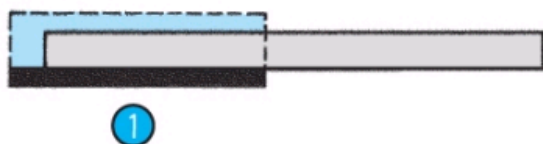
54A



Dimensions (mm)

Mounting accessories

For 831320 and 831330

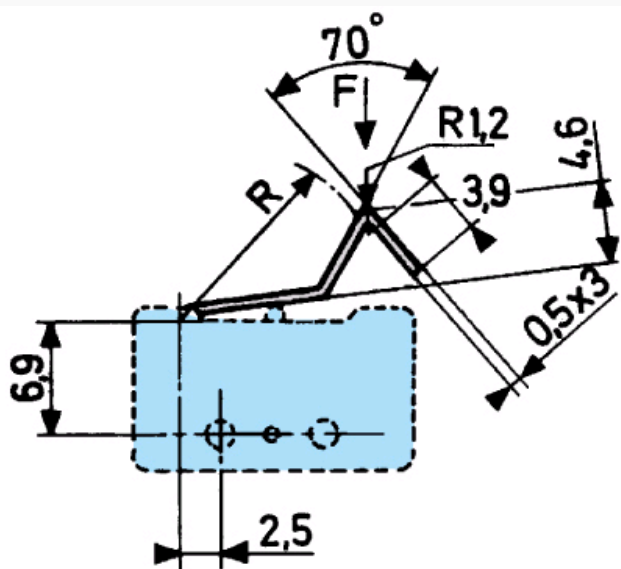


| N° | Legend |
|----|--------|
| 1 | Cover |

Dimensions (mm)

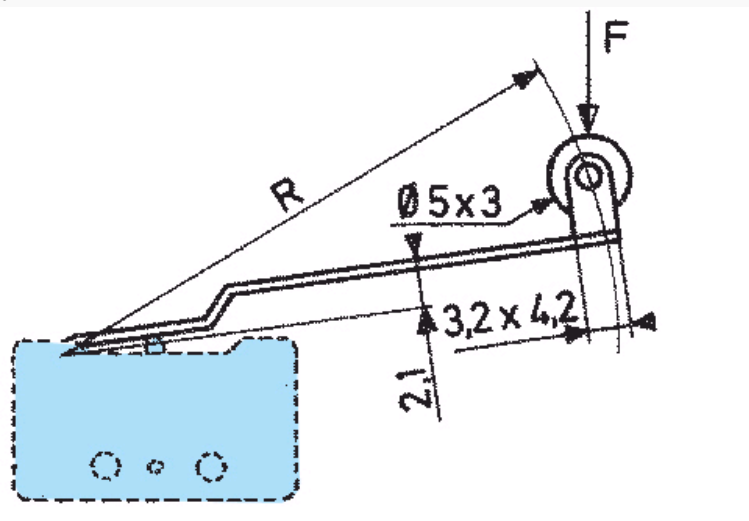
Actuators and fixing positions

54B



Dimensions (mm)

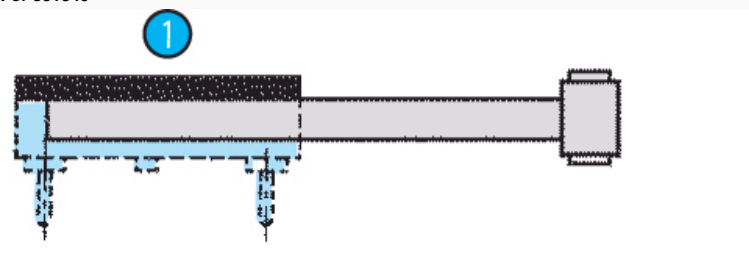
Actuators and fixing positions



Dimensions (mm)

Mounting accessories

For 831340

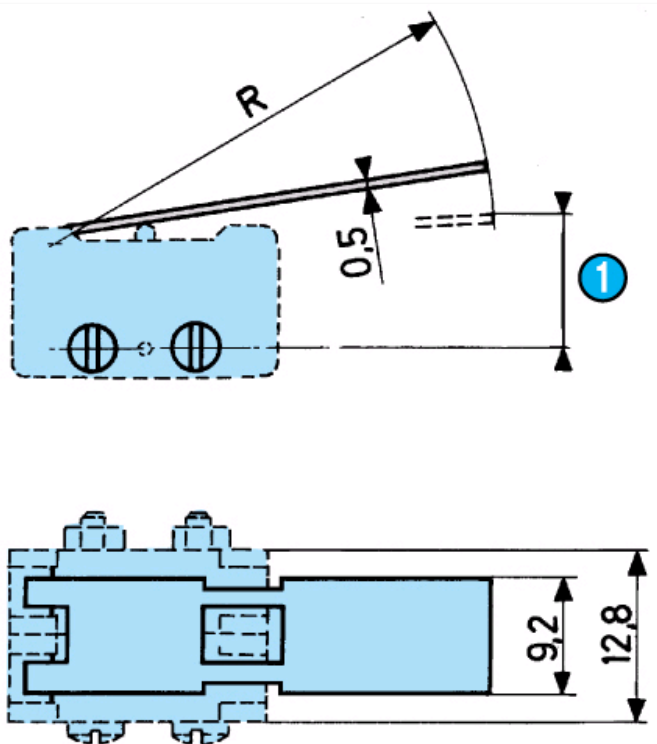


| N° | Legend |
|----|--------|
| 1 | Cover |

Dimensions (mm)

Actuators and fixing positions

54A2

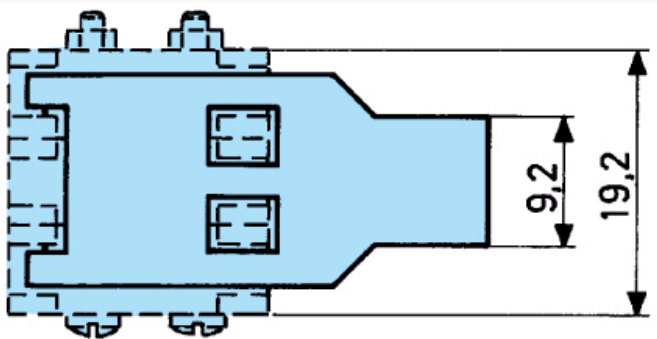


| N° | Legend |
|----|----------------|
| 1 | Tripping point |

Dimensions (mm)

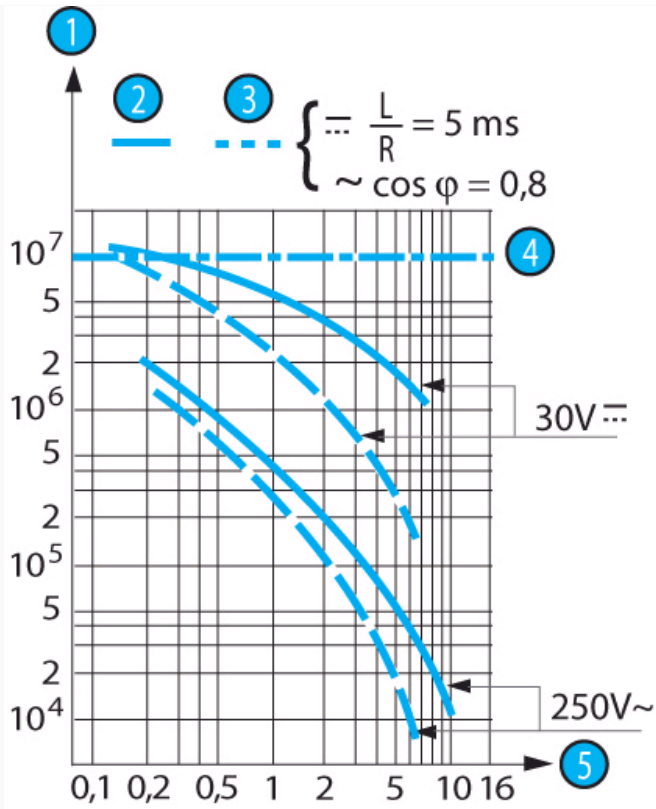
Actuators and fixing positions

54A3



Curves

Operating curve for types
831320 - 831330 - 831340



| N° | Legend |
|----|-----------------------|
| 1 | Number of cycles |
| 2 | Resistive circuit |
| 3 | Inductive circuit |
| 4 | Mechanical life limit |
| 5 | Current in Amps |

Connections

Actuators and fixing positions

| Part numbers for standard actuators | 70 514 175 | 70 514 194 | 70 514 181 | 70 514 182 |
|-------------------------------------|-----------------------------------------|--------------------------------------|-----------------------------------------|-----------------------------------------|
| Actuators | Plain 54A R14.75 | Plain 54A R35.75 | Tip-mounted in-line roller 54E R7.5 | Tip-mounted in-line roller 54E R14.1 |
| | | | | |
| | 83 132 0 83 133 0 83 134 0 | 83 132 0 83 133 0 83 134 0 | 83 132 0 83 133 0 83 134 0 | 83 132 0 83 133 0 83 134 0 |
| Tripping point | 9.5 ^{min} 9.2 ^{max} | 10 ^{min} 9.7 ^{max} | 14.2 ^{min} 13.9 ^{max} | 15.5 ^{min} 15.2 ^{max} |
| Operating force max. N | 0.8 | 0.34 | 1.6 | 0.8 |
| Release force min. N | 0.16 | 0.06 | 0.32 | 0.17 |
| Pre-travel max. mm | 2.15 | 5.15 | 1.1 | 2.05 |
| Differential travel mm | 1 ^{min} | 2.1 ^{max} | 0.5 ^{min} | 0.95 ^{max} |
| Total travel max. mm | 2.8 | 6.8 | 1.45 | 1.45 |
| Actuators | 54B R13.17 | 2-pole 54A2 R30 | 3-pole 54A3 R30 | Side fixing plate (0.4 mm thick) 54Y |
| | | | | |
| | 83 132 0 83 133 0 83 134 0 | 83 132 0 83 133 0 83 134 0 | 83 132 0 83 133 0 83 134 0 | |
| Tripping point | 12.7 ^{min} 12.4 ^{max} | 8.8 ^{min} | 8.8 ^{min} | |
| Operating force max. N | 0.85 | 0.8 | 1.2 | |
| Release force min. N | 0.18 | 0.16 | 0.24 | |
| Pre-travel max. mm | 2.05 | 4.3 | 4.3 | |
| Differential travel mm | 0.95 ^{min} | 2 ^{min} | 2 ^{min} | |
| Total travel max. mm | 2.7 | 5.75 | 5.75 | |

Unless mentioned specifically, the levers are mounted in the position illustrated on the dimension diagrams (standard mounting). We recommend that these levers are assembled in our workshops.

Other information

Mounting - Operation

Product adaptations



- Special levers
- Reinforced spring
- Approvals : UL - cUL