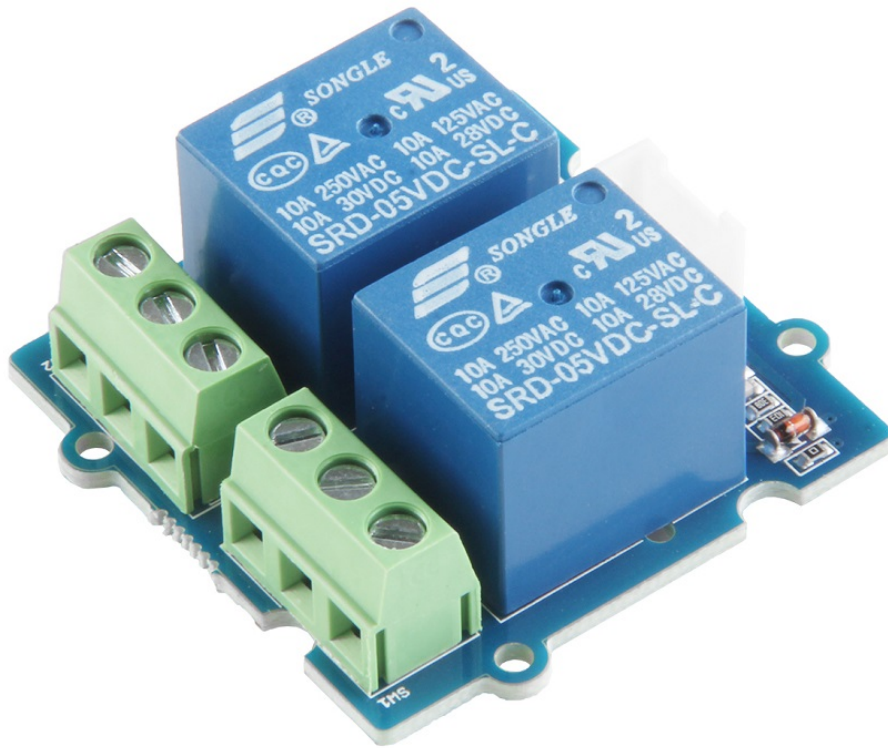


# Grove - 2-Channel SPDT Relay



The Grove - 2-Channel SPDT Relay has two single pole - double throw (SPDT) switches. It only requires low-voltage and low current signals to control those switches. Specifically, you can use 5V DC to control max.250V AC or 110V DC.

The best thing is that you can control the two channels separately. For instance, controlled by SIG1, you can connect the COM1 to NC1

or N01 as your wish. It is so convenient and reliable that it can be applied to massive products or projects which need to switch high voltage/high current devices.



[<https://www.seeedstudio.com/Grove-2-Channel-SPDT-Relay-p-3118.html>]

## Features

- High temperature resistant plastic shell
- High voltage load
- Low power consumption
- Long lasting

## Specification

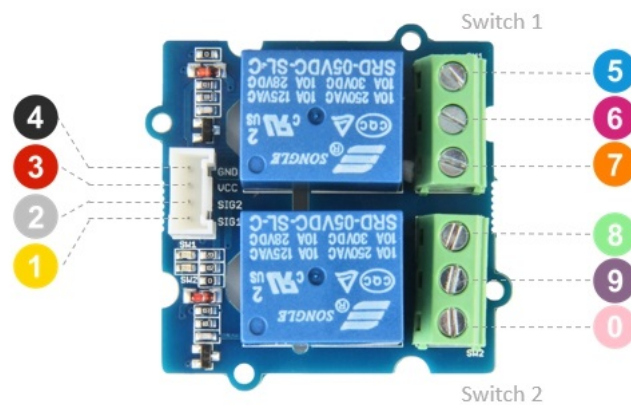
Item	Value
Operating voltage	5V
Nominal Coil Current	89.3mA
TUV Certification Load	10A 250VAC/ 10A 30VDC
UL Certification Load	10A 125VAC/ 10A 28VDC
Max. Allowable Voltage	250VAC/110VDC
Power Consumption	abt. 0.45W
Contact Resistance	100mΩ Max.
Insulation Resistance	100MΩ Min. (500VDC)
Max. ON/OFF Switching	30 operation/min
Ambient Temperature	-40°C to +85°C
Operating Humidity	45% to 85%RH
Contact Material	AgCdO
Input interface	Digital SIG1/SIG2
Output Port	3 Pins DIP Female Screw Terminal-Green

## Applications

- Domestic appliance
- office machine
- Remote control TV receiver
- monitor display
- audio equipment high rushing current use application

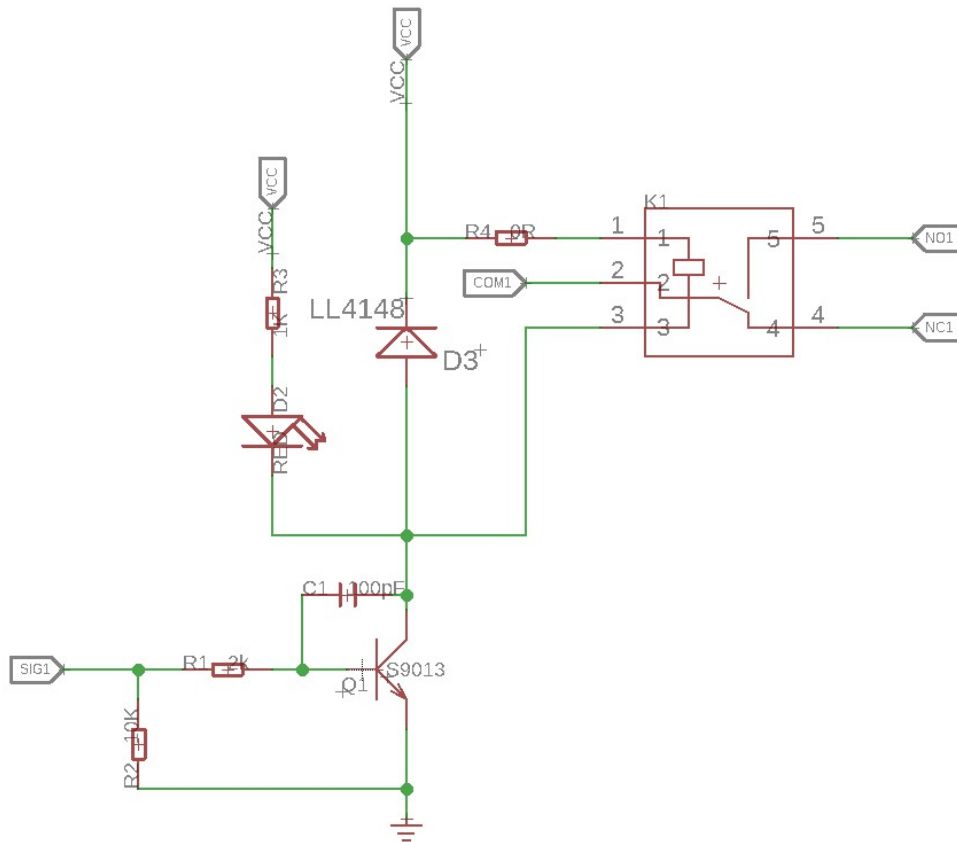
## Hardware Overview

### Pin Map



- |   |   |
|---|---|
| <ul style="list-style-type: none"> <li>4 GND: connect this module to the system GND</li> <li>3 VCC: you can use 5V for this module</li> <li>2 SIG2: control signal of switch2, high-NO2/low-NC2</li> <li>1 SIG1: control signal of switch1, high-NO1/low-NC1</li> </ul> | <ul style="list-style-type: none"> <li>5 NC1: one throw, connected to COM1 by default</li> <li>6 COM1: controlled by SIG1, connected to NC1 or NO1</li> <li>7 NO1: the other throw of switch1</li> <li>8 NC2: one throw, connected to COM2 by default</li> <li>9 COM2: controlled by SIG2, connected to NC2 or NO2</li> <li>10 NO2: the other throw of switch2</li> </ul> |
|---|---|

## Schematic



**K1** is the Relay module, there is a coil between **pin1** and **pin3** of K1. Defaultly, the **COM1** will connect to **NC1**. If the pin3 of K1 connected to the grand, then this coil will be 'closed', so the **COM1** will connect to **NO1**.

To open this coil, it requires about 90mA, however, normally the GPIO pin of Arduino only can afford 20mA(40mA max.). Therefore, we use a NPN transistors **S9013** [https://files.seeedstudio.com/wiki/Grove-2-Channel\_SPDT\_Relay/res/Transistors\_NPN\_25V-500mA.pdf] which can provide 500mA.

The **SIG1** is pulled down by the 10k R2, if there is no signal, the 'Gate' of **Q1** will be 0v, and Q1 is turned off, so that the K1 will be 'opened'. If **SIG1** becomes 5v, then the Q1 will be turned on. **Pin3** of k1 will be connected to the GND of the system, for the K1 there will

be 5V between **pin3** and **pin1**, so the coil will be 'closed', and the **COM1** will connect to **N01**

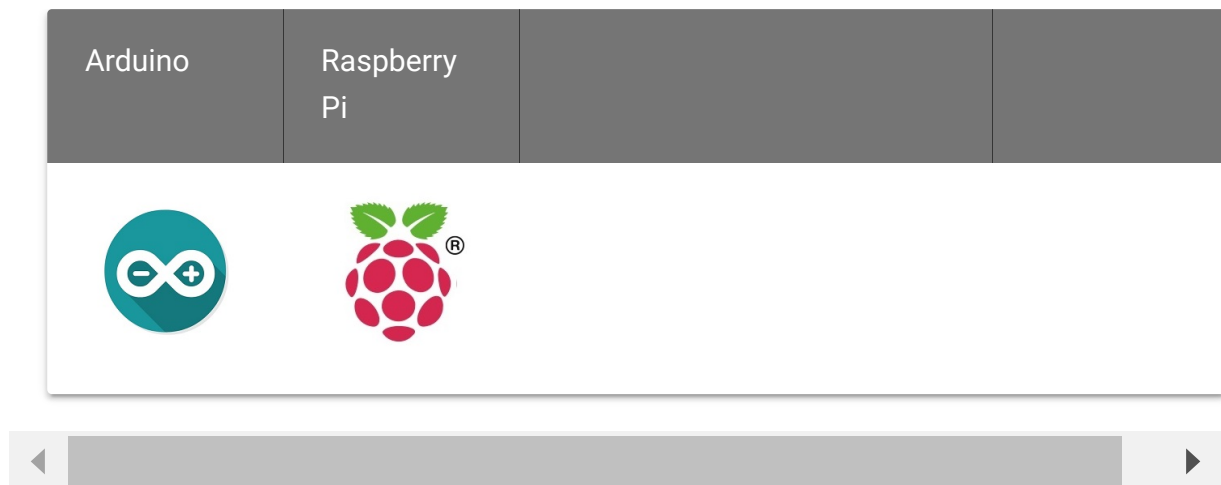


### Tip

The **D3** is a **flyback diode(kickback diode)**

[[https://en.wikipedia.org/wiki/Flyback\\_diode](https://en.wikipedia.org/wiki/Flyback_diode)]. A flyback diode is a diode connected across an inductor used to eliminate flyback, which is the sudden voltage spike seen across an inductive load when its supply current is suddenly reduced or interrupted. It is used in circuits in which inductive loads are controlled by switches, and in switching power supplies and inverters.

## Platforms Supported



### Caution

The platforms mentioned above as supported is/are an indication of the module's software or theoretical compatibility. We only provide software library or code examples for Arduino platform in most cases. It is not possible to provide software library / demo code for all possible MCU platforms. Hence, users have to write their own software library.

## Getting Started

# Play With Arduino

## Hardware

### Materials required

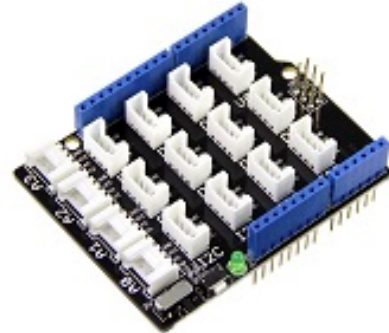
Seeeduino V4.2



[Get One Now](#)

[<https://www.seeedstudio.com/Seeeduino-V4.2-p-2517.html>]

Base Shield



[Get One Now](#)

[<https://www.seeedstudio.com/Base-Shield-V2-p-1378.html>]



#### Note

**1** Please plug the USB cable gently, otherwise you may damage the port. Please use the USB cable with 4 wires inside, the 2 wires cable can't transfer data. If you are not sure about the wire you have, you can click [here](https://www.seeedstudio.com/Micro-USB-Cable-48cm-p-1475.html) [<https://www.seeedstudio.com/Micro-USB-Cable-48cm-p-1475.html>] to buy

**2** Each Grove module comes with a Grove cable when you buy. In case you lose the Grove cable, you can click [here](https://www.seeedstudio.com/Grove-Universal-4-Pin-Buckled-20cm-Cable-%285-PCs-pack%29-p-936.html) [<https://www.seeedstudio.com/Grove-Universal-4-Pin-Buckled-20cm-Cable-%285-PCs-pack%29-p-936.html>] to buy.

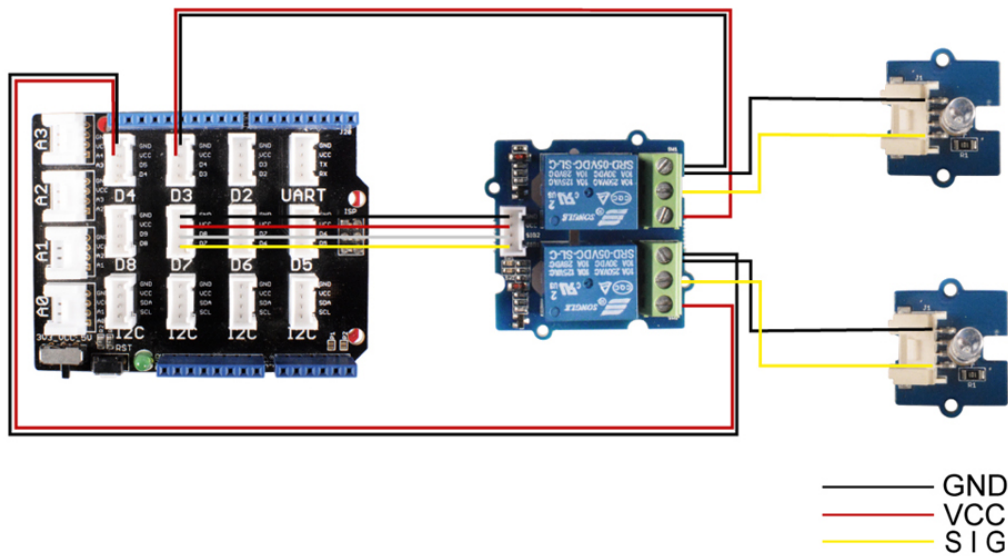
- **Step 1.** Connect the **SIG** pin of the Grove-LED to the **COM** port of the Grove - 2-Channel SPDT Relay. Connect the **GND** pin of the Grove-LED to the **GND** of the Base Shield.
- **Step 2.** Connect the **NO** port of the Grove - 2-Channel SPDT Relay to the **5V** of the Base Shield. Connect the **NC** port of the Grove - 2-Channel SPDT Relay to the **GND** of the Base Shield.

**Tip**

Step 1. and Step 2. Connect the Grove LED GND to the system GND and the SIG to the COM port of the Relay. If the COM connect to NO(5v), the LED will turn on, and if the COM connect to NC(0V), the LED will turn of. We use two LEDs in this wiki, please make sure LED<sub>1</sub> for the Switch<sub>1</sub>, and the LED<sub>2</sub> for the Switch<sub>2</sub>.

- **Step 3.** Connect the Grove - 2-Channel SPDT Relay to the **D7** port of the Base Shield.
- **Step 4.** Plug Grove - Base Shield into Seeeduino.
- **Step 5.** Connect Seeeduino to PC via a USB cable.





## Software



### Attention

If this is the first time you work with Arduino, we strongly recommend you to see [Getting Started with Arduino](https://wiki.seeedstudio.com/Getting_Started_with_Arduino/) [https://wiki.seeedstudio.com/Getting\_Started\_with\_Arduino/] before the start.

- **Step 1.** Open the Arduino IDE and create a new file, then copy the following code into the new file.

```

1  #include <Arduino.h>
2  uint8_t channel1 = 7;
3  uint8_t channel2 = 8;
4  void setup() {
5      pinMode(channel1, OUTPUT);
6      pinMode(channel2, OUTPUT);
7  }
8  void loop() {
9      digitalWrite(channel1, HIGH);

```



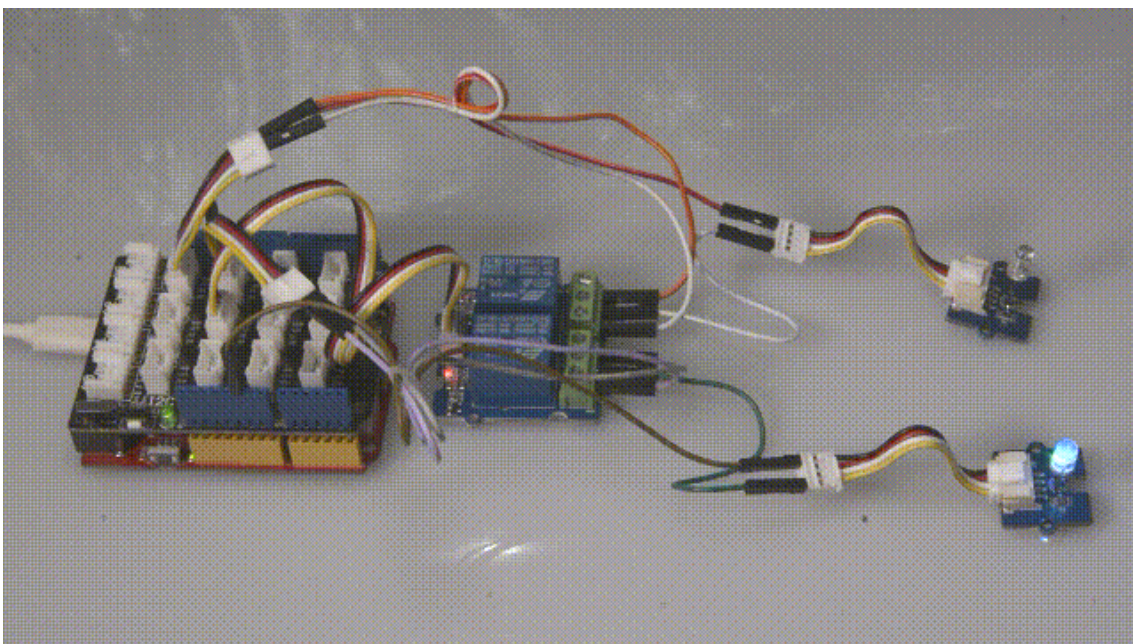
```
10  digitalWrite(channel2, LOW);
11  delay(2000);
12  digitalWrite(channel1, LOW);
13  digitalWrite(channel2, HIGH);
14  delay(2000);
15  }
```

- **Step 2.** Upload the demo. If you do not know how to upload the code, please check [How to upload code](https://wiki.seeedstudio.com/Upload_Code/) [https://wiki.seeedstudio.com/Upload\_Code/].



### Success

You will see the on-board LEDs alternately lit and extinguished, the same with the two Grove - LEDs.



Schematic Online Viewer



## Resources

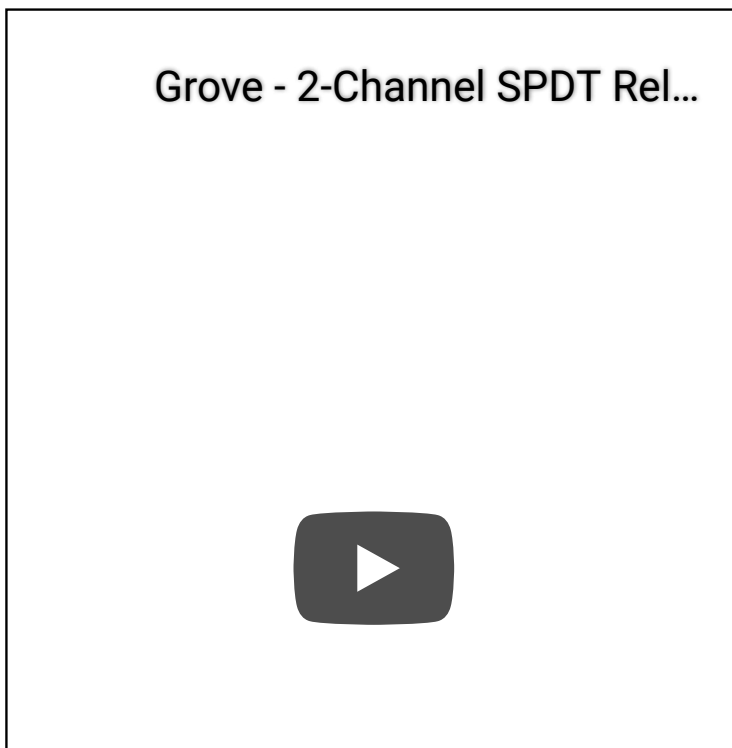
- **[Zip]** [Grove-2-Channel SPDT Relay eagle files](https://files.seeedstudio.com/wiki/Grove-2-Channel_SPDT_Relay/res/Grove-2-Channel_SPDT_Relay.zip)  
[https://files.seeedstudio.com/wiki/Grove-2-Channel\_SPDT\_Relay/res/Grove-2-Channel\_SPDT\_Relay.zip]
- **[PDF]** [Datasheet of SRD 05VDC-SL-C Relay](https://files.seeedstudio.com/wiki/Grove-2-Channel_SPDT_Relay/res/SRD_05VDC-SL-C.pdf)  
[https://files.seeedstudio.com/wiki/Grove-2-Channel\_SPDT\_Relay/res/SRD\_05VDC-SL-C.pdf]

- **[PDF]** [Datasheet of S9013](#)

[[https://files.seeedstudio.com/wiki/Grove-2-Channel\\_SPDT\\_Relay/res/Transistors\\_NPN\\_25V-500mA.pdf](https://files.seeedstudio.com/wiki/Grove-2-Channel_SPDT_Relay/res/Transistors_NPN_25V-500mA.pdf)]

## Project

This is the introduction Video of this product, simple demos, you can have a try.



## Tech Support

Please do not hesitate to submit the issue into our [forum](#) [<https://forum.seeedstudio.com/>].



[[https://www.seeedstudio.com/act-4.html?utm\\_source=wiki&utm\\_medium=wikibanner&utm\\_campaign=newproducts](https://www.seeedstudio.com/act-4.html?utm_source=wiki&utm_medium=wikibanner&utm_campaign=newproducts)]