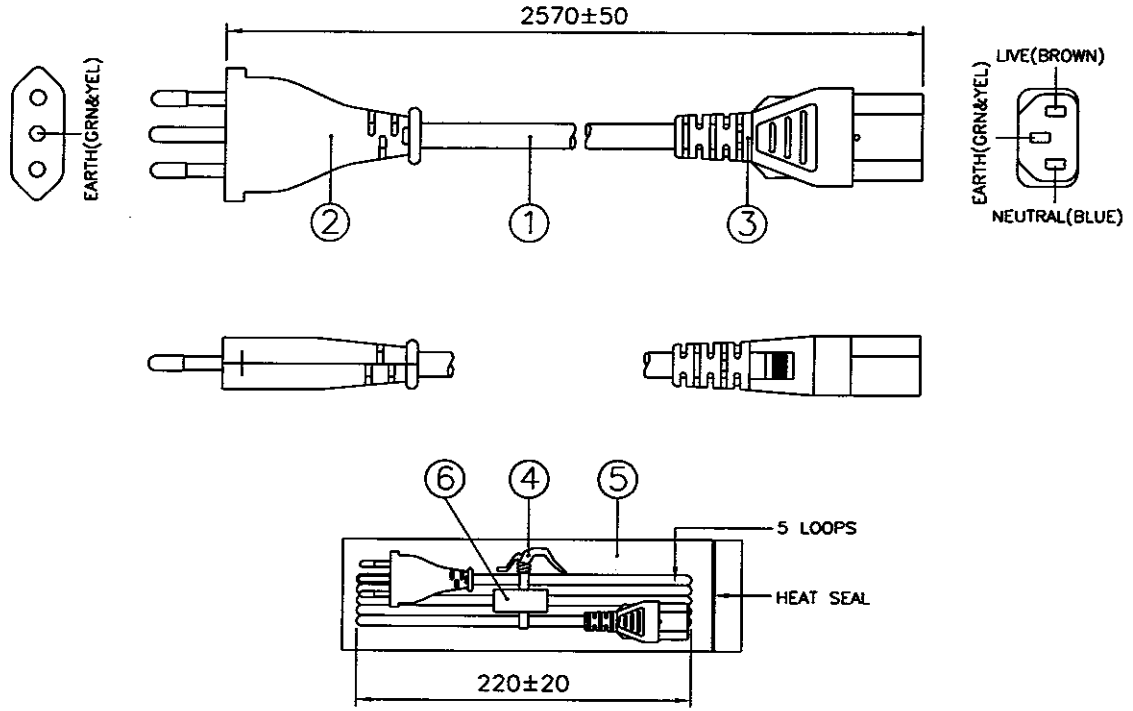


DRAWING NUMBER:
HG02-066-05

CABLE CUTTING
CABLE SOURCE :
1. BAO HING(SHENZHEN).
2. TONG YUAN(SHENZHEN).

ASSEMBLY :



- Notes :
1. ALL DIMENSIONS IN mm.
 2. PLUG AND CONNECTOR MARKING : REFER TO MARKING DRAWING NO. : VP-0013 AND VC-0002C RESPECTIVELY.
 3. PLUG AND CONNECTOR DETAILS : REFER TO PRODUCT DRAWING NO. : P-0029 AND C-0087 RESPECTIVELY.
 4. LABEL DETAILS : REFER TO LABEL DRAWING NO. : VL-0124.
 5. THIS PART CAN BE MANUFACTURED AT ANY LOCATION WHICH HAS SAFETY APPROVAL.

REV.	ECN REF. NO.	DESCRIPTION	DATE
1	HG02-066-05	INITIAL RELEASE.	18/02/05

FOR ENQUIRY ONLY
NOT FOR MASS PRODUCTION

APPROVAL BY : _____
DATE : _____

6	PRINTED LABEL	VL-0124	1
5	114MMX330MMX0.05MM PE BAG	904029	1
4	8" PE TIE WHT	6310063	1
3	IP60G NL7976B BLK	4100115	-
	MOLDED CONNECTOR V1625 (10A 250V)	V1625	1
2	IP60G NL7976B BLK	4100115	-
	MOLDED PLUG MP231 (10A 250V)	MP231	1
1	H05VV-F 3X1.00 BLK PVC LEAD FREE	1210365	-

S/N	DESCRIPTION	ITEM NUMBER	QTY
TITLE : ITALIAN POWER SUPPLY CORDSET (ROHS FR)		PAGE : 1/1	
CUSTOMER : VPE/FARNELL COMPONENTS		HG02-066-05	
CUSTOMER PART NUMBER : X-525560A		REVISION	
F/G CODE : - - - -		1	

SALES :	QA :	ENGRG :	CHECKED BY :	DRAWN BY :	Volet (Asia) Pte Ltd <small>Confidential property of Volet. Information contained herein shall not be disclosed to others, reproduced or used for any other purposes except as authorized in writing by an authorized official of volet asia.</small>
DATE :	DATE :	DATE :	DATE :	DATE :	
		18/2/05	18/2/05	18/02/05	