

Copy and face milling cutter heads

For milling cutter indexable inserts RD..1003., RD..12T3., RD..1604..

ATORN[®]

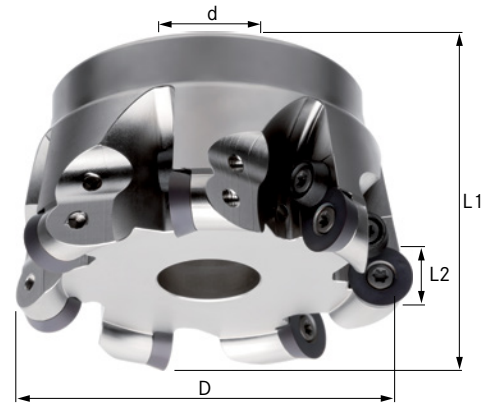
Application

For face milling and copy milling, light and medium chipping

Version

- Wear-resistant, nickel-plated version
- With internal cooling
- Clamping screw tightening torque (indexable insert) M3.5 = 3.5 Nm, M4.5 = 7.6 Nm

Art. No.	16035 340
Max. cutting edge diameter	42 mm
Length	44 mm
Bore diameter	16 mm
max. ap	2.5 mm
Number of cutting edges	6 PCS
Suitable indexable insert no.	32



EAN-Code

4050293320060

