

Copy and face milling cutter heads

For milling cutter indexable inserts RD..1003., RD..12T3., RD..1604..

ATORN[®]

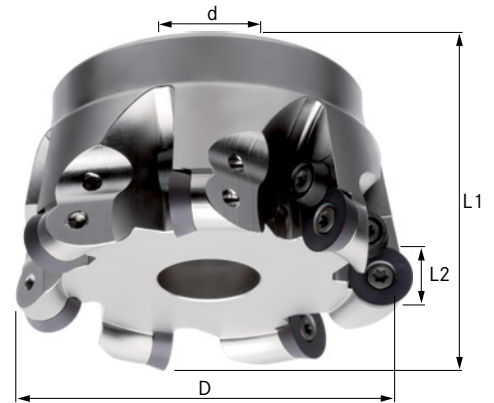
Application

For face milling and copy milling, light and medium chipping

Version

- Wear-resistant, nickel-plated version
- With internal cooling
- Clamping screw tightening torque (indexable insert) M3.5 = 3.5 Nm, M4.5 = 7.6 Nm

Art. No.	16035 367
Max. cutting edge diameter	66 mm
Length	50 mm
Bore diameter	27 mm
max. ap	4 mm
Number of cutting edges	6 PCS
Suitable indexable insert no.	33



EAN-Code

405029332009 1