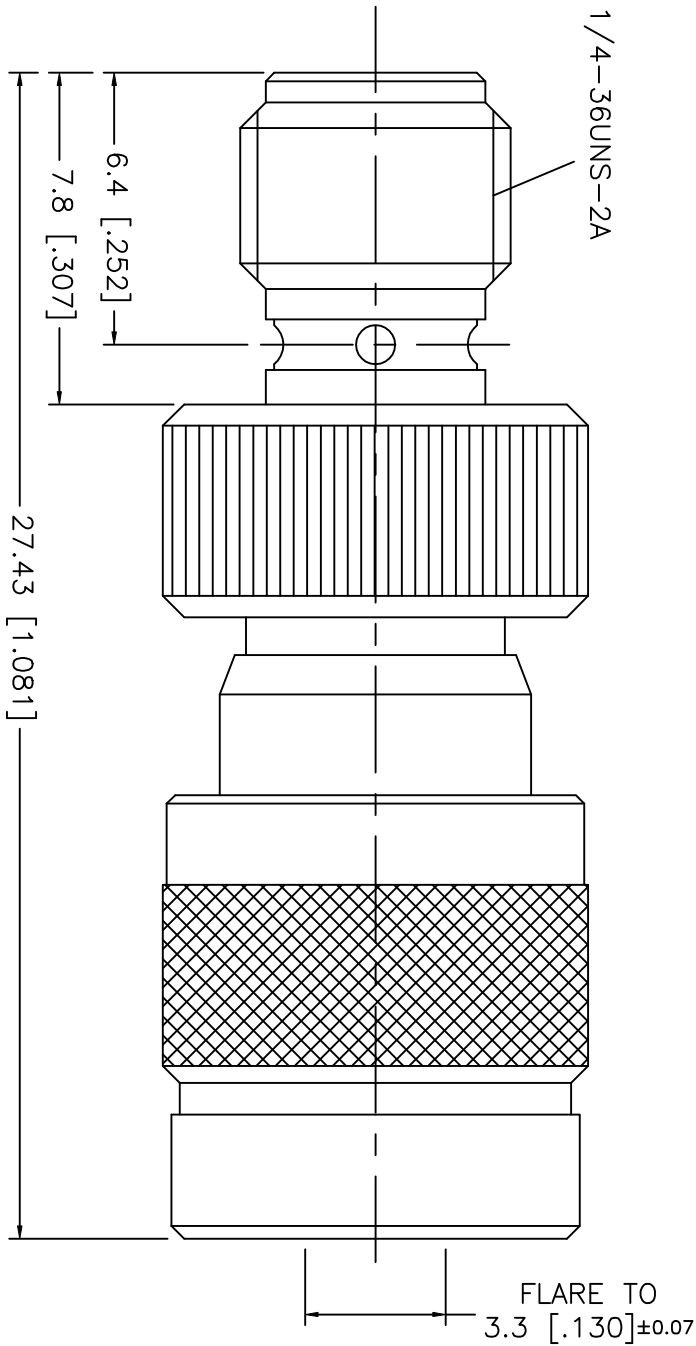


REV.	DATE	DESCRIPTION
NC	02/19/02	INITIAL RELEASE



8	SHELL	BRASS	NICKEL	UNLESS OTHERWISE SPECIFIED DIMENSIONS ARE IN MILLIMETERS DIMENSIONS IN [] ARE IN INCHES FOR CUSTOMER REFERENCE ONLY UNLESS OTHERWISE SPECIFIED TOLERANCES FOR MILLIMETERS ARE: 0.5-6 = ± 0.2 6-30 = ± 0.4 30-120 = ± 0.6 120-315 = ± 1 315-1000 = ± 1.6 1000-2000 = ± 2.4	APPROVALS DRAWN G.R.S. DATE 02/19/02 CHECKED ISSUED	TITLE SMA JACK TO 1.0/2.3 PLUG ADAPTOR	SIZE A FROM NO. 99001 DWG. NO. 242179.DWG	SCALE NA PART NO. 242179	SHEET 1 OF 1
7	SPRING	BER. COPPER	NATURAL						
6	BODY	BRASS	NICKEL						
5	CONTACT PIN	BER. COPPER	GOLD						
4	INSULATOR	TEFLON	NATURAL						
3	INSULATOR	TEFLON	NATURAL						
2	OUT CONTACT	PHOS. BRONZE	GOLD						
1	HOUSING	BRASS	GOLD						
	DESCRIPTION	MATERIAL	FINISH	DO NOT SCALE DRAWING					REV. NC

Amphenol - Connex
CONNECTOR CORPORATION