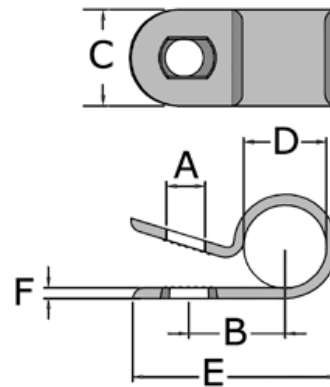


Cable Clamp -40...+85 °C

natural Polyamide

Cable Clamps, Plastic, RND



SPECIFICATION:

Temperature range	-40...+85 °C
Colour	natural
Material	Polyamide

PRODUCT RANGE:

Art. Nr.	A	B	C	D	E	F
RND 475-00436	4.8 mm	8 mm	9.6 mm	3.1 mm	16.9 mm	1.05 mm
RND 475-00437	4.8 mm	9.2 mm	9.6 mm	5 mm	18.5 mm	1.05 mm
RND 475-00438	4.6 mm	10.4 mm	10.1 mm	6.4 mm	20 mm	1.10 mm
RND 475-00439	5 mm	11.2 mm	10 mm	7.9 mm	22.6 mm	1.15 mm
RND 475-00440	5 mm	12.5 mm	12.3 mm	9.5 mm	26.6 mm	1.40 mm
RND 475-00441	5 mm	14.8 mm	12.2 mm	12.7 mm	30.3 mm	1.40 mm
RND 475-00442	5 mm	15.8 mm	14.4 mm	15.8 mm	32.6 mm	1.40 mm
RND 475-00443	4.8 mm	18 mm	11.8 mm	19.4 mm	37.3 mm	1.40 mm
RND 475-00444	5 mm	21 mm	12 mm	25.4 mm	43.4 mm	1.40 mm