

Sealey Group, Kempson Way, Suffolk Business Park, Bury St Edmunds, Suffolk. IP32 7AR



01284 757500



01284 703534



sales@sealey.co.uk



www.sealey.co.uk

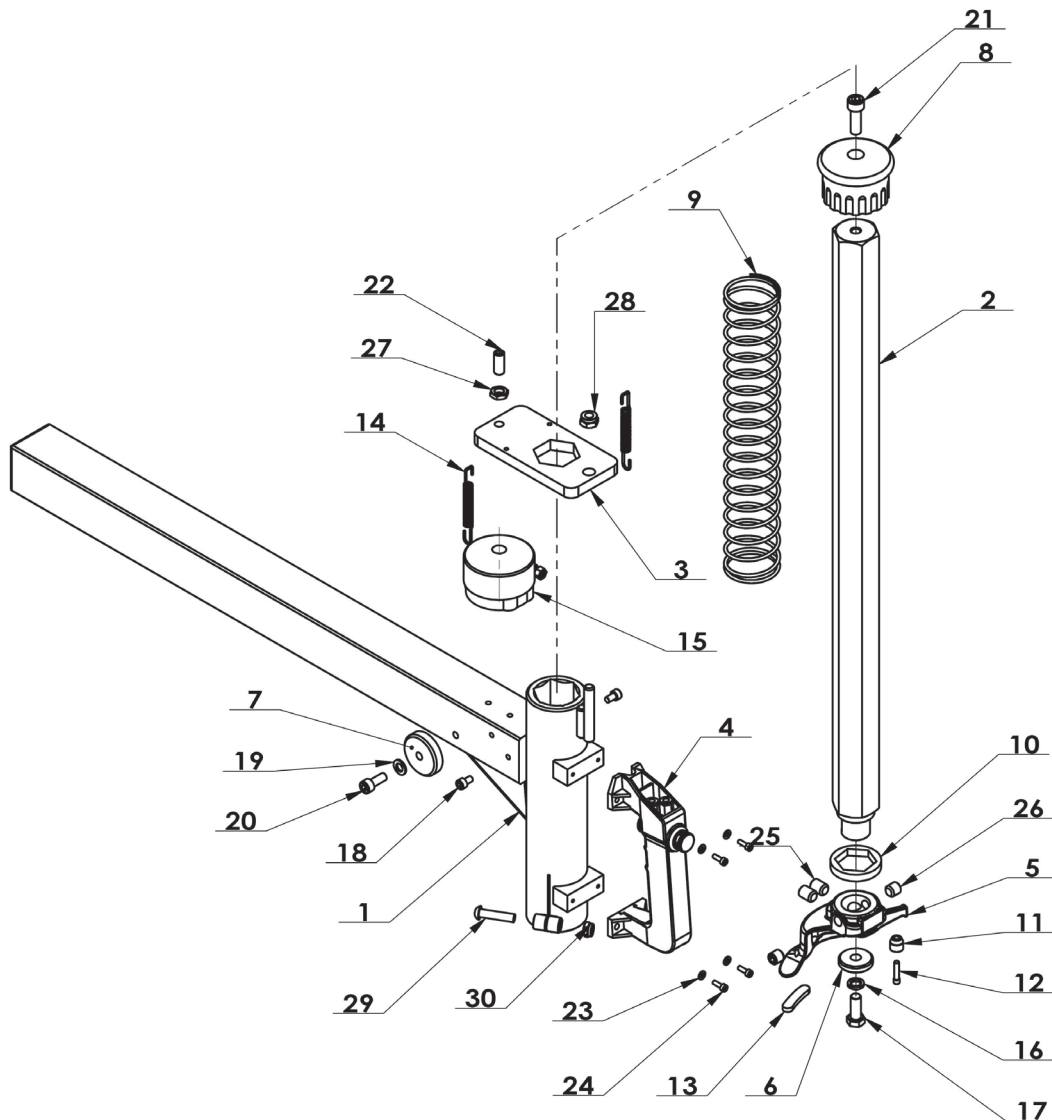


Parts Information:
Tyre Changer - Automatic
Model No: TC10

Item	Part No.	Description
1	TC10.01	BODY
2	TC10.02	COLUMN
3	TC10.03	HORIZONTAL ARM ASS'Y
4	TC10.04	WASHER
5	TC10.05	RUBBER FOOT
6	TC10.06	COVER
7	TC10.07	SCREW M14x42
8	TC10.08	PRESS COVER
9	TC10.09	STOP-UP
10	TC10.10	RUBBER WASHER
11	TC10.11	T-PLUG
12	TC10.12	PLUG (C)
13	TC10.13	PLUG (A)
14	TC10.14	JOINT SEALING GASKET
15	TC10.15	PLUG (B)
16	TC10.16	PROTECTIVE COVER
17	TC10.17	PIN SHAFT
18	TC10.18	PULL-OUT SHAFT
19	TC10.19	CONNECTION ROD
20	TC10.20	BOLT
21	TC10.21	WASHER
22	TC10.22	ROTATION SHAFT
23	TC10.23	WASHER
24	TC10.24	PRESS SPRING
25	TC10.25	STOP-UP
26	TC10.26	GUN HOOK
27	TC10.27	PROTECTIVE COVER
28	TC10.28	SIDE PANEL
29	TC10.29	WASHER
30	TC10.30	INNER HEX FLAT SET SCREW
31	TC10.31	ROTATING SPACER
32	TC10.32	SUPPORT SHAFT
33	TC10.33	CUSHION
34	TC10.34	RUBBER WASHER
35	TC10.35	PROTECTIVE HOOD LOCK BUSHING
36	TC10.36	PROTECTIVE COVER
37	TC10.37	PROTECTIVE COVER
38	TC10.38	AIR HOSE CHUTE
39	TC10.39	QUADRIC LOCK PLATE
40	TC10.40	LOCKING CYLINDER ASS'Y
41	TC10.41	RIM SUPPORT
42	TC10.42	PROTECTION COVER
43	TC10.43	BEAD BREAKER
44	TC10.44	BEAD BREAKER BLADE
45	TC10.45	PEDAL ASS'Y
46	TC10.46	BELT (A25)
47	TC10.47	MOTOR
48	TC10.48	CABLE
49	TC10.49	AIR REGULATOR ASS'Y
50	TC10.50	GEARBOX ASS'Y
51	TC10.51	BEAD BREAKER CYLINDER ASS'Y
52	TC10.52	INFLATION GUN ASS'Y
53	TC10.53	ROTATING UNION
54	TC10.54	CLAMP RING

Item	Part No.	Description
55	TC10.55	PULL-OUT CYLINDER D80x80
56	TC10.56	TURNTABLE ASS'Y
57	TC10.57	MALE STRAIGHT
58	TC10.58	ELBOW (FEMALE)
59	TC10.59	UNION
60	TC10.60	Y-SHAPE INSERT FITTING
61	TC10.61	FLAT KEY
62	TC10.62	HEX NUT M10
63	TC10.63	HEX NUT M6
64	TC10.64	HEX NUT M8
65	TC10.65	HEX BOLT M8x35
66	TC10.66	HEX BOLT M10x160
67	TC10.67	HEX BOLT M10x200
68	TC10.68	HEX BOLT M10x50
69	TC10.69	HEX BOLT M16x100
70	TC10.70	HEX BOLT M16x25
71	TC10.71	HEX BOLT M5x16
72	TC10.72	HEX BOLT M6x30
73	TC10.73	HEX BOLT M8x20
74	TC10.74	HEX BOLT M8x45
75	TC10.75	HEX NUT M14 (THIN)
76	TC10.76	HEX NUT M8 (THIN)
77	TC10.77	HEX NUT M10 (THIN)
78	TC10.78	INNER HEX CYLINDRICAL SCREW M10x30
79	TC10.79	INNER HEX CYLINDRICAL SCREW M12x30
80	TC10.80	INNER HEX CYLINDRICAL SCREW M6x10
81	TC10.81	INNER HEX CYLINDRICAL SCREW M6x12
82	TC10.82	INNER HEX CYLINDRICAL SCREW M6x16
83	TC10.83	INNER HEX CYLINDRICAL SCREW M6x20
84	TC10.84	INNER HEX CYLINDRICAL SCREW M8x20
85	TC10.85	INNER HEX CYLINDRICAL SCREW M8x30
86	TC10.86	INNER HEX FLAT SET SCREW M12x12
87	TC10.87	INNER HEX FLAT SET SCREW M8x16
88	TC10.88	CROSS PANHEAD SCREW M6x40
89	TC10.89	PREVAILING TORQUE TYPE HEX LOCK NUT M10
90	TC10.90	PREVAILING TORQUE TYPE HEX LOCK NUT M14
91	TC10.91	PREVAILING TORQUE TYPE HEX LOCK NUT M16
92	TC10.92	NUT M18x1.5
93	TC10.93	RING
94	TC10.94	SHAFT RETAINING RING
95	TC10.95	SPRING WASHER
96	TC10.96	SPRING WASHER
97	TC10.97	FLAT WASHER
98	TC10.98	FLAT WASHER
99	TC10.99	FLAT WASHER
100	TC10.100	FLAT WASHER
101	TC10.101	FLAT WASHER
102	TC10.102	SPRING WASHER
103	TC10.103	LARGE WASHER
104	TC10.104	OIL CUP M6
105	TC10.105	RUBBER COVER





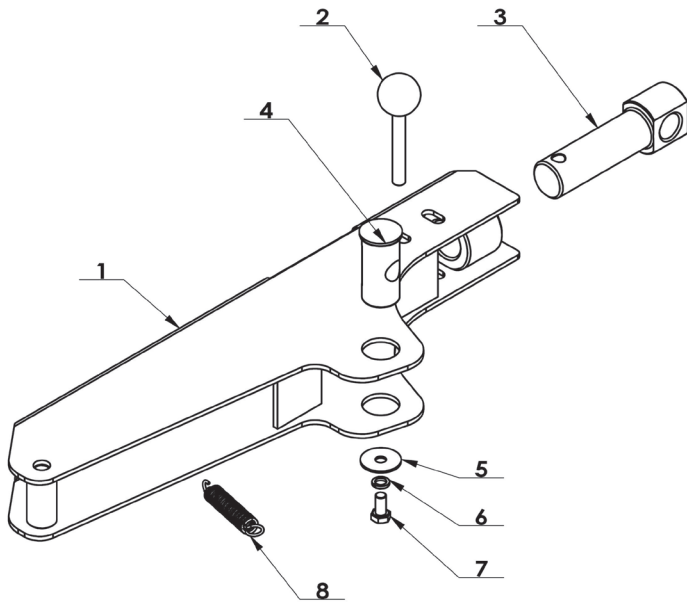
Item	Part No.	Description
1	TC10.03-01	HORIZONTAL ARM
2	TC10.03-02	HEXANGULAR SHAFT
3	TC10.03-03	HEXANGULAR LOCK PLATE
4	TC10.03-04	HANDLE CONTROL VALVE
5	TC10.03-05	DEMOUNTING HEAD
6	TC10.03-06	PRESS WASHER
7	TC10.03-07	POSITIONING BLOCK
8	TC10.03-08	VERTICAL SHAFT COVER
9	TC10.03-09	VERTICAL SHAFT SPRING
10	TC10.03-10	SHOCK ABSORBER WASHER
11	TC10.03-11	ROLLER
12	TC10.03-12	ROLLER BOLT
13	TC10.03-13	TAIL WASHER
14	TC10.03-14	SPRING
15	TC10.03-15	LOCKING CYLINDER ASS'Y

Item	Part No.	Description
16	TC10.03-16	SPRING WASHER
17	TC10.03-17	HEX BOLT M10x25
18	TC10.03-18	HEX CYLINDRICAL SCREW M6x10
19	TC10.03-19	FLAT WASHER
20	TC10.03-20	HEX CYLINDRICAL SCREW M8x20
21	TC10.03-21	HEX CYLINDRICAL SCREW M10x30
22	TC10.03-22	FLAT SET SCREW M10x1x25
23	TC10.03-23	FLAT WASHER
24	TC10.03-24	HEX CYLINDRICAL SCREW M4x12
25	TC10.03-25	FLAT SET SCREW M12x16
26	TC10.03-26	FLAT SET SCREW M12x12
27	TC10.03-27	HEX NUT M10x1.0 (THIN)
28	TC10.03-28	PREVAILING TORQUE HEX LOCK NUT M10
29	TC10.03-29	HEX CYLINDRICAL HEAD SCREW M8x35
30	TC10.03-30	PREVAILING TORQUE HEX LOCK NUT M8

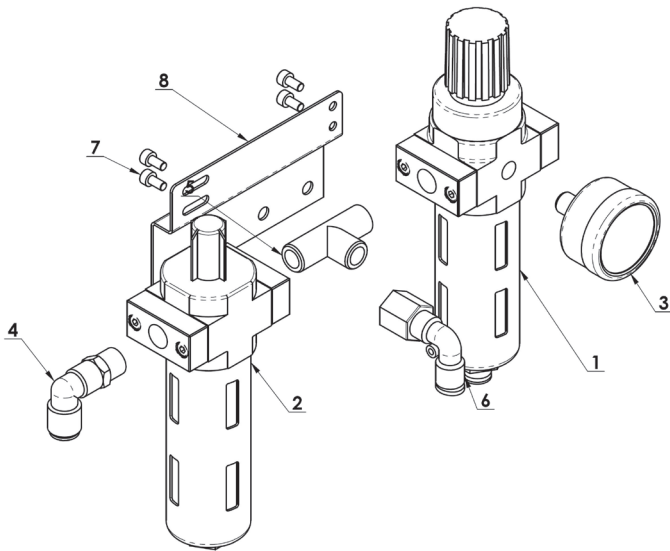
NOTE: It is our policy to continually improve products and as such we reserve the right to alter data, specifications and component parts without prior notice.

IMPORTANT: No liability is accepted for incorrect use of product.

WARRANTY: Guarantee is 12 months from purchase date, proof of which will be required for any claim.



Item	Part No.	Description
1	TC10.43-01	BEAD BREAKER
2	TC10.43-02	PIN SHAFT
3	TC10.43-03	TURN ROD
4	TC10.43-04	CONNECT ROD
5	TC10.43-05	PAD
6	TC10.43-06	SPRING WASHER
7	TC10.43-07	HEX BOLT M10x20
8	TC10.43-08	SPRING

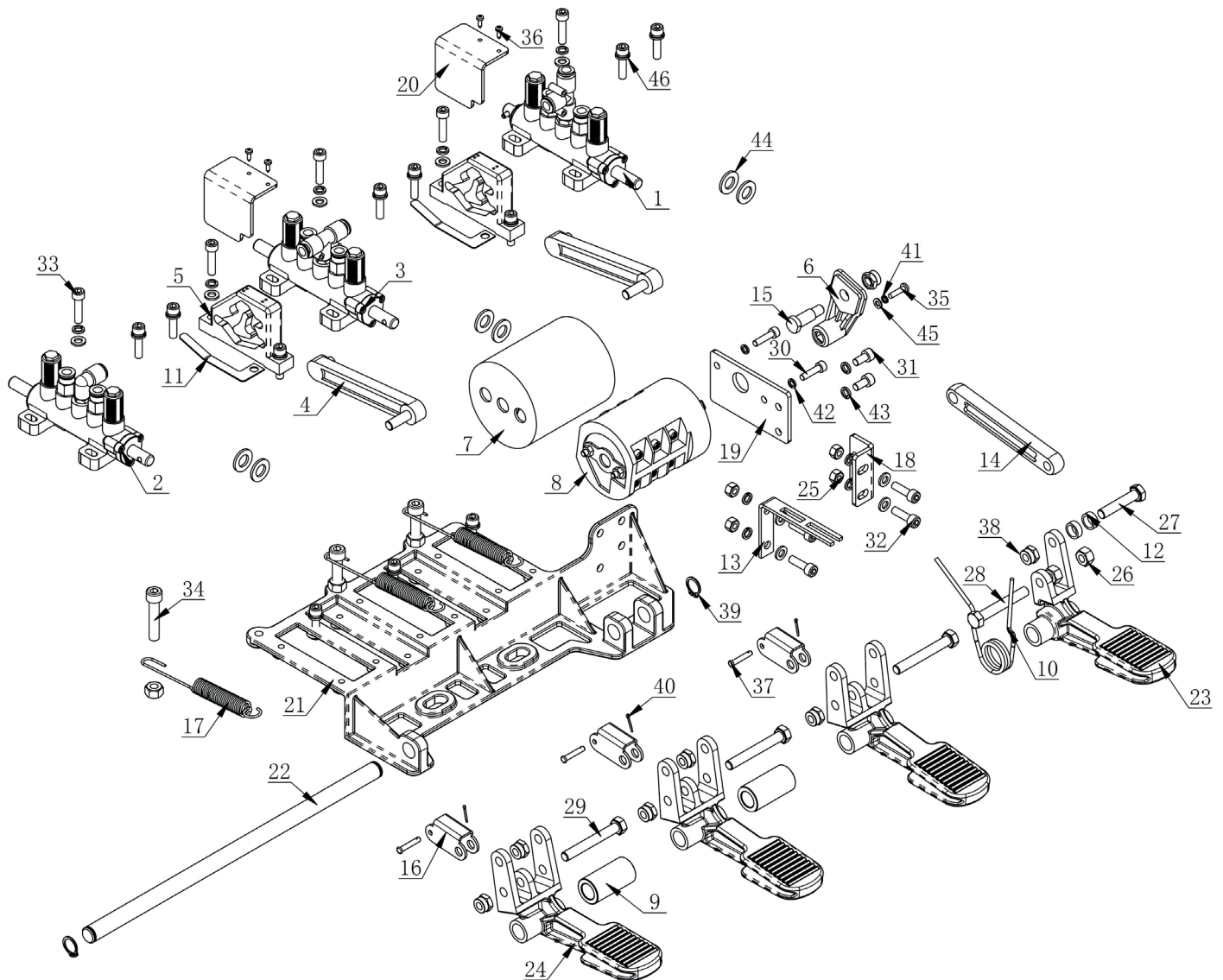


Item	Part No.	Description
1	TC10.49-01	PRESSURE ADJUST VALVE & WATER CUP
2	TC10.49-02	OIL CUP
3	TC10.49-03	PRESSURE GAUGE
4	TC10.49-04	INSERT ELBOW 1/4"
5	TC10.49-05	UNION (FEMALE)
6	TC10.49-06	INSERT ELBOW 1/4"
7	TC10.49-07	HEX CYLINDRICAL SCREW M4x8
8	TC10.49-08	AIR REGULATOR BRACKET

NOTE: It is our policy to continually improve products and as such we reserve the right to alter data, specifications and component parts without prior notice.

IMPORTANT: No liability is accepted for incorrect use of product.

WARRANTY: Guarantee is 12 months from purchase date, proof of which will be required for any claim.



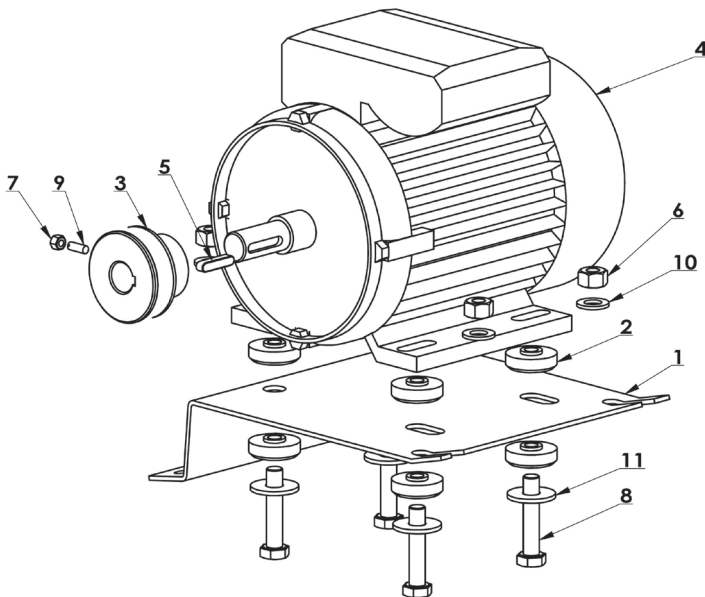
NOTE: It is our policy to continually improve products and as such we reserve the right to alter data, specifications and component parts without prior notice.

IMPORTANT: No liability is accepted for incorrect use of product.

WARRANTY: Guarantee is 12 months from purchase date, proof of which will be required for any claim.

Item	Part No.	Description
1	TC10.45-01	VALVE
2	TC10.45-02	VALVE
3	TC10.45-03	VALVE
4	TC10.45-04	CAM CONNECTING ROD
5	TC10.45-05	CAM
6	TC10.45-06	REVERSE LEVER
7	TC10.45-07	SWITCH LEVER
8	TC10.45-08	SWITCH
9	TC10.45-09	SPACER
10	TC10.45-10	TORSION SPRING
11	TC10.45-11	SPRING
12	TC10.45-12	SPACER
13	TC10.45-13	TORSION SPRING BRACKET
14	TC10.45-14	CONNECTION ROD
15	TC10.45-15	ROTATION SHAFT
16	TC10.45-16	CONNECTION PART
17	TC10.45-17	SPRING
18	TC10.45-18	SWITCH SUPPORT
19	TC10.45-19	SWITCH SUPPORT
20	TC10.45-20	CAM BAFFLE PLATE
21	TC10.45-21	PEDAL SUPPORT
22	TC10.45-22	BOTTOM SHAFT
23	TC10.45-23	PEDAL

Item	Part No.	Description
24	TC10.45-24	PEDAL
25	TC10.45-25	HEX NUT M6
26	TC10.45-26	HEX NUT M8
27	TC10.45-27	HEX BOLT M8x40
28	TC10.45-28	HEX BOLT M8x55
29	TC10.45-29	HEX BOLT M8x60
30	TC10.45-30	HEX CYLINDRICAL SCREW M5x20
31	TC10.45-31	HEX CYLINDRICAL SCREW M6x12
32	TC10.45-32	HEX CYLINDRICAL SCREW M6x20
33	TC10.45-33	SCREW
34	TC10.45-34	HEX CYLINDRICAL SCREW M8x40
35	TC10.45-35	CROSS PANHEAD SCREW M4x16
36	TC10.45-36	CROSS PANHEAD TAPPING SCREW ST2.9x9.5
37	TC10.45-37	PIN SHAFT
38	TC10.45-38	NUT M8
39	TC10.45-39	RING
40	TC10.45-40	SLOTTED PIN (1.6x10)
41	TC10.45-41	SPRING WASHER
42	TC10.45-42	SPRING WASHER
43	TC10.45-43	SPRING WASHER
44	TC10.45-44	FLAT WASHER
45	TC10.45-45	FLAT WASHER
46	TC10.45-46	FLAT WASHER

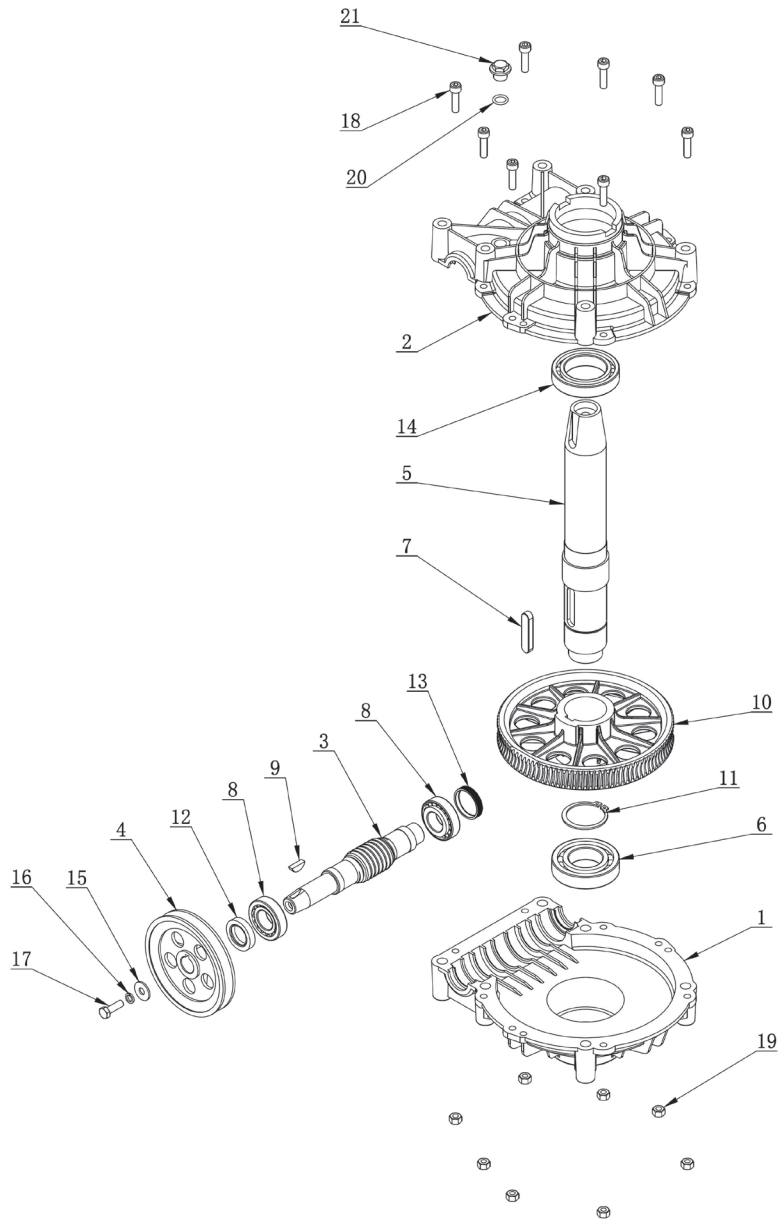


Item	Part No.	Description
1	TC10.47-01	MOTOR SUPPORT
2	TC10.47-02	RUBBER WASHER
3	TC10.47-03	MOTOR BELT PULLEY
4	TC10.47-04	MOTOR
5	TC10.47-05	KRY (6x6x28)
6	TC10.47-06	NUT M10
7	TC10.47-07	NUT M5
8	TC10.47-08	BOLT M10x50
9	TC10.47-09	SCREW M5x16
10	TC10.47-10	FLAT WASHER
11	TC10.47-11	WASHER

NOTE: It is our policy to continually improve products and as such we reserve the right to alter data, specifications and component parts without prior notice.

IMPORTANT: No liability is accepted for incorrect use of product.

WARRANTY: Guarantee is 12 months from purchase date, proof of which will be required for any claim.



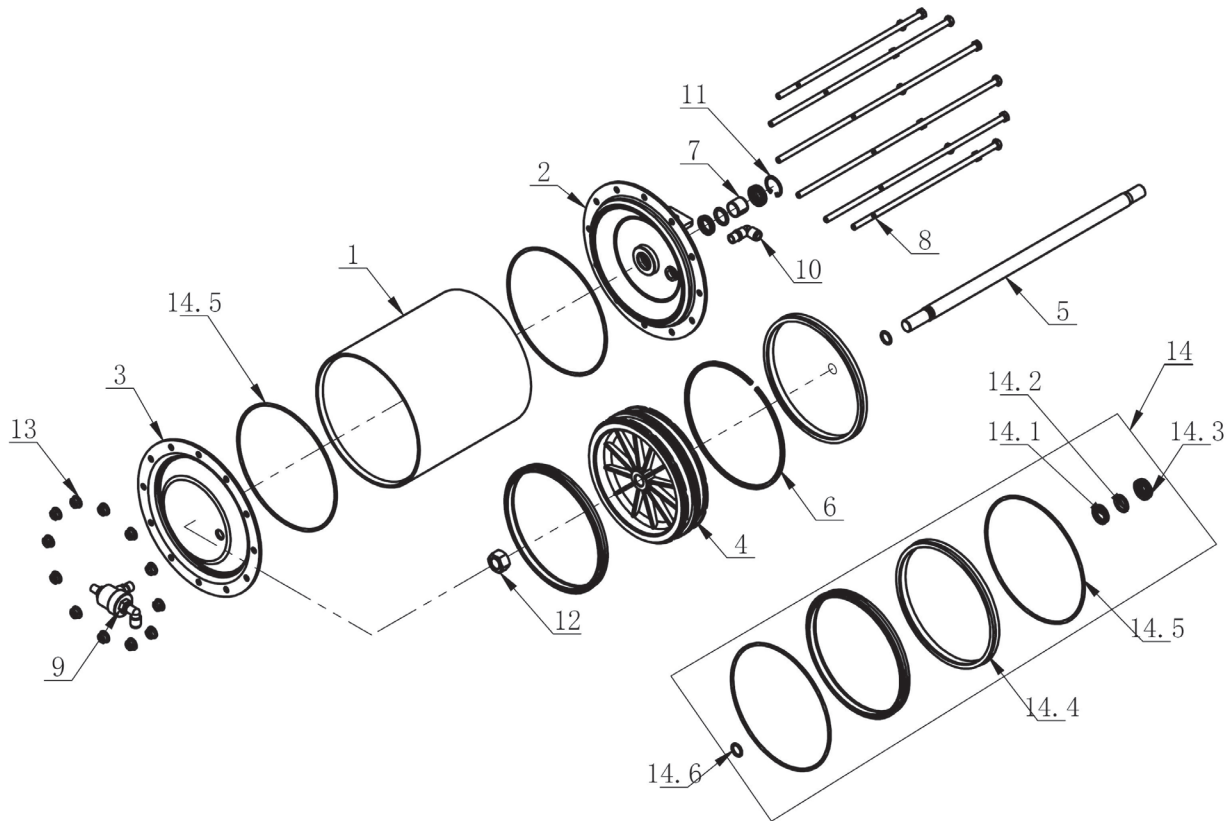
Item	Part No.	Description
1	TC10.50-01	GEARBOX, LOWER
2	TC10.50-02	GEARBOX, TOP
3	TC10.50-03	WORM ROD
4	TC10.50-04	BELT PULLEY
5	TC10.50-05	WORM SHAFT
6	B/6208	BEARING 6208
7	TC10.50-07	FLAT KEY (12x8x56)
8	TC10.50-08	BEARING (30205)
9	TC10.50-09	SEMI-CIRCULAR KEY (6x9x22)
10	TC10.50-10	WORM
11	TC10.50-11	RETAINING RING (A-TYPE)

Item	Part No.	Description
12	TC10.50-12	SEALED RING
13	TC10.50-13	CAP
14	TC10.50-14	BALL BEARING
15	TC10.50-15	LARGE WASHER
16	TC10.50-16	SPRING WASHER
17	TC10.50-17	HEX BOLT M8x25
18	TC10.50-18	HEX CYLINDRICAL SCREW M8x30
19	TC10.50-19	HEX NUT M8
20	TC10.50-20	HYDRAULIC-PNEUMATIC RUBBER O-RING (13.2x2.65)
21	TC10.50-21	BOLT

NOTE: It is our policy to continually improve products and as such we reserve the right to alter data, specifications and component parts without prior notice.

IMPORTANT: No liability is accepted for incorrect use of product.

WARRANTY: Guarantee is 12 months from purchase date, proof of which will be required for any claim.



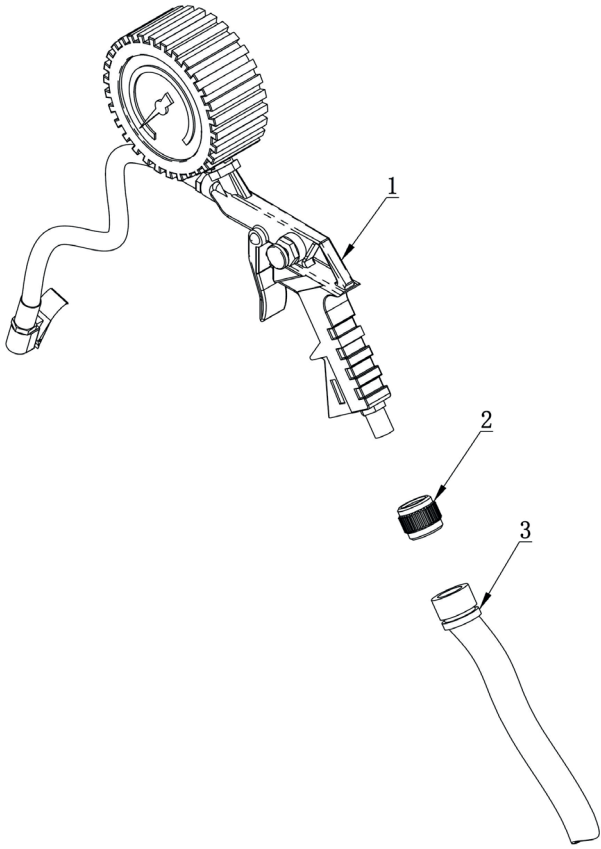
Item	Part No.	Description
1	TC10.51-01	CYLINDER BLOCK
2	TC10.51-02	CYLINDER COVER
3	TC10.51-03	CYLINDER COVER
4	TC10.51-04	PISTON
5	TC10.51-05	CYLINDER PISTON ROD
6	TC10.51-06	CLAMP RING
7	TC10.51-07	BEARING
8	TC10.51-08	CYLINDER BOLT
9	TC10.51-09	QUICK DEFLATION VALVE
10	TC10.51-10	INSERT ELBOW 1/4" (8mm dia)
11	TC10.51-11	RETAINING RING

Item	Part No.	Description
12	TC10.51-12	NUT (M18x1.5)
13	TC10.51-13	HEX FLANGE NUT M8
14	TC10.51-14	CYLINDER SEALING ASS'Y
14.1	TC10.51-15	SEALING RING
14.2	TC10.51-16	HYDRAULIC-PNEUMATIC O-RING (20x3.55)
14.3	TC10.51-17	SEAL-ROD, CYLINDER
14.4	TC10.51-18	Y-RING
14.5	TC10.51-19	HYDRAULIC-PNEUMATIC RUBBER O-RING (195x3.55)
14.6	TC10.51-20	HYDRAULIC-PNEUMATIC RUBBER O-RING (15.5x2.65)

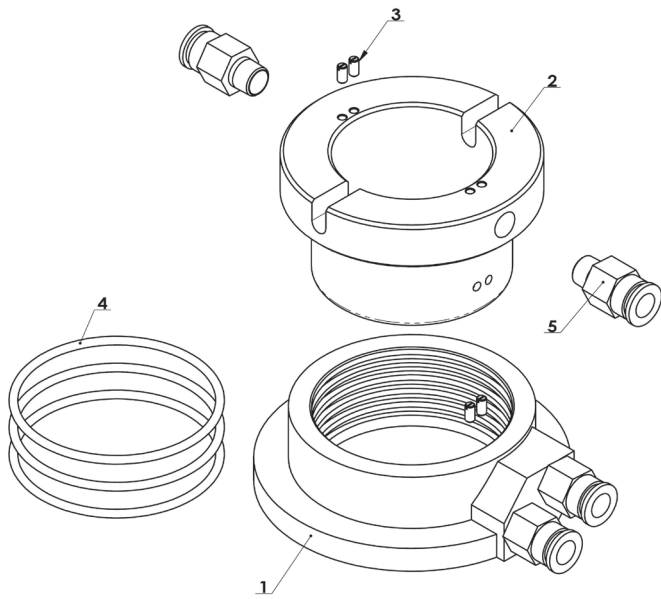
NOTE: It is our policy to continually improve products and as such we reserve the right to alter data, specifications and component parts without prior notice.

IMPORTANT: No liability is accepted for incorrect use of product.

WARRANTY: Guarantee is 12 months from purchase date, proof of which will be required for any claim.



Item	Part No.	Description
1	TC10.52-01	OPEN NUT 1/4"
2	TC10.52-02	INFLATING GUN
3	TC10.52-03	INFLATION HOSE

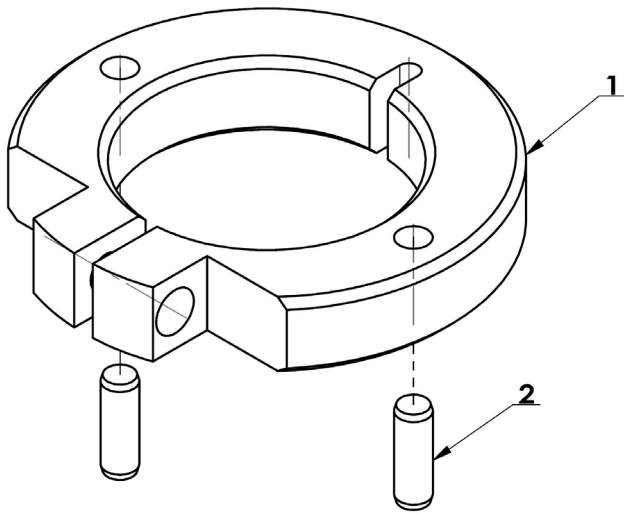


Item	Part No.	Description
1	TC10.53-01	AIR GUIDE (EXTERNAL)
2	TC10.53-02	AIR GUIDE ROTATION
3	TC10.53-03	SCREW M3x6
4	TC10.53-04	RUBBER O-RING (60x2.65)
5	TC10.53-05	STRAIGHT ADAPTOR (MALE)

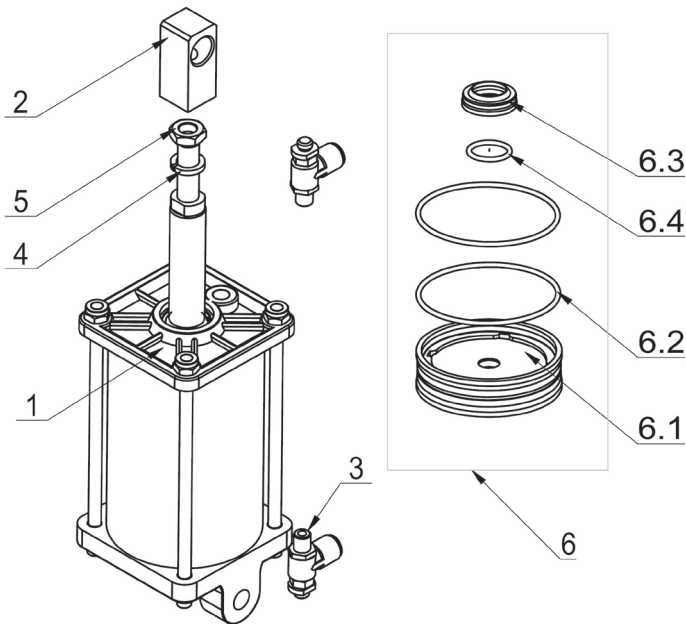
NOTE: It is our policy to continually improve products and as such we reserve the right to alter data, specifications and component parts without prior notice.

IMPORTANT: No liability is accepted for incorrect use of product.

WARRANTY: Guarantee is 12 months from purchase date, proof of which will be required for any claim.



Item	Part No.	Description
1	TC10.54-01	BLOCK RING
2	TC10.54-02	CYLINDRICAL PIN

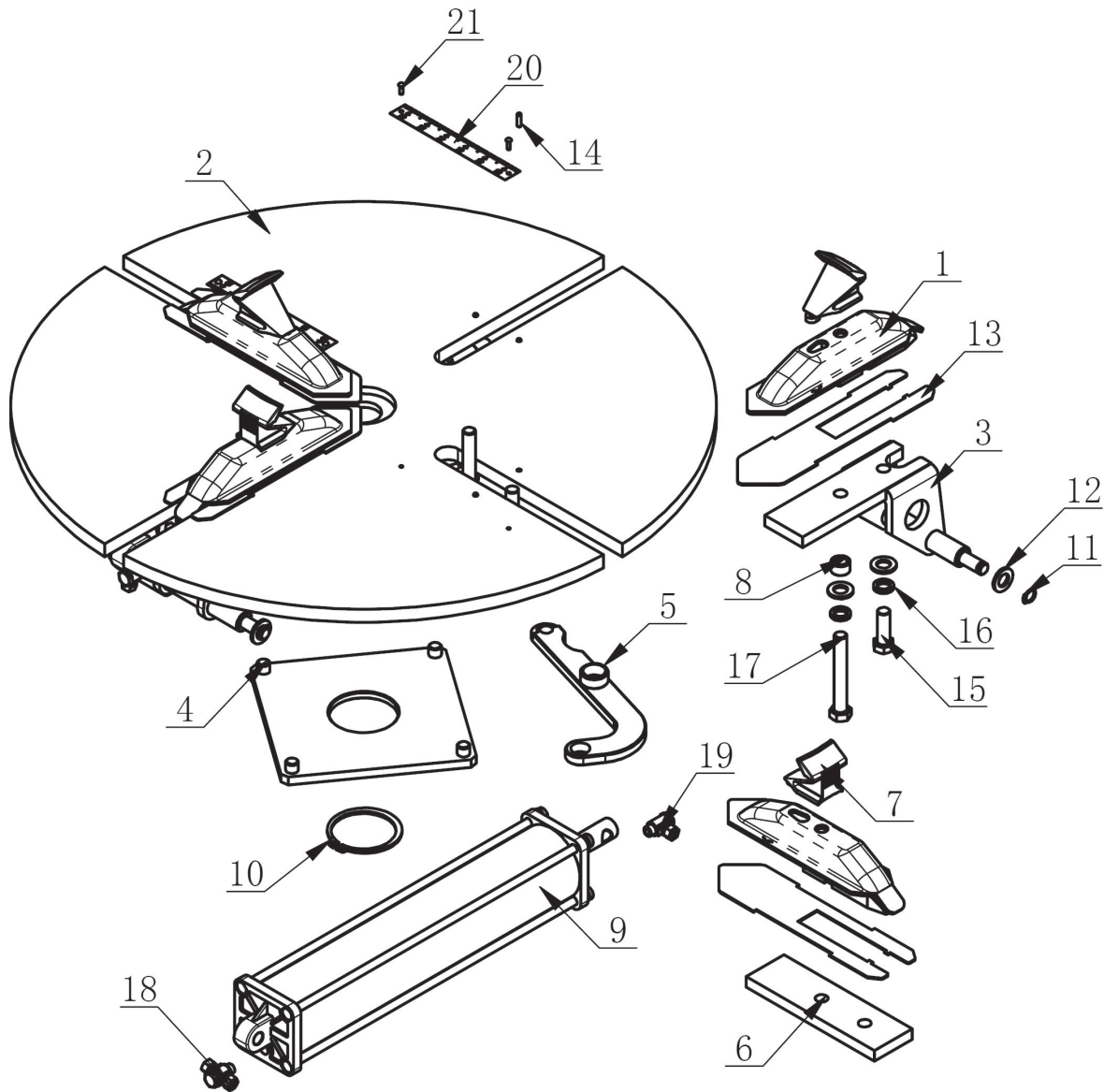


Item	Part No.	Description
1	TC10.55-01	CYLINDER ASS'Y
2	TC10.55-02	SHAFT CONNECTOR
3	TC10.55-03	ELBOW SPEED CONTROLLER
4	TC10.55-04	SPRING WASHER
5	TC10.55-05	HEX NUT M12 (THIN)
6	TC10.55-06	CYLINDER SEALING ASS'Y
6.1	TC10.55-07	PISTON
6.2	TC10.55-08	HYDRAULIC-PNEUMATIC RUBBER O-RING (75x2.65)
6.3	TC10.55-09	SEAL-ROD, CYLINDER
6.4	TC10.55-10	HYDRAULIC-PNEUMATIC RUBBER O-RING (20x2.65)

NOTE: It is our policy to continually improve products and as such we reserve the right to alter data, specifications and component parts without prior notice.

IMPORTANT: No liability is accepted for incorrect use of product.

WARRANTY: Guarantee is 12 months from purchase date, proof of which will be required for any claim.



Item	Part No.	Description
1	TC10.56-01	SLIDE COVER
2	TC10.56-02	TURNTABLE
3	TC10.56-03	BRACKET-CYLINDER
4	TC10.56-04	SQUARE TURNTABLE
5	TC10.56-05	CONNECTION PLATE
6	TC10.56-06	PRESS BOARD
7	TC10.56-07	CLAMP
8	TC10.56-08	SPACER
9	TC10.56-09	CYLINDER ASS'Y
10	TC10.56-10	RING
11	TC10.56-11	RING

Item	Part No.	Description
12	TC10.56-12	FLAT WASHER
13	TC10.56-13	SPACER
14	TC10.56-14	PIN
15	TC10.56-15	BOLT M12x35
16	TC10.56-16	WASHER
17	TC10.56-17	BOLT M12x85
18	TC10.56-18	HINGE ELBOW
19	TC10.56-19	HINGE ELBOW
20	TC10.56-20	SCALE
21	TC10.56-21	RIVET FOR LABEL

NOTE: It is our policy to continually improve products and as such we reserve the right to alter data, specifications and component parts without prior notice.

IMPORTANT: No liability is accepted for incorrect use of product.

WARRANTY: Guarantee is 12 months from purchase date, proof of which will be required for any claim.