

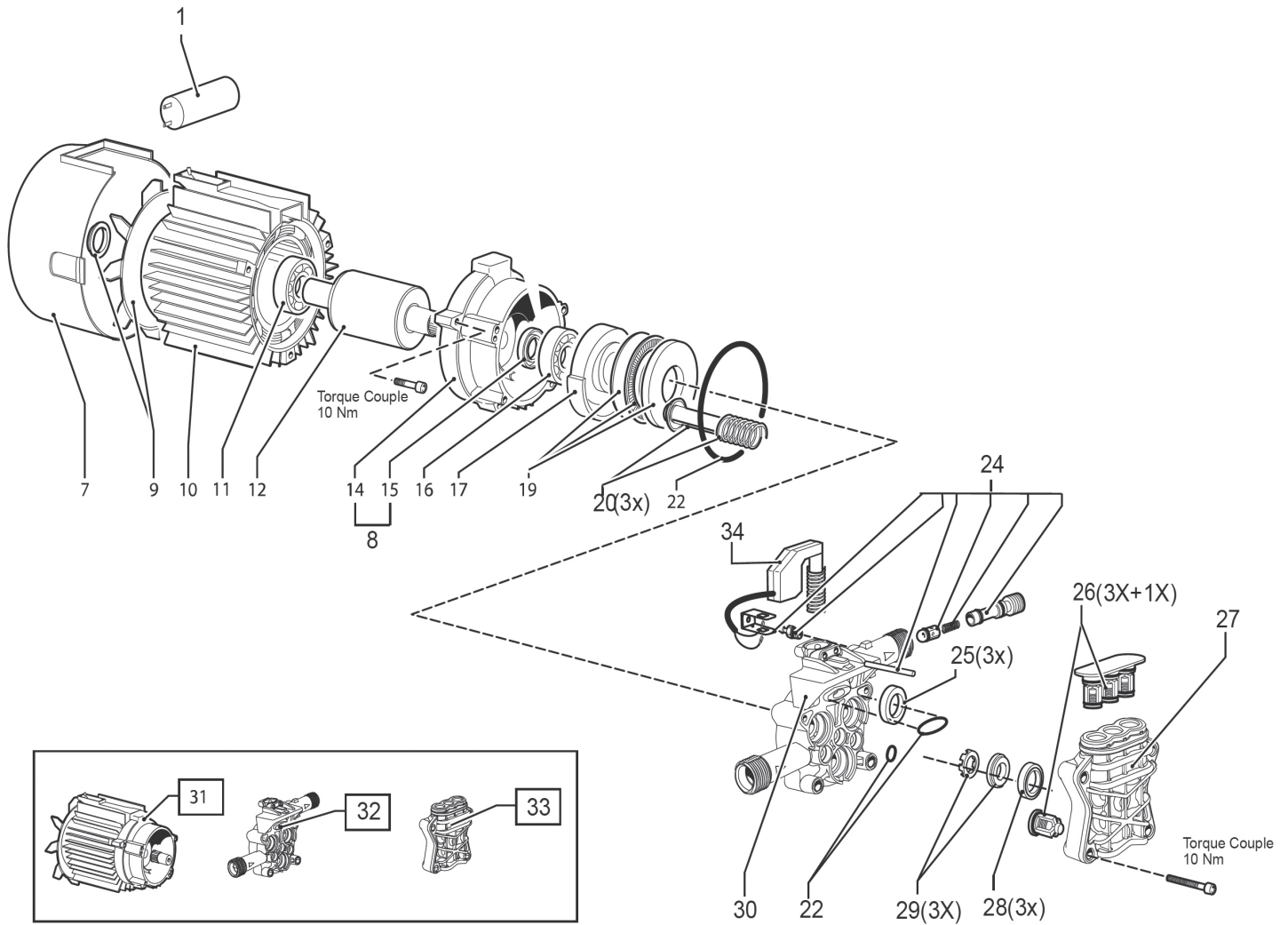
Item	Part No.	Description
1	PW2000HW.01	Lower Cover (Tank)
2	PW2000HW.02	Upper Cover
3	PW2000HW.03	Handle Assembly
4	PW2000HW.04	Tank Cap
6	PW2000HW.06	Wheel Kit
8	PW2000HW.08	Plastic Plug for Tank
9	PW2000HW.09	Gun

Item	Part No.	Description
10	PW2000HW.10	Hose 1/4 R1 210bar L=8000 3/8"F
11	PW2000HW.11	Lance w/o Cover High/Low
12	PW2000HW.12	Turbo Lance ( <b>optional extra only</b> )
13	PW2000HW.13	Rotary Brush ( <b>optional extra only</b> )
14	PW2000HW.14	Foam Lance ( <b>optional extra only</b> )
15	PW2000HW.15	Inlet Joint with Gasket
16	PW2000HW.16	Quick Coupling with Valve

**NOTE:** It is our policy to continually improve products and as such we reserve the right to alter data, specifications and component parts without prior notice.

**IMPORTANT:** No liability is accepted for incorrect use of product.

**WARRANTY:** Guarantee is 12 months from purchase date, proof of which will be required for any claim.



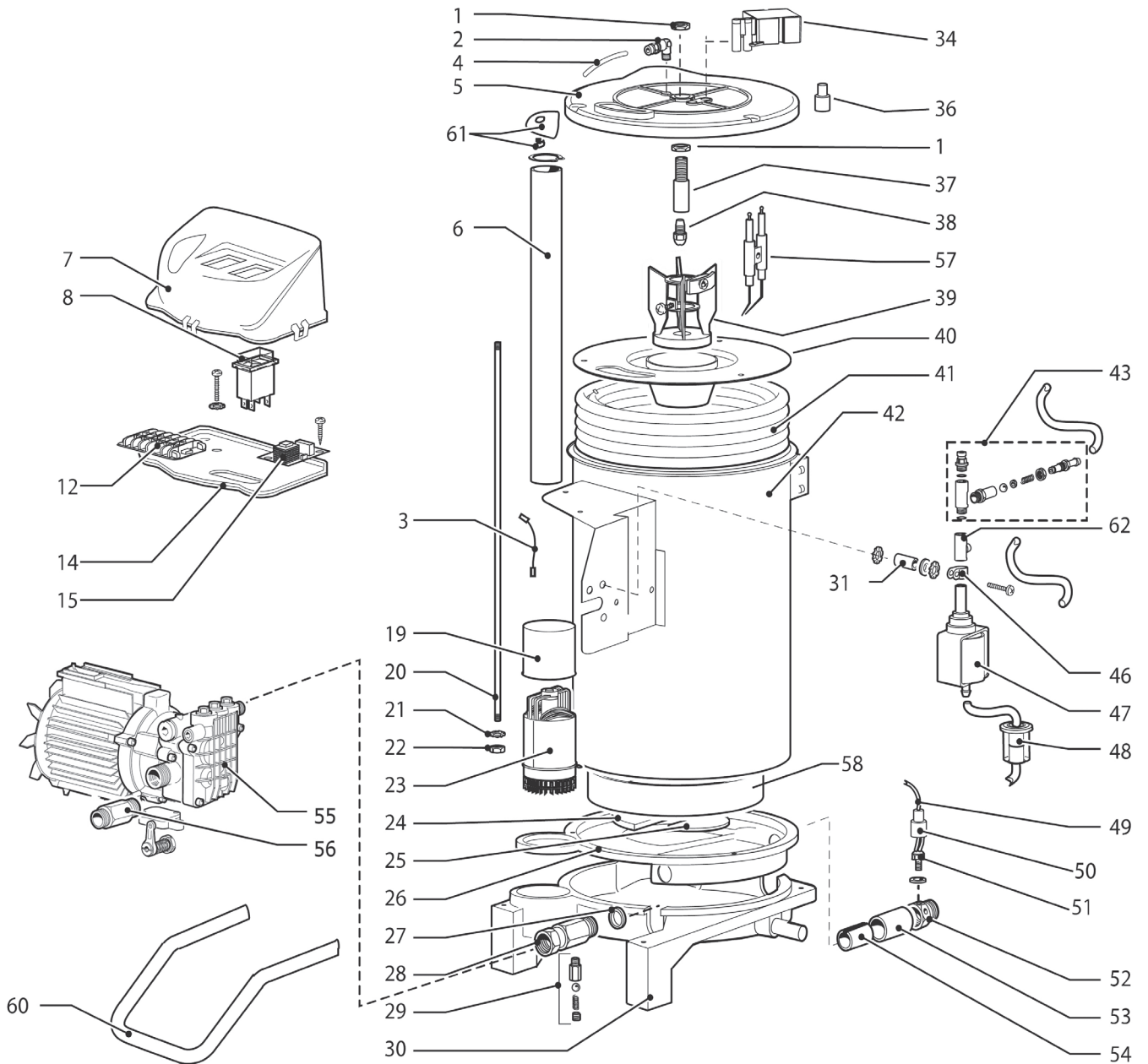
Item	Part No.	Description
1	PW2000HW.MP01	Capacitor 25mF 450v D.39x94mm F/M
7	PW2000HW.MP07	Motor Fan Cover
8	PW2000HW.MP08	Motor Flange D.110 W/Ring
9	PW2000HW.MP09	Motor Fan c/w Fan Ring
10	PW2000HW.MP10	Motor Housing
11	B/6203-2RS	Bearing 6203-2RS
12	PW2000HW.MP12	Rotor
14	PW2000HW.MP14	Front Flange
15	PW2000HW.MP15	Oil Seal Ring D.17x35x7
16	PW2000HW.MP16	Radial Bearing
17	PW2000HW.MP17	Wobble Plate
19	PW2000HW.MP19	Thrust Ring Kit
20	PW2000HW.MP20	LW Piston Kit

Item	Part No.	Description
22	PW2000HW.MP22	O-Ring Kit
24	PW2000HW.MP24	LW Injector Kit
25	PW2000HW.MP25	LW Oil Seal Kit
26	PW2000HW.MP26	LW Head Valve Kit
27	PW2000HW.MP27	Pump Head
28	PW2000HW.MP28	Water Seal Kit
29	PW2000HW.MP29	O-Ring Seal
30	PW2000HW.MP30	Piston Body
31	PW2000HW.MP31	Motor
32	PW2000HW.MP32	Piston Body Complete
33	PW2000HW.MP33	Pump Head Complete
34	PW2000HW.MP34	Completed Valve TS
35	PW2000HW.MP35	Thermal Protector

**NOTE:** It is our policy to continually improve products and as such we reserve the right to alter data, specifications and component parts without prior notice.

**IMPORTANT:** No liability is accepted for incorrect use of product.

**WARRANTY:** Guarantee is 12 months from purchase date, proof of which will be required for any claim.



**NOTE:** It is our policy to continually improve products and as such we reserve the right to alter data, specifications and component parts without prior notice.

**IMPORTANT:** No liability is accepted for incorrect use of product.

**WARRANTY:** Guarantee is 12 months from purchase date, proof of which will be required for any claim.



Parts Information:  
Hot Water Pressure Washer 135bar 230V  
Model No: PW2000HW

Item	Part No.	Description
1	PW2000HW.B01	Nut for Pin Nozzle Holder
2	PW2000HW.B02	Elbow Connection
3	PW2000HW.B03	Cable L=600
4	PW2000HW.B04	Rilsan Hose L=500
5	PW2000HW.B05	Cap for Boiler
6	PW2000HW.B06	Tube D.40 L=325
7	PW2000HW.B07	Electrical Box Cover
8	PW2000HW.B08	Switch with Protector
11	FWM4.S	Flat Washer M4 Single
12	PW2000HW.B12	Terminal Board
13	PW2000HW.B13	Cable Holder for Electrical Box
14	PW2000HW.B14	Electrical Box Base
15	PW2000HW.B15	Electrical Board
19	PW2000HW.B19	Fan Motor Cover
20	PW2000HW.B20	Boiler Rod M6x352
21	FWM6.S	Flat Washer M6 Single
22	SN6.S	Steel Nut M6 Zinc DIN934 (Single)
23	PW2000HW.B23	Burner Motor 240/50 (c/w Flange,Cables,Cover)
24	PW2000HW.B24	Thermoresistant Felt Bottom Plate
25	PW2000HW.B25	Thermoresistant Bottom Plate
26	PW2000HW.B26	Boiler Pad
27	FWM20.S	Flat Washer M20 Single
28	PW2000HW.B28	Junction Adaptor
29	PW2000HW.B29	Security Valve
30	PW2000HW.B30	Boiler Base Plate
31	PW2000HW.B31	Spacer for Fixing Clamp

Item	Part No.	Description
34	PW2000HW.B34	Transformer 230-240/50-60
35	PW2000HW.B35	Hign Voltage Cable with Protection
36	PW2000HW.B36	Transformer Cap
37	PW2000HW.B37	Nozzle Holder Pin
38	PW2000HW.B38	Gas Oil Nozzle 0.60 60/A
39	PW2000HW.B39	Electrode Deflectordid Complete
40	PW2000HW.B40	Disc Head Holder
41	PW2000HW.B41	Coil D.202
42	PW2000HW.B42	Body for Boiler
43	PW2000HW.B43	Adjusting Valve Set
46	PW2000HW.B46	Clamp D.12
47	PW2000HW.B47	Oil Pimp
48	PW2000HW.B48	Oil Filter
49	PW2000HW.B49	Electrolytic Pipe D.4
50	PW2000HW.B50	Rubber Protection for Thermic
51	PW2000HW.B51	Thermal Protector
52	PW2000HW.B52	Delivery Connection
53	PW2000HW.B53	Tube L=42
54	PW2000HW.B54	Thermoresistant Coupling 17x23xL40
55	PW2000HW.B55	Motor/Pump
56	PW2000HW.B56	Inlet Joint with Gasket
57	PW2000HW.B57	Electrode
58	PW2000HW.B58	Heat Resistant Ceramic Fibre Seal 270x365
60	PW2000HW.B60	Base
61	PW2000HW.B61	Boiler Cap Kit
62	PW2000HW.B62	Air Bleed Valve

**NOTE:** It is our policy to continually improve products and as such we reserve the right to alter data, specifications and component parts without prior notice.

**IMPORTANT:** No liability is accepted for incorrect use of product.

**WARRANTY:** Guarantee is 12 months from purchase date, proof of which will be required for any claim.

Sealey Group, Kempson Way, Suffolk Business Park, Bury St Edmunds, Suffolk. IP32 7AR



01284 757500



01284 703534



sales@sealey.co.uk



www.sealey.co.uk