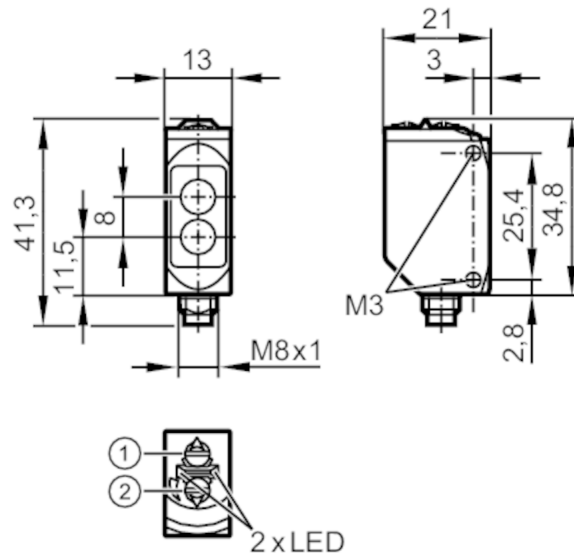


O6T306



Diffuse reflection sensor

O6T-FNKG/AS/3P



- 1: output function switch
2: potentiometer sensitivity



Product characteristics

| | |
|-----------------|----------------|
| Type of light | red light |
| Housing | rectangular |
| Dimensions [mm] | 41.3 x 13 x 21 |

Application

| | |
|--------------------|---------------------------|
| Function principle | Diffuse reflection sensor |
|--------------------|---------------------------|

Electrical data

| | |
|-----------------------------|--------------|
| Operating voltage [V] | 10...30 DC |
| Current consumption [mA] | 16; ((24 V)) |
| Protection class | III |
| Reverse polarity protection | yes |
| Type of light | red light |
| Wave length [nm] | 633 |

Outputs

| | |
|--|-------------------------------------|
| Electrical design | NPN |
| Output function | light-on/dark-on mode; (selectable) |
| Max. voltage drop switching output DC [V] | 2.5 |
| Permanent current rating of switching output DC [mA] | 100 |
| Switching frequency DC [Hz] | 1000 |
| Short-circuit protection | yes |
| Type of short-circuit protection | pulsed |

O6T306



Diffuse reflection sensor

O6T-FNKG/AS/3P

| Detection zone | |
|-----------------------------------|---|
| Range [mm] | 5...500; (white paper 200 x 200 mm 90% remission) |
| Range adjustable | yes |
| Max. light spot diameter [mm] | 15 |
| Light spot dimensions refer to | at maximum range |
| Monitoring range final value [mm] | 100...500 |

| Operating conditions | |
|--------------------------|-----------------------------|
| Ambient temperature [°C] | -25...80 |
| Protection | IP 65; IP 67; IP 68; IP 69K |

| Tests / approvals | |
|-------------------|----------------------|
| EMC | EN 60947-5-2 |
| MTTF [years] | 910 |
| UL approval | UL Approval no. E001 |

| Mechanical data | |
|-----------------|---|
| Weight [g] | 35.7 |
| Housing | rectangular |
| Dimensions [mm] | 41.3 x 13 x 21 |
| Materials | housing: stainless steel (1.4404 / 316L); plastics: PPSU; Sealing: EPDM |
| Lens material | PMMA |
| Lens alignment | side lens |

| Displays / operating elements | | |
|-------------------------------|------------------|-----------------|
| Display | switching status | 1 x LED, yellow |
| | operation | 1 x LED, green |

| Remarks | |
|---------------|---|
| Remarks | operating voltage "supply class 2" according to cULus |
| Pack quantity | 1 pcs. |

Electrical connection

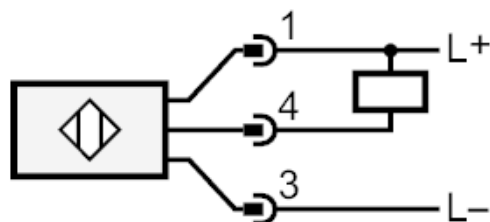
Connector: 1 x M8



Diffuse reflection sensor

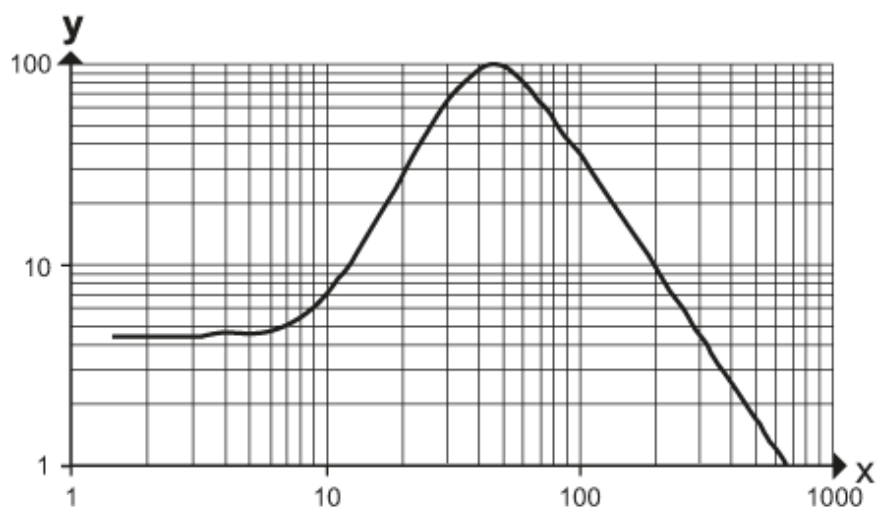
O6T-FNKG/AS/3P

Connection



Diagrams and graphs

excess gain graph



x: distance [mm]

y: excess gain factor