

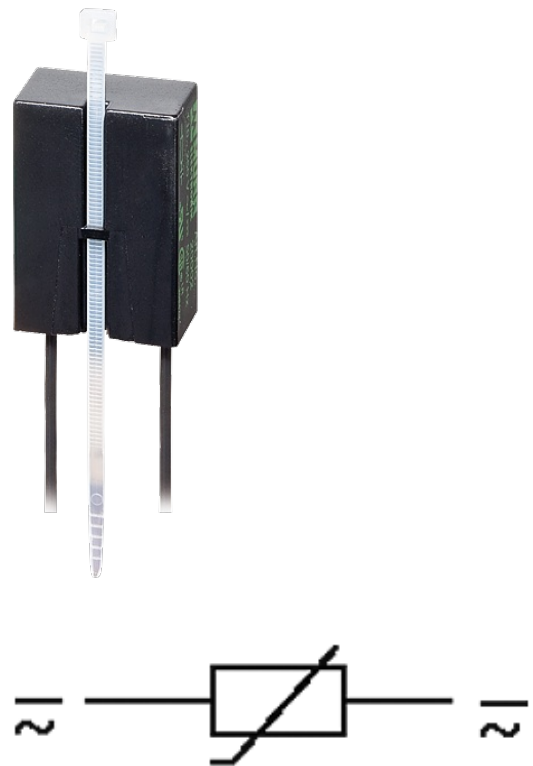
**SUPPRESSOR FOR CONTACTORS**

Varistor, 24...48 VAC/DC, 146 VA/W

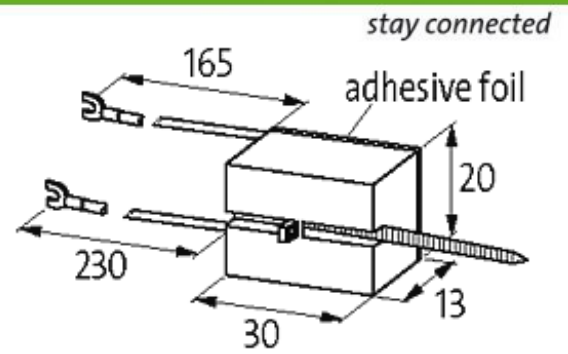
24 V AC/DC

VDR

For other configurations and voltages, please inquire

[Link to Product](#)**Illustration**

VDR



Product may differ from Image

### Approvals



### Appropriate contactors

universal

### Technical Data

Damping factor	approx. 1.5 × UN
Material	Flame retardant plastic acc. to (UL 94)
Connection wires	Plug contact

### General data

Temperature range	-20...+70 °C
Dimensions H × W × D	30×20×13 mm

### Commercial data

country of origin	CZ
customs tariff number	85363010
minimum order quantity	1