



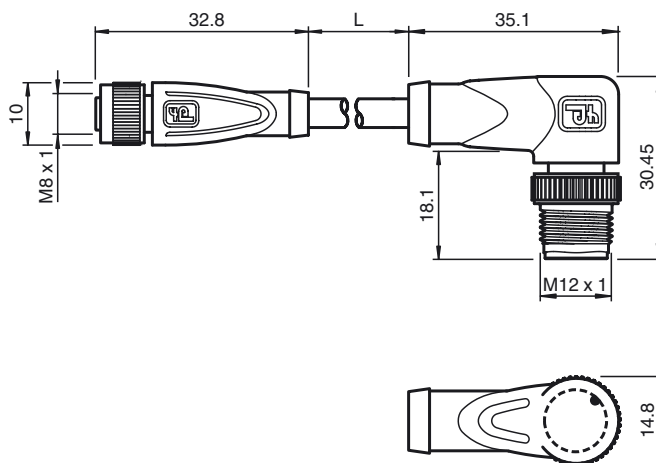
Model Number

V31-GM-1M-PVC-V1-W
 Connection cable, M8 to M12, PVC cable 4-pin

Features

- Knurled nut suitable for tool assembly
- Immunity to vibration, with mechanical latching
- Gold-plated and machined contacts

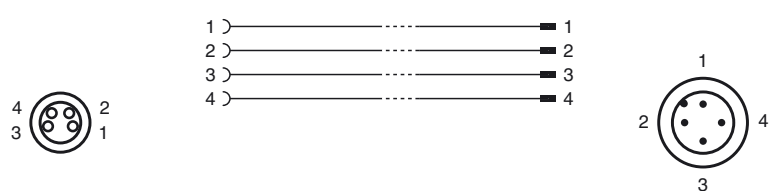
Dimensions



Technical data

| General specifications | | |
|---------------------------|-------|--------------------------------------------------------------------------------------------------------------------------------|
| Number of pins | | 4 |
| Connection 1 | | socket |
| Construction type 1 | | straight |
| Threading 1 | | M8 |
| Connection 2 | | Male connector |
| Construction type 2 | | right angle |
| Threading 2 | | M12 |
| Electrical specifications | | |
| Operating voltage | U_B | max. 60 V DC |
| Test voltage | | > 1500 V _{eff} AC |
| Operating current | | max. 4 A |
| Volume resistance | | < 5 mΩ |
| Ambient conditions | | |
| Ambient temperature | | -40 ... 90 °C (-40 ... 194 °F) cable, fixed: -25 ... 70 °C (-13 ... 158 °F) cable, flexing: -5 ... 70 °C (23 ... 158 °F) |
| Pollution Degree | | 3 |
| Mechanical specifications | | |
| Contact elements | | spring-loaded contact socket |
| Pin diameter | | 1 mm |
| Protection degree | | IP67 |
| Material | | |
| Contacts | | CuSn / Au |
| Contact surface | | Au |
| Body | | TPU, green |
| Cable | | PVC |
| Slotted nut | | Diecast zinc |
| Sleeve connector | | Diecast zinc |
| Core insulation | | PVC |
| Cable | | fine-strand, flexible |
| Sheath diameter | | Ø 4.3 mm |
| Bending radius | | > 15 x cable diameter, induced > 10 x cable diameter, fixed |
| Color | | grey |
| Cores | | 4 x 0.25 mm ² |
| Conductor construction | | 14 x 0.15 mm Ø |
| Length | L | 1 m |
| Flammability | | |
| Contact material | | 94 HB |
| Housing | | 94 V-2 |

Electrical connection



Release date: 2013-08-14 17:20 Date of issue: 2013-08-14 240126_eng.xml