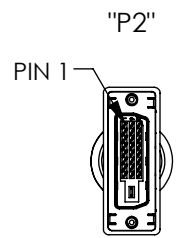
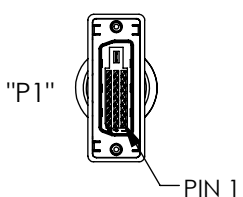
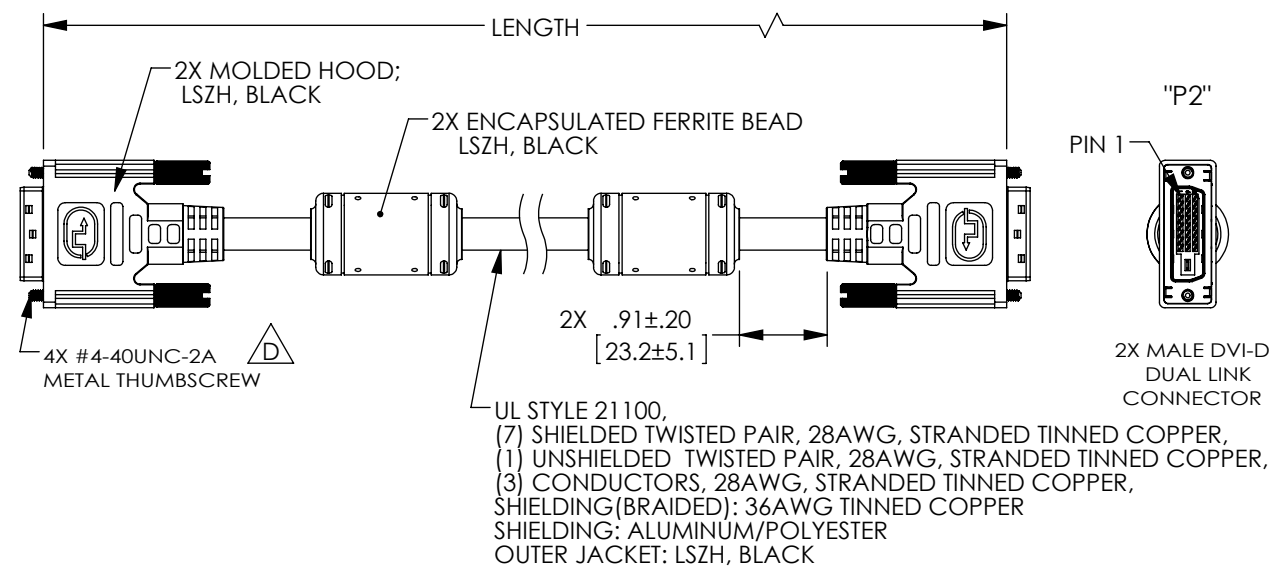


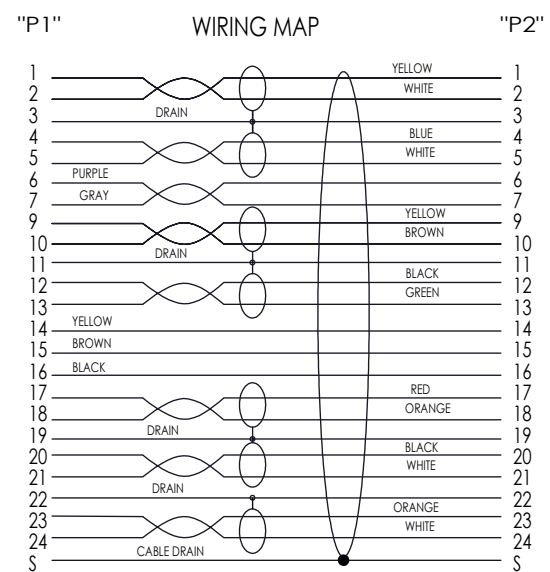
THE INFORMATION CONTAINED IN THIS DRAWING IS THE SOLE PROPERTY OF L-COM, INC. ANY REPRODUCTION IN PART OR WHOLE WITHOUT THE WRITTEN PERMISSION OF L-COM, INC. IS PROHIBITED.

REVISIONS			
REV	DESCRIPTION	DATE	APPROVED
A	INITIAL RELEASE	2/12/10	D.GRIFFIN
B	ECN4755: FERRITE LOCATION DIM WAS 0.65" [16.60]	05/18/10	DFP
C	ECN 5837: ADDED LOGO	11/15/11	D. CASTRO
D	ECN8182: UPT DWG FROM MOLDED THUMBSCREW TO METAL THUMBSCREW	11/27/2013	B.ZHANG

P/N	LENGTH	
	FEET	METERS
CTLDVIDMMLZ-3	3.0	.92
CTLDVIDMMLZ-5	5.0	1.52
CTLDVIDMMLZ-10	10.0	3.05
CTLDVIDMMLZ-15	15.0	4.57



2X MALE DVI-D DUAL LINK CONNECTOR



PIN 8: NO CONNECTION

- NOTES:**
1. CABLES TO BE TESTED FOR CONTINUITY
 2. CABLES TO BE INDIVIDUALLY PACKAGED PER L-COM SPECIFICATION PS-0031.
 3. DUST COVERS INSTALLED FOR SHIPPING (NOT SHOWN).

REGULATORY COMPLIANCE:
CE2011/65/EU (RoHS DIRECTIVE)

UNLESS OTHERWISE SPECIFIED, DIMENSIONS ARE IN INCHES [mm] OVERALL CABLE LENGTH TOLERANCE: ≤ 12 [305] = +1 [25] / -0 > 12 [305] ≤ 60 [1524] = +2 [51] / -0 > 60 [1524] ≤ 120 [3048] = +4 [102] / -0 > 120 [3048] ≤ 300 [7620] = +6 [152] / -0 > 300 [7620] = +5% / -0% ALL OTHER DIMENSIONAL TOLERANCES: .X = ±.2 [5.08] .XX = ±.02 [1.51] .XXX = ±.005 [1.3]	APPROVALS DRAWN BY D. PARHAM CHECKED BY J. RUST APPROVED BY P. McNEIL	DATE 02/11/2010 02/12/2010 02/12/2010	45 BEECHWOOD DRIVE NORTH ANDOVER, MA 01845
	CONFIGURATION DETAILS OF UNDIMENSIONED FEATURES MAY VARY	CATEGORY AUDIO/VIDEO	
PROJECTION 	COLOR VARIATIONS MAY OCCUR	SIZE A	FSCM NO. 43321
REF	DWG. NO. CTLDVIDMMLZ	SCALE: NONE	CAD FILE: CTLDVIDMMLZ.SLDDRW
			SHEET 1 OF 1