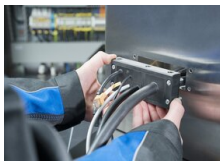
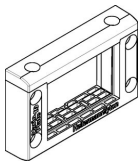


VarioPlate Frame 10

Art.-No. 440-00001 | VarioPlate-10_Frame-PL-BK |

Details



- Time and space saving design
- Easy assembly, subsequent changes possible
- Wall gasket included in frame design
- Modular application for both insert sizes (S and L)
- Integrated strain relief
- Suitable for all common standard cut-out dimensions and drilling patterns
- Integrated cable diameter tolerance compensation
- For cut-out size 65 x 36 mm
- IP 65 and IP 66

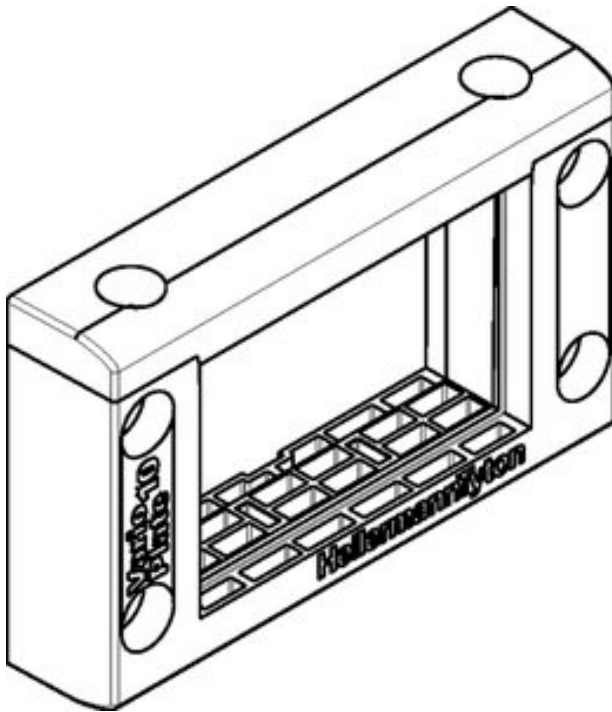


More products in this product group:

Base Data




| | |
|---------------------------|---|
| Application | The VarioPlate Cable Entry System is used to install multiple cables of different diameters, with or without pre-terminated plugs or connectors, or wherever space is limited. It is available in 4 different frame sizes which correspond to the cut-out dimensions commonly used in panel building and for industrial machinery. Combinable grommets with 1, 2 or 4 holes, are available for cable diameters ranging from 3-16 mm (size S) and 16-33 mm (size L). |
| Colour | Black (BK) |
| Description | VarioPlate Frame 10 |
| Material | Plastic (PL) |
| Pack Content | 10 pcs. |
| Package Content packed in | box |
| PART DESCRIPTION | VarioPlate-10_Frame-PL-BK |
| Product Family | VarioPlate Frame 10 |
| Product Group | VarioPlate Cable Entry System |
| Variant | Both sides open |

Product Dimensions



| | |
|------------|----------|
| Depth (D) | 61 mm |
| Height (H) | 21.00 mm |
| Length (L) | 61 mm |
| Width (W) | 96.5 mm |

Specifications

| | |
|-------------------------------|--|
| ELV compliant (Article 4 - 2) | YES |
| Flammability | UL 94 V0 |
| Halogen-free | Yes |
| Hazardous good | No |
| IP-Rating | IP66 |
| Operating Temperature | -40 °C to +140 °C |
| Self extinguishing (Yes/No) | Yes |
| Specifications |    |
| Specifications | csa-C22.2 No. 94.1, csa-C22.2 No. 94.2, UL 50, UL 50E |
| UL OCD link | Link Link |
| UL-File Number | E526974 |

Logistics and Packaging

| | |
|--|-----------------------|
| GTIN-13 / EAN | 4031026686158 |
| Packaging 1 - Height (m) | 0.065 m |
| Packaging 1 - Length (m) | 0.22 m |
| Packaging 1 - Qty | 10 |
| Packaging 1 - Type | carton |
| Packaging 1 - Volume (m ³) | 0.0014 m ³ |
| Packaging 1 - Weight (kg) | 0.85 kg |
| Packaging 1 - Width (m) | 0.098 m |
| Packaging 2 - Height (m) | 0.216 m |
| Packaging 2 - Length (m) | 0.3048 m |
| Packaging 2 - Type | carton |
| Packaging 2 - Volume (m ³) | 0.0176 m ³ |
| Packaging 2 - Width (m) | 0.267 m |

More Information

Subscribe to our newsletter >

