

## Ionizer/Fan Type Series IZF10

RoHS

### Compact fan type with simple functions

■ Compact design: 80 x 110 x 39 mm ■ Weight: 280 g Light-weight

■ Ion balance:  $\pm 13$  V  
(Based on EN 61340-5-1: 2007 standards)

■ Static electricity elimination time: **1.5** seconds  
(When eliminating static electricity from 1000 V to 100 V at a distance of 300 mm from the workpiece)

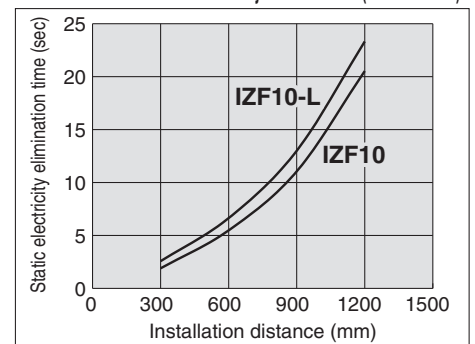
■ With alarm function  
High-voltage error, electrode needle contamination detector



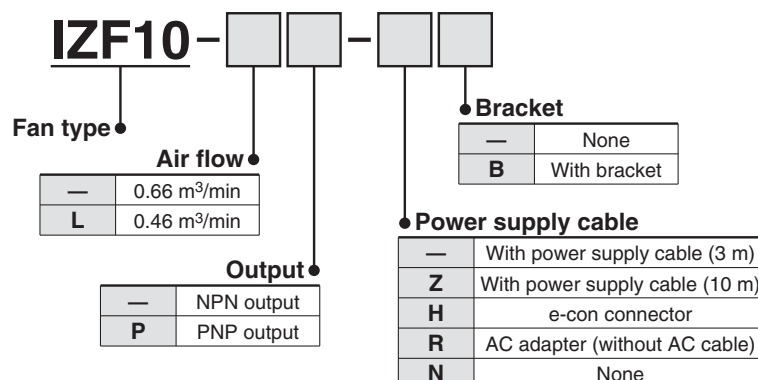
### Specifications

Ionizer model	IZF10-□□	IZF10-L-□□	IZF10-P-□□	IZF10-LP-□□
Ion generation method	Corona discharge type (DC)			
Power supply voltage	24 VDC $\pm 10\%$			
Output	NPN open collector output		PNP open collector output	
Air flow	0.66 m <sup>3</sup> /min	0.46 m <sup>3</sup> /min	0.66 m <sup>3</sup> /min	0.46 m <sup>3</sup> /min
Power consumption	6.1 W or less	3.7 W or less	6.6 W or less	4.8 W or less
Ambient temperature	Operation: 0 to 50°C, Storage: -10 to 60°C			
Ambient humidity	Operation, Storage: 35 to 80% RH (No condensation)			
Weight	280 g (With bracket: 360 g)			

Installation distance and static electricity elimination time (1000 V → 100 V)

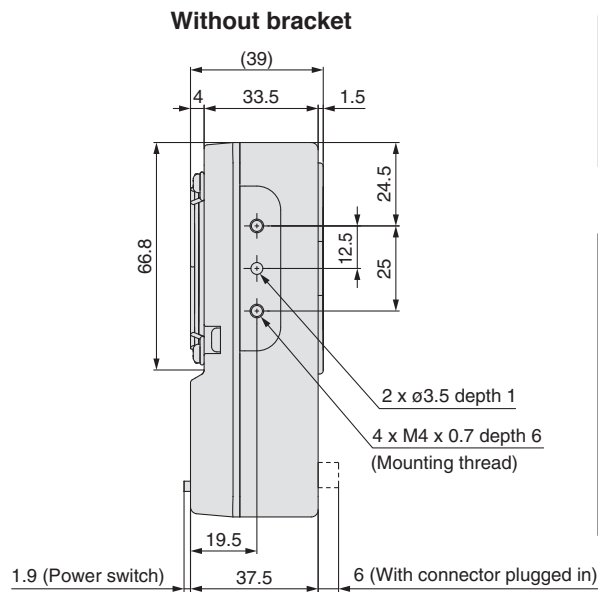
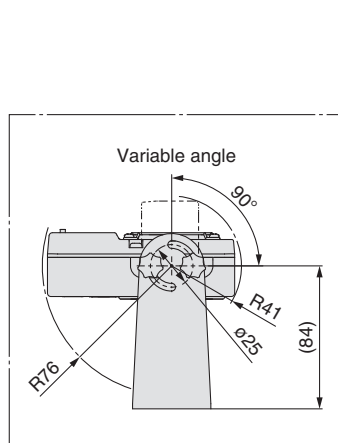
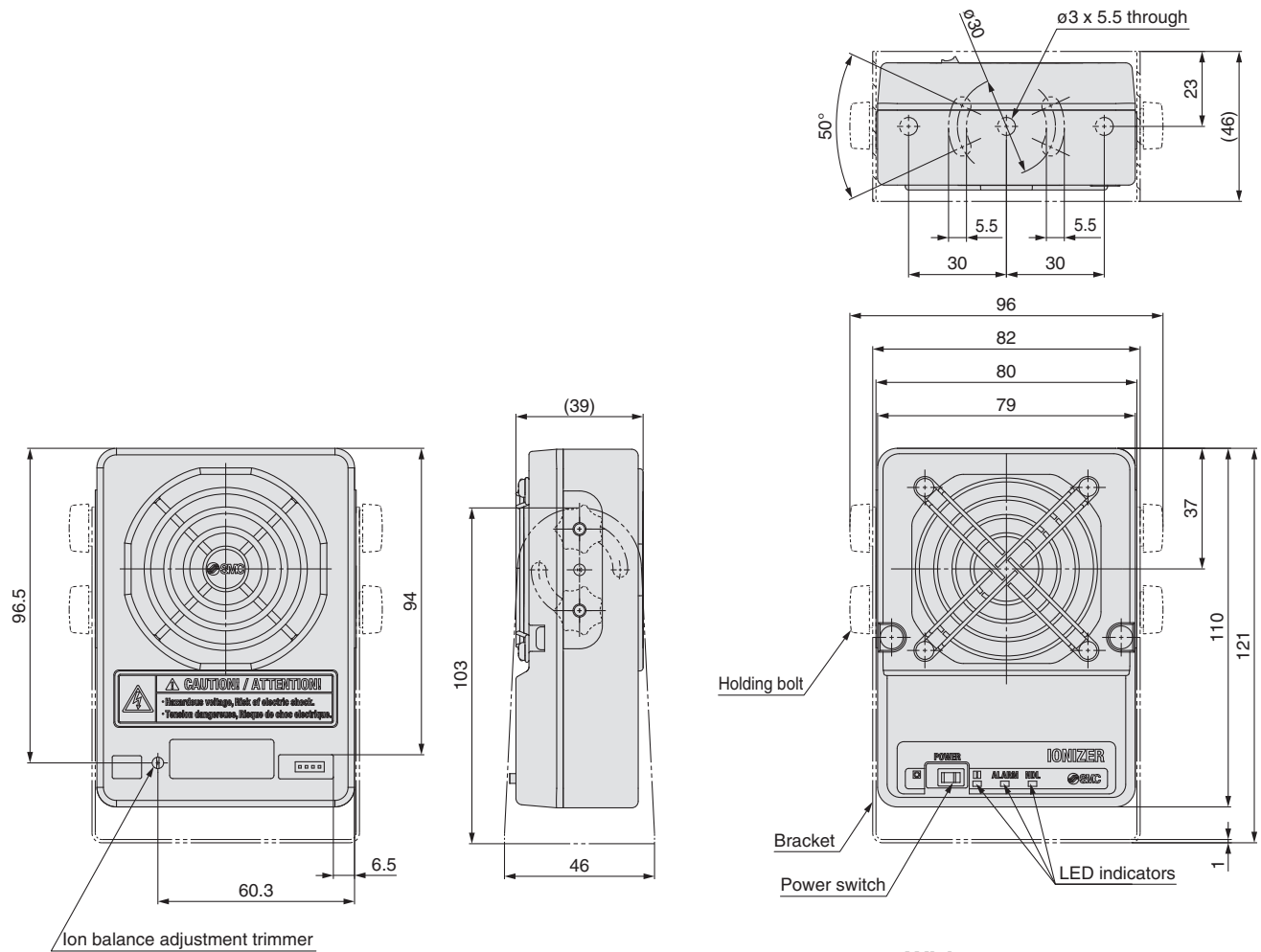


### How to Order



# Series IZF10

## Dimensions



## Wiring

Pin No.	Lead wire (colour)	Description
1	Brown	24 VDC
2	Blue	GND
3	Green	F.G.
4	Purple	Emergency output

## Accessories

Part number	Description
IZF10-CP	Power supply cable (3 m)
IZF10-CPZ	Power supply cable (10 m)
IZF10-CG2EU	Power supply cable with AC adapter (with AC cord)
IZF10-CG2	Power supply cable with AC adapter (without AC cord)
IZF10-B1	Bracket
IZF10-A1	Cartridge case
ZS-28-C	e-con connector