

# CIRCUIT BOARD HARDWARE

**TR Fastenings** is recognised throughout the industry for world class products & services

We manufacture, stock & distribute a vast range of industrial fasteners & components



[www.trfastenings.com](http://www.trfastenings.com)  
[sales@trfastenings.com](mailto:sales@trfastenings.com)  
Edition 4

### Contents

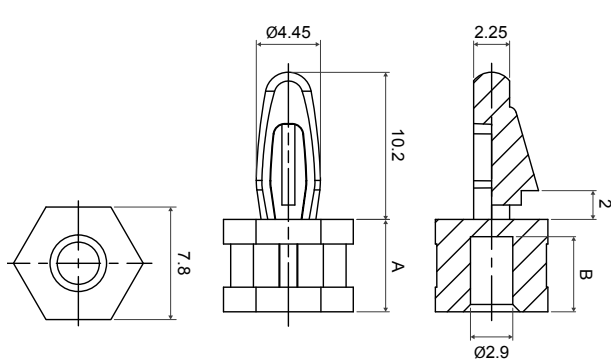
	Page		Page		
	<b>Hex Circuit Board Support</b> TRTCBS	3		<b>Round Dual Locking Support Post</b> TRLMSP	13
	<b>Hex Male Circuit Board Support</b> TRMSCBS/TRSCBS	3		<b>Round Locking Support Post Tear Drop -</b> TRLCBST	14
	<b>Mini Circuit Board Support</b> TRMSCBSM/TRSCBSM	4		<b>Round Non-Threaded Circuit Board Support Post (Cross)</b> TRBHL/TRBHC/TRBHDL	14 - 15
	<b>Male Mini Circuit Board Support</b> TRMSCBST	5		<b>Locking Support Post (Cross) 1</b> TRCBS	16
	<b>Round Male Circuit Board Support -</b> TRLCBS-TM	5		<b>Locking Support Post (Cross)</b> TRLCBS/TRLNCBS/TRLCBSM	17 - 18
	<b>Nylon Round Threaded Spacer (Cross) -</b> TRCBS-TMM	6		<b>Mini Push Support Post</b> TRPS/TRPSM	19
	<b>Round Support Post (Cross)</b> TRSP	7		<b>Rivet Locking Support Post (Cross) -</b> TRSRLCBS	19
	<b>Round Mini Support Dual Lock</b> TRDLMSPM/TRDLMSP	8		<b>Dual Locking Support Post (Cross) -</b> TRDLSP	20
	<b>Self Retaining Support Post</b> TRSRS	9		<b>Dual Locking Support Post (Cross) -</b> TRDLCBS	21
	<b>Mini Circuit Board Post</b> TRMSP/TRMSPM	10		<b>Dual Locking Support Post (Cross) -</b> TRDLCBSM	22
	<b>Mini Dual Locking Support Post</b> TRMDLSP3	11		<b>Reverse Locking Circuit Board Support -</b> TRRLCBSK/ TRRLCBSPP/TRRLCBSRS/ TRRLCBSR/TRRCBSR/ TRCRLCBSR/TRCRLCBSRE	22 - 25
	<b>Round Dual Locking Support Post Tear Drop -</b> TRDLCBST	11		<b>Circuit Board Support on Base</b> TRRLCBSR1	25 - 26
	<b>Mini Dual Locking Support Post (Metric) -</b> TRMDLSP/TRMDLSPK	12		<b>Mini Circuit Board Support on Base</b> TRLCBSB/TRLCBSB/TRCBSB	
	<b>Round Push Support Post Tear Drop -</b> TRPST	13		<b>Material Specification</b>	27

# Circuit Board Support

TRTCBS/TRMSCBS/TRSCBS



## Hex Circuit Board Support



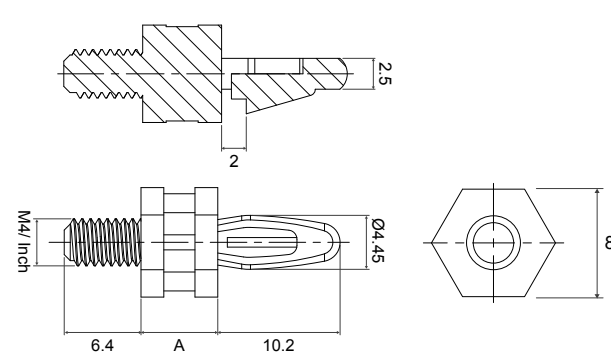
Support Post Series  
 Type Hex Circuit Board Support Post  
 Material Nylon 6/6 V2 / TMS 001 (Natural)  
 Nylon 6/6 V0 / TMS 019 (White)  
 Colour Natural  
 Unit mm  
 Panel Thickness 1.57 mm

Part number example -  
 Nylon 6/6 V2 = TRTCBS-22.5-01  
 Nylon 6/6 V0 = TRTCBS-22.5-19

Top Hole 4.0 ± 0.08  
 Bottom Hole # 6 Self Tapping Screw Type B

Part Number	"A" ± 0.4	"B"
TRTCBS - 4 - 01	6.4	5.2
TRTCBS - 6 - 01	9.5	7.9
TRTCBS - 8 - 01	12.7	7.9
TRTCBS - 10 - 01	15.9	7.9
TRTCBS - 12 - 01	19.1	7.9
TRTCBS - 14 - 01	22.2	7.9
TRTCBS - 16 - 01	25.4	7.9
TRTCBS - 18 - 01	28.6	7.9
TRTCBS - 20 - 01	31.7	7.9
TRTCBS - 22.5 - 01	35.7	7.9

## Hex Male Circuit Board Support



Screw Threaded Series  
 Type Hex Male Circuit Board Support  
 Styles A Male  
 Material Nylon 6/6 V2 / TMS 001  
 Nylon 6/6 V0 / TMS 019  
 Colour Black/Natural  
 Unit mm  
 Panel Thickness 1.57 mm  
 Top Hole Snap-lock  $\varnothing 4 \pm 0.08$  mm  
 Bottom Thickness See chart for thread options

Part number example -  
 Nylon 6/6 V2 = TRMSCBS-22.5-01  
 Nylon 6/6 V0 = TRMSCBS-22.5-19

Part Number	Colour	"A"	"M"
TRMSCBS - 4 - 01	B	N	6.4 M4
TRMSCBS - 6 - 01	B	N	9.5 M4
TRMSCBS - 8 - 01	B	N	12.7 M4
TRMSCBS - 10 - 01	B	N	15.9 M4
TRMSCBS - 12 - 01	B	N	19.1 M4
TRMSCBS - 14 - 01	B	N	22.2 M4
TRMSCBS - 16 - 01	B	N	25.4 M4
TRMSCBS - 18 - 01	B	N	28.6 M4
TRMSCBS - 22.5 - 01	B	N	35.7 M4

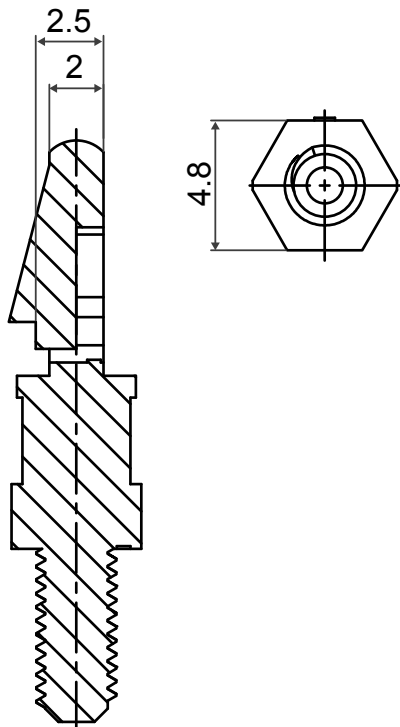
Part Number	Colour	"A"	"Inch"
TRSCBS - 4 - 01	B	N	6.4 #8-32
TRSCBS - 6 - 01	B	N	9.5 #8-32
TRSCBS - 8 - 01	B	N	12.7 #8-32
TRSCBS - 10 - 01	B	N	15.9 #8-32
TRSCBS - 12 - 01	B	N	19.1 #8-32
TRSCBS - 14 - 01	B	N	22.2 #8-32
TRSCBS - 16 - 01	B	N	25.4 #8-32
TRSCBS - 18 - 01	B	N	28.6 #8-32
TRSCBS - 22.5 - 01	B	N	35.7 #8-32

# Circuit Board Support

TRMSCBSM/TRSCBSM



## Mini Circuit Board Support

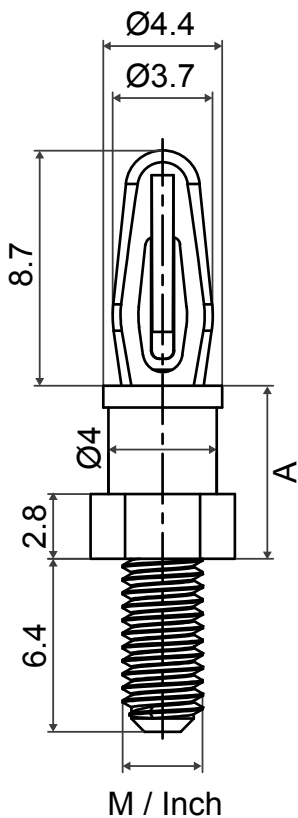


### Screw Threaded Series

Type	Mini Circuit Board Support
Styles	A Male
Material	Nylon 6/6 V2 / TMS 001
Colour	Black / Natural
Unit	mm
Panel Thickness	1.57 mm
Top Hole	Snap-lock $\varnothing 3.18 \pm 0.05$ mm
Bottom Thickness	See chart for thread options

Part number example -

Nylon 6/6 V2 = TRMSCBSM -M4-10-01



Part Number	Colour		"A"	"M"
TRMSCBSM - M3 - 2 - 01	B	N	3.2	M3
TRMSCBSM - M3 - 3 - 01	B	N	4.8	M3
TRMSCBSM - M3 - 4 - 01	B	N	6.4	M3
TRMSCBSM - M3 - 5 - 01	B	N	7.9	M3
TRMSCBSM - M3 - 6 - 01	B	N	9.5	M3
TRMSCBSM - M3 - 7 - 01	B	N	11.1	M3
TRMSCBSM - M3 - 8 - 01	B	N	12.7	M3
TRMSCBSM - M3 - 9 - 01	B	N	14.3	M3
TRMSCBSM - M3 - 10 - 01	B	N	15.9	M3

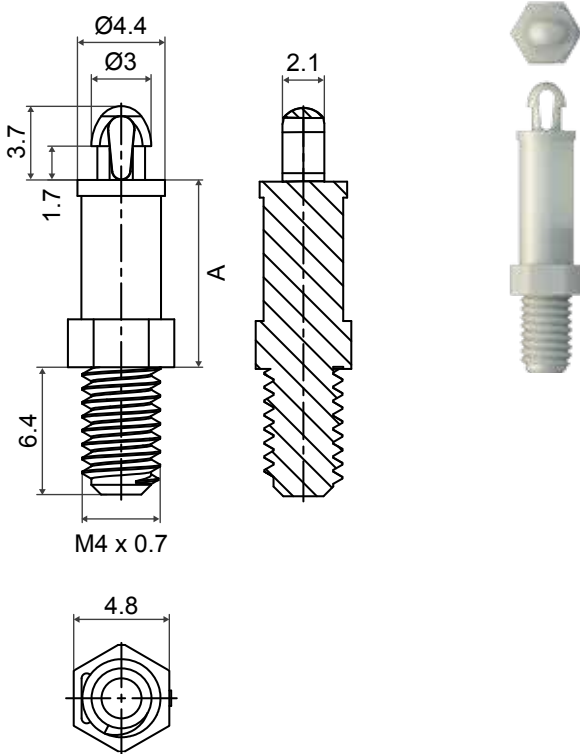
Part Number	Colour		"A"	"M"
TRMSCBSM - M4 - 2 - 01	B	N	3.2	M4
TRMSCBSM - M4 - 3 - 01	B	N	4.8	M4
TRMSCBSM - M4 - 4 - 01	B	N	6.4	M4
TRMSCBSM - M4 - 5 - 01	B	N	7.9	M4
TRMSCBSM - M4 - 6 - 01	B	N	9.5	M4
TRMSCBSM - M4 - 7 - 01	B	N	11.1	M4
TRMSCBSM - M4 - 8 - 01	B	N	12.7	M4
TRMSCBSM - M4 - 9 - 01	B	N	14.3	M4
TRMSCBSM - M4 - 10 - 01	B	N	15.9	M4

Part Number	Colour		"A"	"Inch"
TRSCBSM - 632 - 2 - 01	B	N	3.2	#6-32
TRSCBSM - 632 - 3 - 01	B	N	4.8	#6-32
TRSCBSM - 632 - 4 - 01	B	N	6.4	#6-32
TRSCBSM - 632 - 5 - 01	B	N	7.9	#6-32
TRSCBSM - 632 - 6 - 01	B	N	9.5	#6-32
TRSCBSM - 632 - 7 - 01	B	N	11.1	#6-32
TRSCBSM - 632 - 8 - 01	B	N	12.7	#6-32
TRSCBSM - 632 - 9 - 01	B	N	14.3	#6-32
TRSCBSM - 632 - 10 - 01	B	N	15.9	#6-32

# Circuit Board Support

TRMSCBST/TRLCBS

## Male Mini Circuit Board Support

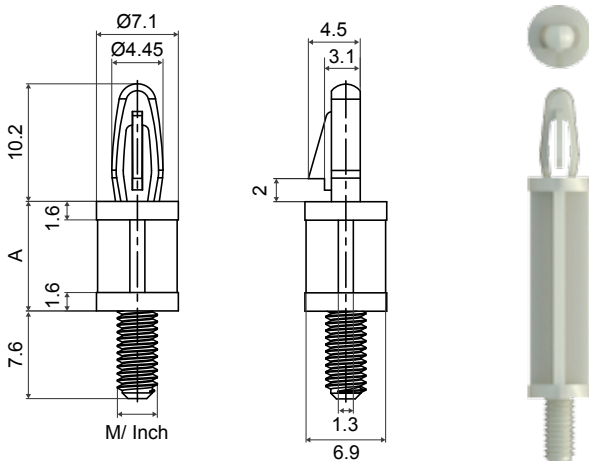


Screw Threaded Series  
 Type Hex Mini Male Circuit Board  
 Support  
 Styles A Male  
 Material Nylon 6/6 V2 / TMS 001  
 Colour Black/Natural  
 Unit mm  
 Panel Thickness 1.6 mm  
 Top Hole Snap-lock  $\varnothing 2.50 \pm 0.05$  mm  
 Bottom Thickness See chart for thread options

Part number example -  
 Black = TRMSCBST-M4-10-01B  
 Natural = TRMSCBST-M4-10-01N

Part Number	Colour		"A"	"M"
TRMSCBST - M4 - 2 - 01	B	N	3.2	M4
TRMSCBST - M4 - 3 - 01	B	N	4.8	M4
TRMSCBST - M4 - 4 - 01	B	N	6.4	M4
TRMSCBST - M4 - 5 - 01	B	N	7.9	M4
TRMSCBST - M4 - 6 - 01	B	N	9.5	M4
TRMSCBST - M4 - 7 - 01	B	N	11.1	M4
TRMSCBST - M4 - 8 - 01	B	N	12.7	M4
TRMSCBST - M4 - 9 - 01	B	N	14.3	M4
TRMSCBST - M4 - 10 - 01	B	N	15.9	M4

## Round Male Circuit Board Support



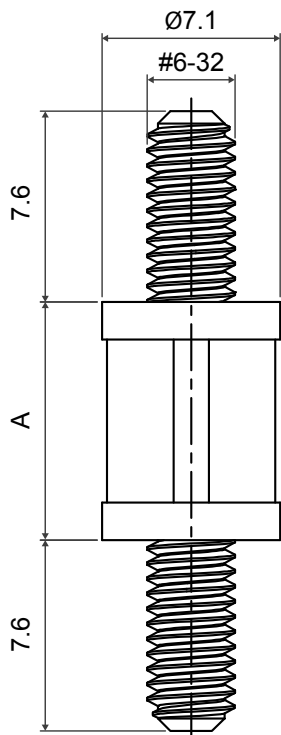
Screw Threaded Series  
 Type Round Male Circuit Board  
 Support  
 Styles A Male  
 Material Nylon 6/6 V2 / TMS 001  
 Colour Black/Natural  
 Unit mm  
 Panel Thickness 1.57 mm  
 Top Hole Snap-lock  $\varnothing 4 \pm 0.08$  mm  
 Bottom Thickness See chart for thread options

Part number example -  
 Black = TRLCBS-TM-4-01B  
 Natural = TRLCBS-TM-4-01N

Part Number	Colour		"A"	"Inch"
TRLCBS - TM - 4 - 01	B	N	6.4	#6-32
TRLCBS - TM - 6 - 01	B	N	9.5	#6-32
TRLCBS - TM - 8 - 01	B	N	12.7	#6-32
TRLCBS - TM - 10 - 01	B	N	15.9	#6-32
TRLCBS - TM - 12 - 01	B	N	19.1	#6-32
TRLCBS - TM - 14 - 01	B	N	22.2	#6-32
TRLCBS - TM - 16 - 01	B	N	25.4	#6-32

Part Number	Colour		"A"	"M"
TRLCBS - TM - M4 - 4 - 01	B	N	6.4	M4
TRLCBS - TM - M4 - 6 - 01	B	N	9.5	M4
TRLCBS - TM - M4 - 8 - 01	B	N	12.7	M4
TRLCBS - TM - M4 - 10 - 01	B	N	15.9	M4
TRLCBS - TM - M4 - 12 - 01	B	N	19.1	M4
TRLCBS - TM - M4 - 14 - 01	B	N	22.2	M4
TRLCBS - TM - M4 - 16 - 01	B	N	25.4	M4

## Nylon Round Threaded Spacer (Cross)



Screw Threaded Series	Nylon Round Male/Male Spacer
Type	Round Circuit Board Supports
Styles	Male / Male
Material	Nylon 6/6 V2 / TMS 001
Colour	Black / Natural
Unit	mm
Bottom Thickness	See table for thread size "Inch"

Part number example -  
 Black = TRCBS-TMM-4-01B  
 Natural = TRCBS-TMM-4-01N

Part Number	Colour		"A"	"Inch"
	B	N		
TRCBS-TMM - 4 - 01	B	N	6.4	#6-32
TRCBS-TMM - 6 - 01	B	N	9.5	#6-32
TRCBS-TMM - 8 - 01	B	N	12.7	#6-32
TRCBS-TMM - 10 - 01	B	N	15.9	#6-32
TRCBS-TMM - 12 - 01	B	N	19.1	#6-32
TRCBS-TMM - 14 - 01	B	N	22.2	#6-32
TRCBS-TMM - 16 - 01	B	N	25.4	#6-32

# Support Post Series

TRSP1/TRSP2/TRSP3



## Round Support Post (Cross)



Support Post Series

Type

Material

Colour

Unit

Panel Thickness

Standard Pack

Round Support Post

Nylon 6/6 V2 / TMS 001

Nylon 6/6 V0 / TMS 019

Natural/Black

mm

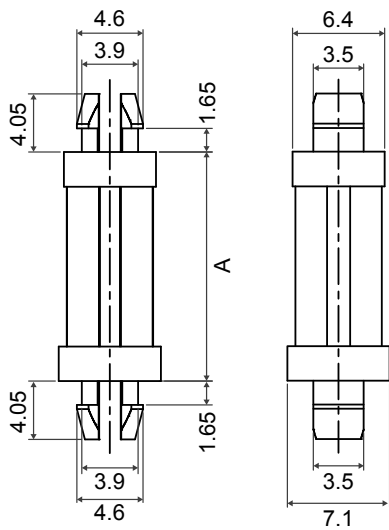
1.6mm

1,000 per bag

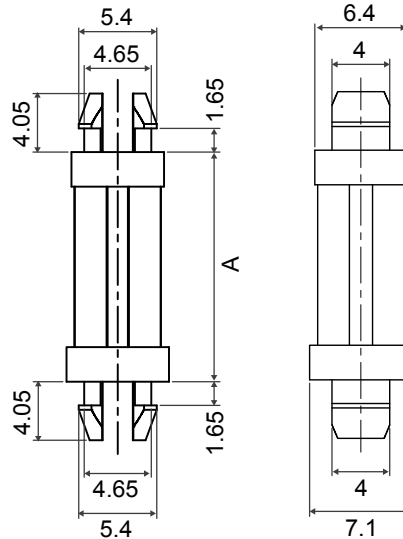
Part number example -

Nylon 6/6 V2 = TRSP1-22-01

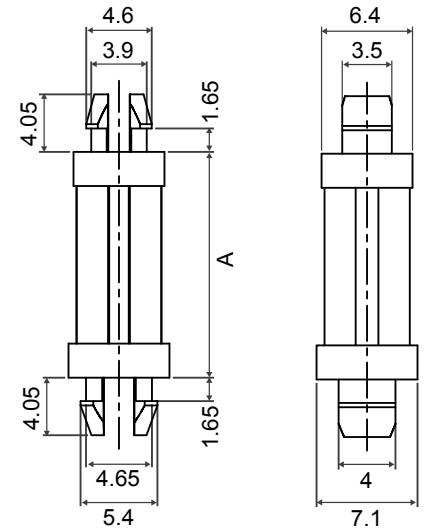
Nylon 6/6 V0 = TRSP1-22-19



Type: 1



Type: 2



Type: 3

Part Number	Colour	"A" ± 0.4
TRSP1 - 3 - 01	N B	4.8
TRSP1 - 4 - 01	N B	6.4
TRSP1 - 5 - 01	N B	7.9
TRSP1 - 6 - 01	N B	9.5
TRSP1 - 7 - 01	N B	11.1
TRSP1 - 8 - 01	N B	12.7
TRSP1 - 9 - 01	N B	14.3
TRSP1 - 10 - 01	N B	15.9
TRSP1 - 12 - 01	N B	19.1
TRSP1 - 14 - 01	N B	22.2
TRSP1 - 16 - 01	N B	25.4

Part Number	Colour	"A" ± 0.4
TRSP2 - 3 - 01	N B	4.8
TRSP2 - 4 - 01	N B	6.4
TRSP2 - 5 - 01	N B	7.9
TRSP2 - 6 - 01	N B	9.5
TRSP2 - 7 - 01	N B	11.1
TRSP2 - 8 - 01	N B	12.7
TRSP2 - 9 - 01	N B	14.3
TRSP2 - 10 - 01	N B	15.9
TRSP2 - 12 - 01	N B	19.1
TRSP2 - 14 - 01	N B	22.2
TRSP2 - 16 - 01	N B	25.4

Part Number	Colour	"A" ± 0.4
TRSP3 - 3 - 01	N B	4.8
TRSP3 - 4 - 01	N B	6.4
TRSP3 - 5 - 01	N B	7.9
TRSP3 - 6 - 01	N B	9.5
TRSP3 - 7 - 01	N B	11.1
TRSP3 - 8 - 01	N B	12.7
TRSP3 - 9 - 01	N B	14.3
TRSP3 - 10 - 01	N B	15.9
TRSP3 - 12 - 01	N B	19.1
TRSP3 - 14 - 01	N B	22.2
TRSP3 - 16 - 01	N B	25.4

Type	Top Hole	Bottom Hole
1	4.0 +/- 0.08	4.0 +/- 0.08

Type	Top Hole	Bottom Hole
2	4.8 +/- 0.08	4.8 +/- 0.08

Type	Top Hole	Bottom Hole
3	4.0 +/- 0.08	4.8 +/- 0.08

# Support Post Series

TRDLMSPM/TRDLMSP



## Round Mini Support Dual Lock



Support Post Series

Type

Material

Colour

Unit

Panel Thickness

Round Mini Support Dual Lock

Nylon 6/6 V2 / TMS 001

Nylon 6/6 V0 / TMS 019

Natural

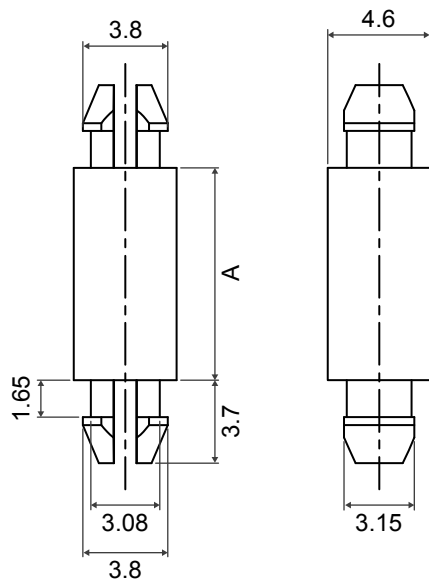
mm

1.6mm

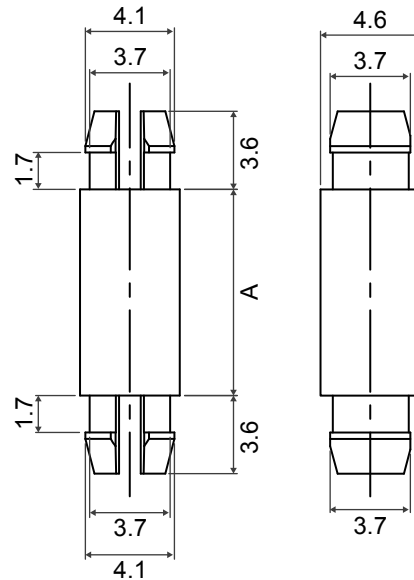
Part number example -

Nylon 6/6 V2 = TRDLMSPM-22-01

Nylon 6/6 V0 = TRDLMSPM-22-19



Type: 1



Type: 2

Part Number	"A" ± 0.4
TRDLMSPM - 2 - 01	3.2
TRDLMSPM - 3 - 01	4.8
TRDLMSPM - 4 - 01	6.4
TRDLMSPM - 5 - 01	7.9
TRDLMSPM - 6 - 01	9.5
TRDLMSPM - 7 - 01	11.1
TRDLMSPM - 8 - 01	12.7
TRDLMSPM - 9 - 01	14.3
TRDLMSPM - 10 - 01	15.9
TRDLMSPM - 11 - 01	17.5
TRDLMSPM - 12 - 01	19.1
TRDLMSPM - 13 - 01	20.6
TRDLMSPM - 14 - 01	22.2
TRDLMSPM - 16 - 01	25.4
TRDLMSPM - 18 - 01	28.6
TRDLMSPM - 20 - 01	31.7
TRDLMSPM - 22 - 01	34.9
TRDLMSPM - 24 - 01	38.1

Part Number	"A" ± 0.4
TRDLMSP - 2 - 01	3.2
TRDLMSP - 3 - 01	4.8
TRDLMSP - 4 - 01	6.4
TRDLMSP - 5 - 01	7.9
TRDLMSP - 6 - 01	9.5
TRDLMSP - 7 - 01	11.1
TRDLMSP - 8 - 01	12.7
TRDLMSP - 9 - 01	14.3
TRDLMSP - 10 - 01	15.9
TRDLMSP - 11 - 01	17.5
TRDLMSP - 12 - 01	19.1
TRDLMSP - 13 - 01	20.6
TRDLMSP - 14 - 01	22.2
TRDLMSP - 16 - 01	25.4
TRDLMSP - 18 - 01	28.6
TRDLMSP - 20 - 01	31.7
TRDLMSP - 22 - 01	34.9
TRDLMSP - 24 - 01	38.1

Type	Top Hole	Bottom Hole
1	3.2 +/- 0.08	3.2 +/- 0.08

Type	Top Hole	Bottom Hole
2	3.9 +/- 0.08	3.9 +/- 0.08

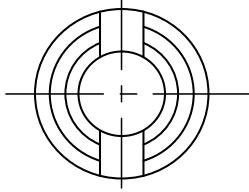


# Support Post Series

TRRSRS4/TRRSRS6/TRRSRS8



## Self Retaining Support Post



Support Post Series

Type

Self-Retaining Support Post

Material

Nylon 6/6 V2 / TMS 001

Nylon 6/6 V0 / TMS 019

Colour

Natural

Unit

mm

Panel Thickness

1.6mm

Standard Pack

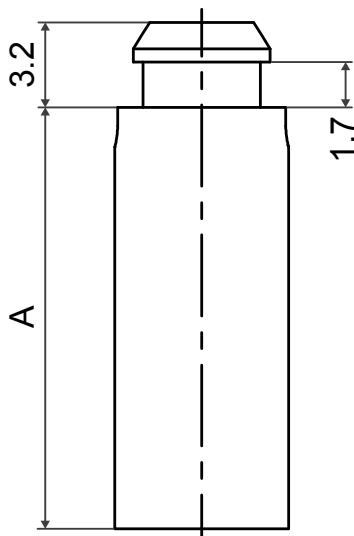
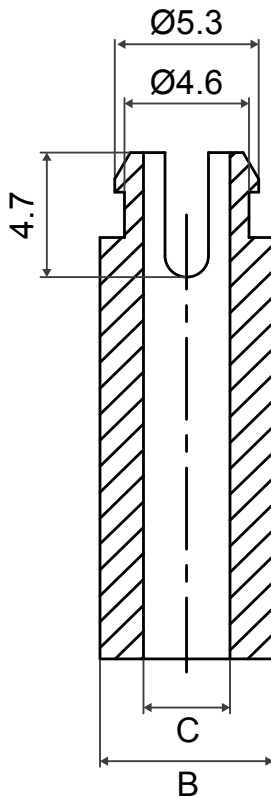
1,000 per bag



Part number example -

Nylon 6/6 V2 = TRRSRS4-16-01

Nylon 6/6 V0 = TRRSRS4-16-19



### TRRSRS4 = For #4/M3 Screw

Part Number	Hole DIA	"A"	"B"	"C"
TRRSRS4 - 2 - 01	4.7	3.2	6.4	3.2
TRRSRS4 - 3 - 01		4.8		
TRRSRS4 - 4 - 01		6.4		
TRRSRS4 - 5 - 01		7.9		
TRRSRS4 - 6 - 01		9.5		
TRRSRS4 - 7 - 01		11.1		
TRRSRS4 - 8 - 01		12.7		
TRRSRS4 - 10 - 01		15.9		
TRRSRS4 - 12 - 01		19.1		
TRRSRS4 - 14 - 01		22.2		
TRRSRS4 - 16 - 01		25.4		

### TRRSRS6 = For #6/M3 Screw

Part Number	Hole DIA	"A"	"B"	"C"
TRRSRS6 - 4 - 01	5.9	6.4	7.0	3.9
TRRSRS6 - 5 - 01		7.9		
TRRSRS6 - 6 - 01		9.5		
TRRSRS6 - 7 - 01		11.1		
TRRSRS6 - 8 - 01		12.7		
TRRSRS6 - 10 - 01		15.9		
TRRSRS6 - 12 - 01		19.1		
TRRSRS6 - 14 - 01		22.2		
TRRSRS6 - 16 - 01		25.4		

### TRRSRS8 = For #8/M4 Screw

Part Number	Hole DIA	"A"	"B"	"C"
TRRSRS8 - 4 - 01	5.9	6.4	7.0	4.3
TRRSRS8 - 5 - 01		7.9		
TRRSRS8 - 6 - 01		9.5		
TRRSRS8 - 7 - 01		11.1		
TRRSRS8 - 8 - 01		12.7		
TRRSRS8 - 10 - 01		15.9		
TRRSRS8 - 12 - 01		19.1		
TRRSRS8 - 14 - 01		22.2		
TRRSRS8 - 16 - 01		25.4		

# Support Post Series

TRMSP/TRMSPM



## Mini Circuit Board Post



Support Post Series

Type

Material

Colour

Unit

Panel Thickness

Standard Pack

Mini Circuit Board Post

Nylon 6/6 V2 / TMS 001

Nylon 6/6 V0 / TMS 019

Natural

mm

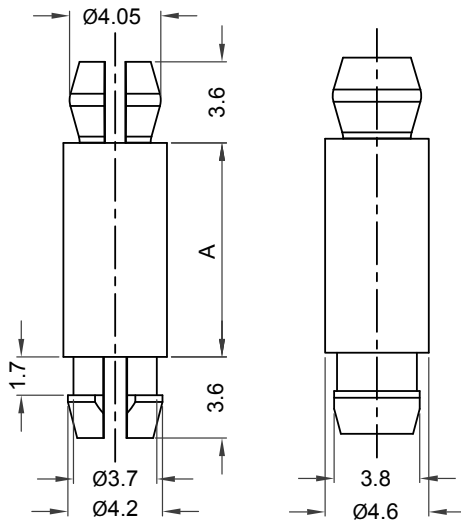
1.6mm

1,000 per bag

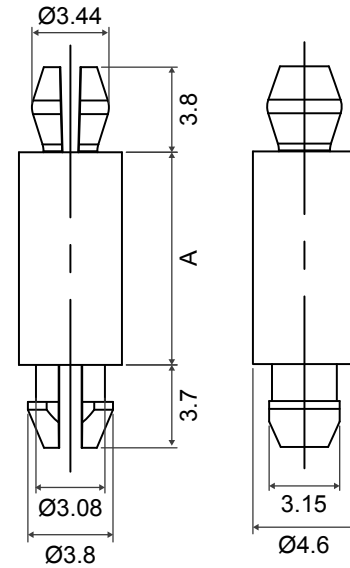
Part number example -

Nylon 6/6 V2 = TRMSP-24-01

Nylon 6/6 V0 = TRMSP-24-19



**Type: 1**



**Type: 2**

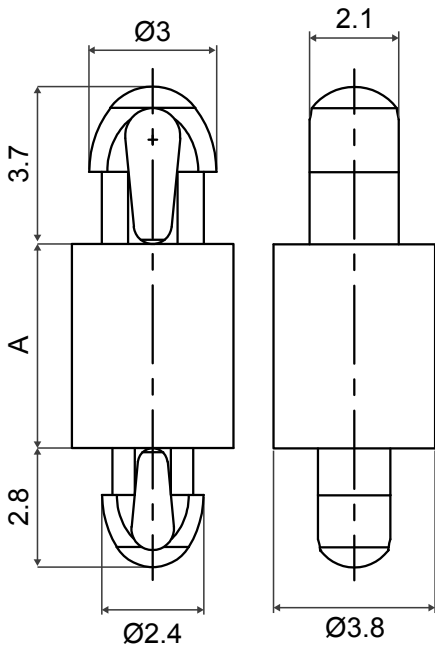
Part Number	"A" ± 0.4
TRMSP - 1 - 01	2.0
TRMSP - 2 - 01	3.2
TRMSP - 3 - 01	4.8
TRMSP - 4 - 01	6.4
TRMSP - 5 - 01	7.9
TRMSP - 6 - 01	9.5
TRMSP - 7 - 01	11.1
TRMSP - 8 - 01	12.7
TRMSP - 9 - 01	14.3
TRMSP - 10 - 01	15.9
TRMSP - 11 - 01	17.5
TRMSP - 12 - 01	19.1
TRMSP - 13 - 01	20.6
TRMSP - 14 - 01	22.2
TRMSP - 16 - 01	25.4
TRMSP - 18 - 01	28.6
TRMSP - 20 - 01	31.7
TRMSP - 22 - 01	34.9
TRMSP - 24 - 01	38.1

Part Number	"A" ± 0.4
TRMSPM - 1 - 01	2.0
TRMSPM - 2 - 01	3.2
TRMSPM - 3 - 01	4.8
TRMSPM - 4 - 01	6.4
TRMSPM - 5 - 01	7.9
TRMSPM - 6 - 01	9.5
TRMSPM - 7 - 01	11.1
TRMSPM - 8 - 01	12.7
TRMSPM - 9 - 01	14.3
TRMSPM - 10 - 01	15.9
TRMSPM - 11 - 01	17.5
TRMSPM - 12 - 01	19.1
TRMSPM - 13 - 01	20.6
TRMSPM - 14 - 01	22.2
TRMSPM - 16 - 01	25.4
TRMSPM - 18 - 01	28.6
TRMSPM - 20 - 01	31.7
TRMSPM - 22 - 01	34.9
TRMSPM - 24 - 01	38.1

Type	Top Hole	Bottom Hole
1	ø 3.86 mm	ø 3.86 mm

Type	Top Hole	Bottom Hole
2	ø 3.2 mm	ø 3.2 mm

## Mini Dual Locking Support Post



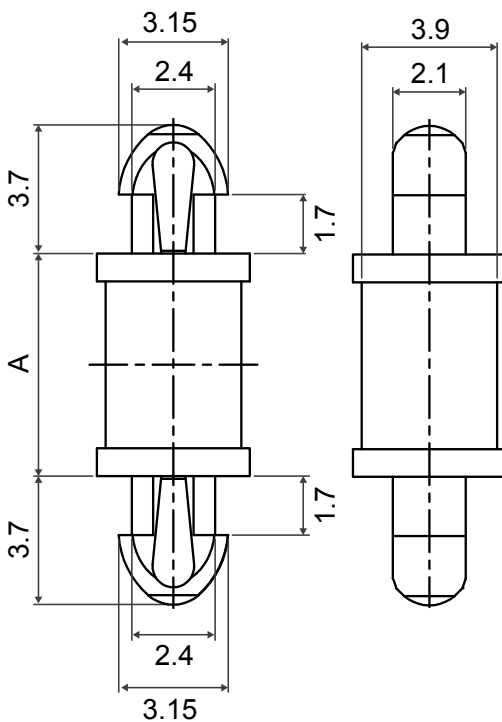
Support Post Series  
 Type Mini Dual Locking Support Post  
 Material Nylon 6/6 V2 / TMS 001  
 Nylon 6/6 V0 / TMS 019  
 Colour Natural  
 Unit mm  
 Standard Pack 1,000 per bag

Part number example -  
 Nylon 6/6 V2 = TRMDLSP3-6-01  
 Nylon 6/6 V0 = TRMDLSP3-6-19

Top Hole 2.5mm +/- 0.05 Panel Thickness 1.6mm  
 Bottom Hole 2.0 +/- 0.05 Panel Thickness 1.0mm

Part Number	"A" ± 0.4
TRMDLSP3 - 1 - 01	1.6
TRMDLSP3 - 2 - 01	3.2
TRMDLSP3 - 3 - 01	4.8
TRMDLSP3 - 4 - 01	6.4
TRMDLSP3 - 5 - 01	7.9
TRMDLSP3 - 6 - 01	9.5

## Round Dual Locking Support Post Tear Drop



Support Post Series  
 Type Round Dual Locking Support Post Tear Drop  
 Material Nylon 6/6 V2 / TMS 001  
 Nylon 6/6 V0 / TMS 019  
 Colour Natural  
 Unit mm  
 Panel Thickness 1.6mm  
 Standard Pack 1,000 per bag

Part number example -  
 Nylon 6/6 V2 = TRDLCBST-14-01  
 Nylon 6/6 V0 = TRDLCBST-14-19

Top and Bottom Hole 2.5mm +/- 0.05

Part Number	"A" ± 0.4
TRDLCBST - 1 - 01	1.6
TRDLCBST - 2 - 01	3.2
TRDLCBST - 3 - 01	4.8
TRDLCBST - 4 - 01	6.4
TRDLCBST - 5 - 01	7.9
TRDLCBST - 6 - 01	9.5
TRDLCBST - 7 - 01	11.1
TRDLCBST - 8 - 01	12.7
TRDLCBST - 9 - 01	14.3
TRDLCBST - 10 - 01	15.9
TRDLCBST - 14 - 01	22.2

# Support Post Series

TRMDLSP1/TRMDLSP2/TRMDLSPK1/TRMDLSPK2



## Mini Dual Locking Support Post (Metric)



Support Post Series

Type

Material

Colour

Unit

Standard Pack

Mini Dual Locking Support Post

Nylon 6/6 V2 / TMS 001

Nylon 6/6 V0 / TMS 019

Natural

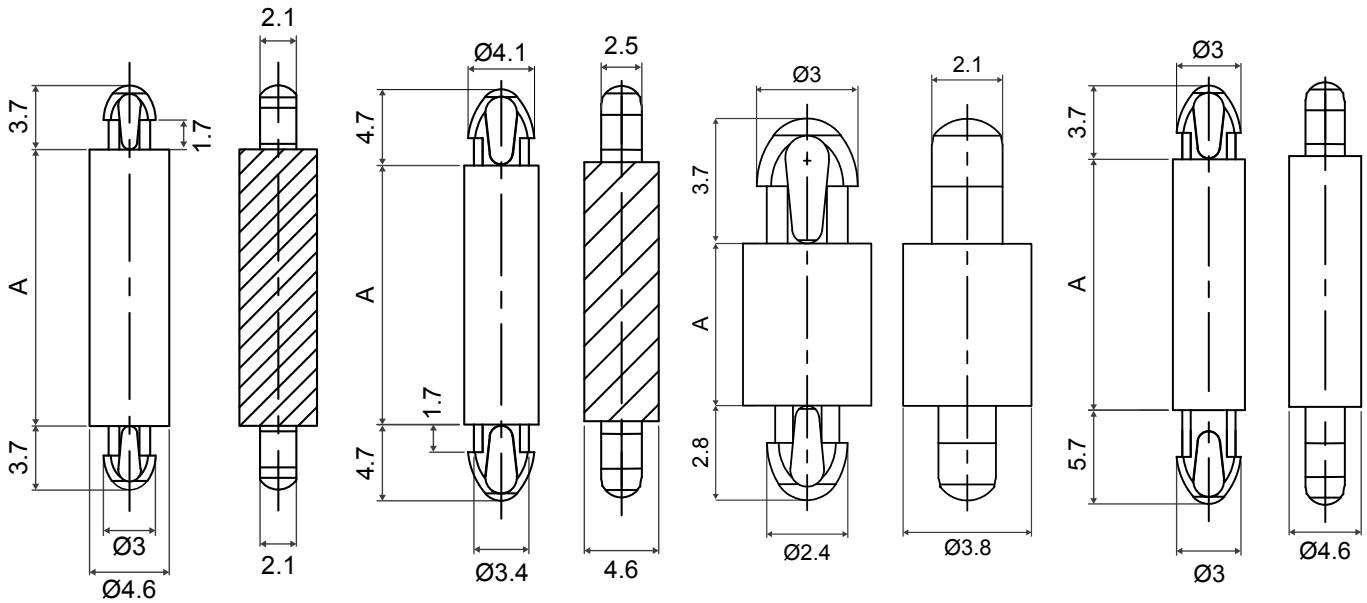
mm

1,000 per bag

Part number example -

Nylon 6/6 V2 = TRMDLSP1-22M-01

Nylon 6/6 V0 = TRMDLSP1-22M-19



1

2

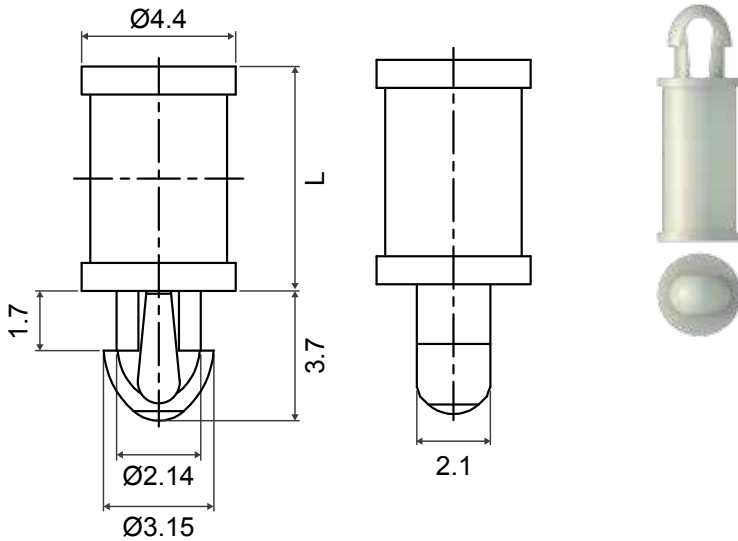
3

4

Part Number	"A" ± 0.4	Part Number	"A" ± 0.4	Part Number	"A" ± 0.4	Part Number	"A" ± 0.4
TRMDLSP1 - 2M - 01	2.0	TRMDLSP2 - 2M - 01	2.0	TRMDLSPK1 - 2M - 01	2.0	TRMDLSPK2 - 2M - 01	2.0
TRMDLSP1 - 3M - 01	3.0	TRMDLSP2 - 3M - 01	3.0	TRMDLSPK1 - 3M - 01	3.0	TRMDLSPK2 - 3M - 01	3.0
TRMDLSP1 - 4M - 01	4.0	TRMDLSP2 - 4M - 01	4.0	TRMDLSPK1 - 4M - 01	4.0	TRMDLSPK2 - 4M - 01	4.0
TRMDLSP1 - 5M - 01	5.0	TRMDLSP2 - 5M - 01	5.0	TRMDLSPK1 - 5M - 01	5.0	TRMDLSPK2 - 5M - 01	5.0
TRMDLSP1 - 6M - 01	6.0	TRMDLSP2 - 6M - 01	6.0	TRMDLSPK1 - 6M - 01	6.0	TRMDLSPK2 - 6M - 01	6.0
TRMDLSP1 - 7M - 01	7.0	TRMDLSP2 - 7M - 01	7.0	TRMDLSPK1 - 7M - 01	7.0	TRMDLSPK2 - 7M - 01	7.0
TRMDLSP1 - 8M - 01	8.0	TRMDLSP2 - 8M - 01	8.0	TRMDLSPK1 - 8M - 01	8.0	TRMDLSPK2 - 8M - 01	8.0
TRMDLSP1 - 9M - 01	9.0	TRMDLSP2 - 9M - 01	9.0	TRMDLSPK1 - 10M - 01	10.0	TRMDLSPK2 - 10M - 01	10.0
TRMDLSP1 - 10M - 01	10.0	TRMDLSP2 - 10M - 01	10.0	TRMDLSPK1 - 12M - 01	12.0	TRMDLSPK2 - 12M - 01	12.0
TRMDLSP1 - 12M - 01	12.0	TRMDLSP2 - 12M - 01	12.0	TRMDLSPK1 - 14M - 01	14.0	TRMDLSPK2 - 14M - 01	14.0
TRMDLSP1 - 14M - 01	14.0	TRMDLSP2 - 14M - 01	14.0	TRMDLSPK1 - 16M - 01	16.0	TRMDLSPK2 - 16M - 01	16.0
TRMDLSP1 - 16M - 01	16.0	TRMDLSP2 - 16M - 01	16.0	TRMDLSPK1 - 18M - 01	18.0	TRMDLSPK2 - 18M - 01	18.0
TRMDLSP1 - 18M - 01	18.0	TRMDLSP2 - 18M - 01	18.0	TRMDLSPK1 - 20M - 01	20.0	TRMDLSPK2 - 20M - 01	20.0
TRMDLSP1 - 20M - 01	20.0	TRMDLSP2 - 20M - 01	20.0	TRMDLSPK1 - 22M - 01	22.0	TRMDLSPK2 - 22M - 01	22.0
TRMDLSP1 - 22M - 01	22.0	TRMDLSP2 - 22M - 01	22.0				

Type	1	Type	2	Type	3	Type	4
Top & Bottom Hole	2.5mm +/- 0.05	Top & Bottom Hole	3.5mm +/- 0.05	Top & Bottom Hole	2.5mm +/- 0.05	Top & Bottom Hole	3.5mm +/- 0.05
Panel Thickness	1.6mm	Panel Thickness	1.6mm	Top Panel Thickness	1.6mm	Top Panel Thickness	1.6mm
				Bottom Panel Thickness	3.6mm	Bottom Panel Thickness	3.6mm

## Round Push Support Post Tear Drop



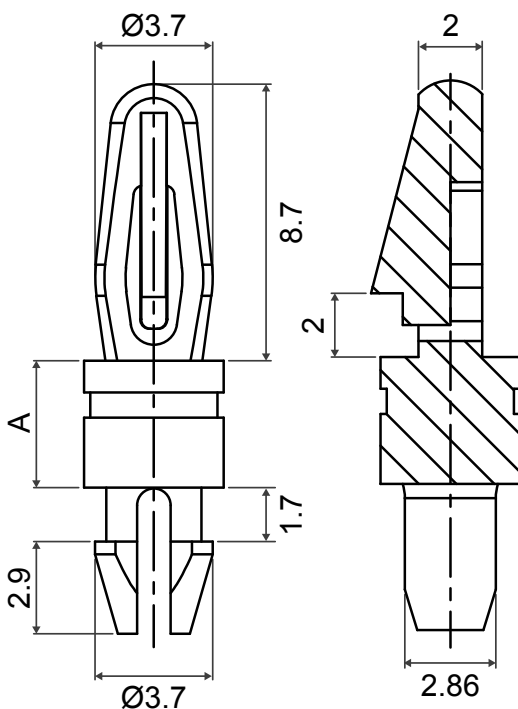
Support Post Series  
Type Round Push Support Post  
Tear Drop  
Material Nylon 6/6 V2 / TMS 001  
Nylon 6/6 V0 / TMS 019  
Colour Natural  
Unit mm  
Standard Pack 1,000 per bag

Part number example -  
Nylon 6/6 V2 = TRPST-10-01  
Nylon 6/6 V0 = TRPST-10-19

Bottom Hole 2.5mm +/- 0.05 Panel Thickness 1.6mm

Part Number	"A" ± 0.4
TRPST - 1 - 01	1.6
TRPST - 2 - 01	3.2
TRPST - 3 - 01	4.8
TRPST - 4 - 01	6.4
TRPST - 5 - 01	7.9
TRPST - 6 - 01	9.5
TRPST - 7 - 01	11.1
TRPST - 8 - 01	12.7
TRPST - 9 - 01	14.3
TRPST - 10 - 01	15.9

## Round Dual Locking Support Post



Support Post Series  
Type Round Dual Locking Support  
Post  
Material Nylon 6/6 V2 / TMS 001  
Nylon 6/6 V0 / TMS 019  
Colour Natural  
Unit mm  
Standard Pack 1,000 per bag

Part number example -  
Nylon 6/6 V2 = TRLMSP-14-01  
Nylon 6/6 V0 = TRLMSP-14-19

Top and Bottom Hole 3.2mm +/- 0.05  
Panel Thickness 1.6mm

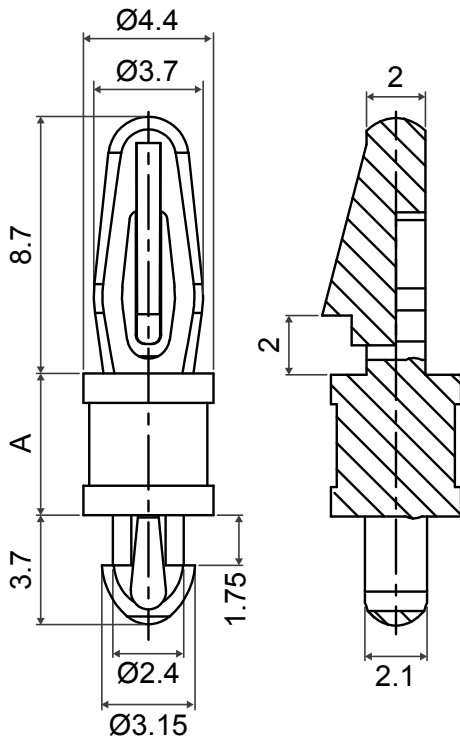
Part Number	"A" ± 0.4
TRLMSP - 2 - 01	3.2
TRLMSP - 3 - 01	4.8
TRLMSP - 4 - 01	6.4
TRLMSP - 5 - 01	7.9
TRLMSP - 6 - 01	9.5
TRLMSP - 7 - 01	11.1
TRLMSP - 8 - 01	12.7
TRLMSP - 9 - 01	14.3
TRLMSP - 10 - 01	15.9
TRLMSP - 12 - 01	19.1
TRLMSP - 14 - 01	22.2

# Support Post Series

TRLCBST/TRBHL/TRBHC



## Round Locking Support Post Tear Drop



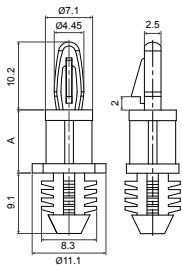
Support Post Series  
Type Round Dual Locking Support Post  
Material Nylon 6/6 V2 / TMS 001  
Colour Natural  
Unit mm  
Panel Thickness 1.6mm  
Standard Pack 1,000 per bag

Part number example -  
Nylon 6/6 V2 = TRLCBST-10-01

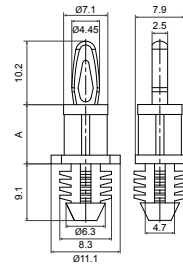
Top Hole 3.2mm +/- 0.05  
Bottom Hole 2.5mm +/- 0.05

Part Number	"A" ± 0.4
TRLCBST - 2 - 01	3.2
TRLCBST - 3 - 01	4.8
TRLCBST - 4 - 01	6.4
TRLCBST - 5 - 01	7.9
TRLCBST - 6 - 01	9.5
TRLCBST - 7 - 01	11.1
TRLCBST - 8 - 01	12.7
TRLCBST - 10 - 01	15.9

## Round Non-Threaded Circuit Board Support Post (Cross)



Type: 1



Type: 2



Support Post Series  
Type Round Non-Threaded Support Post  
Material Nylon 6/6 V2 / TMS 001  
Nylon 6/6 V0 / TMS 019  
Colour Natural  
Unit mm  
Standard Pack 1,000 per bag

Part number example -  
Nylon 6/6 V2 = TRBHL-14-01  
Nylon 6/6 V0 = TRBHL-14-19

Type 1	
Part Number	"A" ± 0.4
TRBHL - 3 - 01	4.8
TRBHL - 4 - 01	6.4
TRBHL - 6 - 01	9.5
TRBHL - 7 - 01	11.1
TRBHL - 8 - 01	12.7
TRBHL - 10 - 01	15.9
TRBHL - 12 - 01	19.1
TRBHL - 14 - 01	22.2

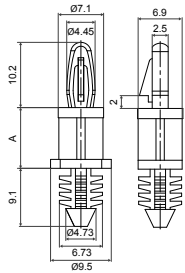
Type 2	
Part Number	"A" ± 0.4
TRBHC - 3 - 01	4.8
TRBHC - 4 - 01	6.4
TRBHC - 6 - 01	9.5
TRBHC - 7 - 01	11.1
TRBHC - 8 - 01	12.7
TRBHC - 10 - 01	15.9
TRBHC - 12 - 01	19.1
TRBHC - 14 - 01	22.2

Top Hole 4.0mm +/-0.05 Panel Thickness 1.6mm  
Bottom Hole 7.9mm +/-0.05 Panel Thickness 6.4mm MIN  
Please note: range continues overleaf

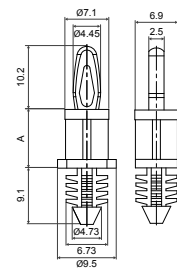
# Support Post Series

TRBHL1/TRBHC1/TRBHDL/TRBHLD1

## Round Non-Threaded Circuit Board Support Post (Cross) continued



Type: 3



Type: 4



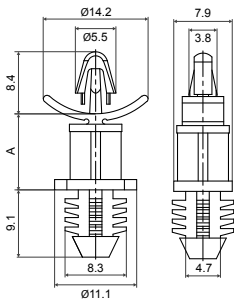
Support Post Series  
 Type Round Non-Threaded Support Post  
 Material Nylon 6/6 V2 / TMS 001  
 Nylon 6/6 V0 / TMS 019  
 Colour Natural  
 Unit mm  
 Standard Pack 1,000 per bag

Part number example -  
 Nylon 6/6 V2 = TRBHL1-14-01  
 Nylon 6/6 V0 = TRBHL1-14-19

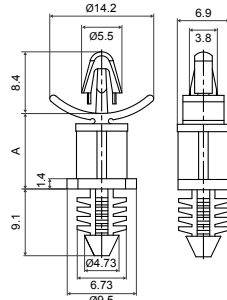
Type 3	
Part Number	"A" ± 0.4
TRBHL1 - 3 - 01	4.8
TRBHL1 - 4 - 01	6.4
TRBHL1 - 6 - 01	9.5
TRBHL1 - 7 - 01	11.1
TRBHL1 - 8 - 01	12.7
TRBHL1 - 10 - 01	15.9
TRBHL1 - 12 - 01	19.1
TRBHL1 - 14 - 01	22.2

Type 4	
Part Number	"A" ± 0.4
TRBHC1 - 3 - 01	4.8
TRBHC1 - 4 - 01	6.4
TRBHC1 - 6 - 01	9.5
TRBHC1 - 7 - 01	11.1
TRBHC1 - 8 - 01	12.7
TRBHC1 - 10 - 01	15.9
TRBHC1 - 12 - 01	19.1
TRBHC1 - 14 - 01	22.2

Top Hole  $\varnothing 4.0 \pm 0.08$  mm Panel Thickness 1.57 mm  
 Bottom Hole  $\varnothing 6.35 \pm 0.08$  mm Panel Thickness 6.4 mm MIN



Type: 5



Type: 6



Support Post Series  
 Type Round Non-Threaded Support Post  
 Material Nylon 6/6 V2 / TMS 001  
 Nylon 6/6 V0 / TMS 019  
 Colour Natural  
 Unit mm  
 Standard Pack 1,000 per bag

Part number example -  
 Nylon 6/6 V2 = TRBHDL-14-01  
 Nylon 6/6 V0 = TRBHDL-14-19

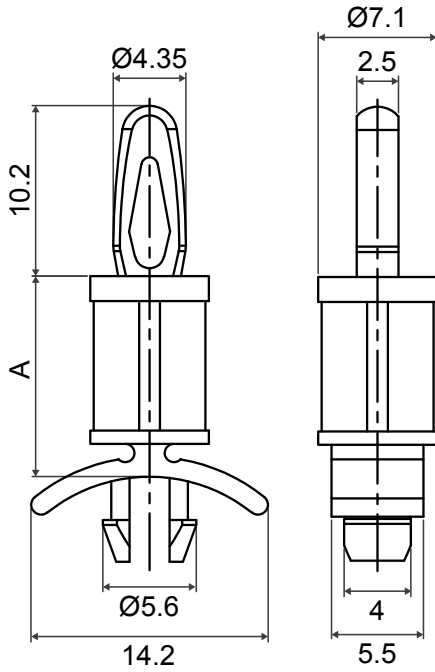
Type 5	
Part Number	"A" ± 0.4
TRBHDL - 4 - 01	6.4
TRBHDL - 6 - 01	9.5
TRBHDL - 8 - 01	12.7
TRBHDL - 10 - 01	15.9
TRBHDL - 12 - 01	19.1
TRBHDL - 14 - 01	22.2

Type	5
Top Hole	$\varnothing 4.0 \pm 0.08$ mm
Top Panel Thickness	0.79 ~ 1.98 mm
Bottom Hole	$\varnothing 7.92 \pm 0.08$ mm
Bottom Panel Thickness	6.4 mm MIN

Type 6	
Part Number	"A" ± 0.4
TRBHDL1 - 4 - 01	6.4
TRBHDL1 - 6 - 01	9.5
TRBHDL1 - 8 - 01	12.7
TRBHDL1 - 10 - 01	15.9
TRBHDL1 - 12 - 01	19.1
TRBHDL1 - 14 - 01	22.2

Type	6
Top Hole	$\varnothing 4.0 \pm 0.08$ mm
Top Panel Thickness	0.79 ~ 1.98 mm
Bottom Hole	$\varnothing 6.35 \pm 0.08$ mm
Bottom Panel Thickness	6.4 mm MIN

## Locking Support Post (Cross) 1



### Support Post Series

Type	Locking Support Post
Material	Nylon 6/6 V2 / TMS 001 Nylon 6/6 V0 / TMS 019
Colour	Natural
Unit	mm
Standard Pack	1,000 per bag

### Part number example -

Nylon 6/6 V2 = TRCBS-14-01

Nylon 6/6 V0 = TRCBS-14-19

Top Hole  $\varnothing 4.75 \pm 0.08$  mm Panel Thickness 0.79 ~ 1.98 mm  
Bottom Hole  $\varnothing 4.0 \pm 0.08$  mm Panel Thickness 1.57 mm

Part Number	"A" $\pm 0.4$
TRCBS - 3 - 01	4.8
TRCBS - 4 - 01	6.4
TRCBS - 6 - 01	9.5
TRCBS - 8 - 01	12.7
TRCBS - 10 - 01	15.9
TRCBS - 12 - 01	19.1
TRCBS - 14 - 01	22.2

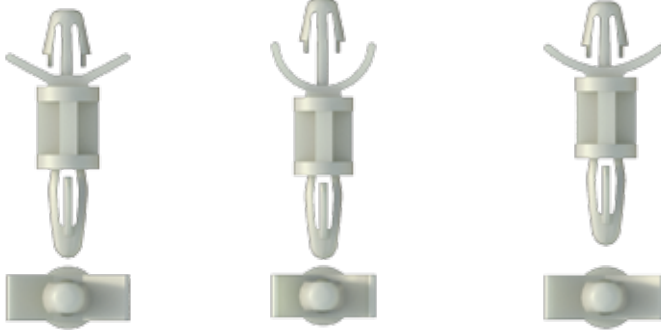


# Support Post Series

TRLCBS/TRLCBS2/TRLCBS3

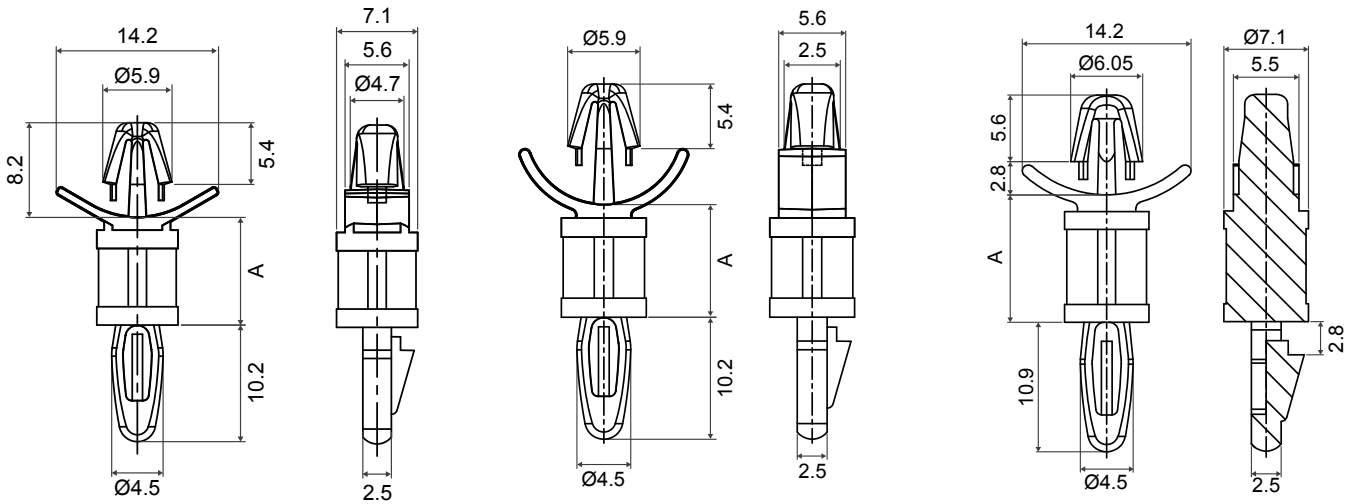


## Locking Support Post (Cross)



Support Post Series  
 Type Locking Support Post  
 Material Nylon 6/6 V2 / TMS 001  
 Nylon 6/6 V0 / TMS 019  
 Colour Natural  
 Unit mm  
 Standard Pack 1,000 per bag

Part number example -  
 Nylon 6/6 V2 = TRLCBS-22-01  
 Nylon 6/6 V0 = TRLCBS-22-19



Type 1 - "B" = 2.8

Type 2 - "B" = 4.6

Type 3 - "B" = 2.8

Part Number	"A" ± 0.4
TRLCBS - 3 - 01	4.8
TRLCBS - 4 - 01	6.4
TRLCBS - 5 - 01	7.9
TRLCBS - 6 - 01	9.5
TRLCBS - 7 - 01	11.1
TRLCBS - 8 - 01	12.7
TRLCBS - 10 - 01	15.9
TRLCBS - 12 - 01	19.1
TRLCBS - 14 - 01	22.2
TRLCBS - 16 - 01	25.4
TRLCBS - 18 - 01	28.6
TRLCBS - 20 - 01	31.7
TRLCBS - 22 - 01	34.9

Part Number	"A" ± 0.4
TRLCBS2 - 3 - 01	4.8
TRLCBS2 - 4 - 01	6.4
TRLCBS2 - 5 - 01	7.9
TRLCBS2 - 6 - 01	9.5
TRLCBS2 - 7 - 01	11.1
TRLCBS2 - 8 - 01	12.7
TRLCBS2 - 10 - 01	15.9
TRLCBS2 - 12 - 01	19.1
TRLCBS2 - 14 - 01	22.2
TRLCBS2 - 16 - 01	25.4
TRLCBS2 - 18 - 01	28.6
TRLCBS2 - 20 - 01	31.7
TRLCBS2 - 22 - 01	34.9

Part Number	"A" ± 0.4
TRLCBS3 - 3 - 01	4.8
TRLCBS3 - 4 - 01	6.4
TRLCBS3 - 5 - 01	7.9
TRLCBS3 - 6 - 01	9.5
TRLCBS3 - 7 - 01	11.1
TRLCBS3 - 8 - 01	12.7
TRLCBS3 - 10 - 01	15.9
TRLCBS3 - 12 - 01	19.1
TRLCBS3 - 14 - 01	22.2
TRLCBS3 - 16 - 01	25.4
TRLCBS3 - 18 - 01	28.6
TRLCBS3 - 20 - 01	31.7
TRLCBS3 - 22 - 01	34.9

Type	1
Top Hole	ø 4.75 ± 0.08 mm
Top Panel Thickness	0.79 ~ 1.98 mm
Bottom Hole	ø 4.0 ± 0.08 mm
Bottom Panel Thickness	1.57 mm

Type	2
Top Hole	ø 4.75 ± 0.08 mm
Top Panel Thickness	1.98 ~ 3.56 mm
Bottom Hole	ø 4.0 ± 0.08 mm
Bottom Panel Thickness	1.57 mm

Type	3
Top Hole	ø 4.75 ± 0.08 mm
Top Panel Thickness	0.79 ~ 1.98 mm
Bottom Hole	ø 4.0 ± 0.08 mm
Bottom Panel Thickness	2.36 mm

# Support Post Series

TRLNCBS/TRLCBS8/TRLCBSM



## Locking Support Post (Cross)

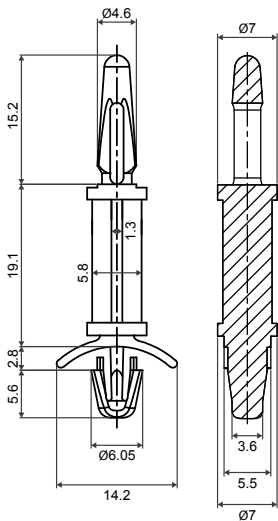


### Support Post Series

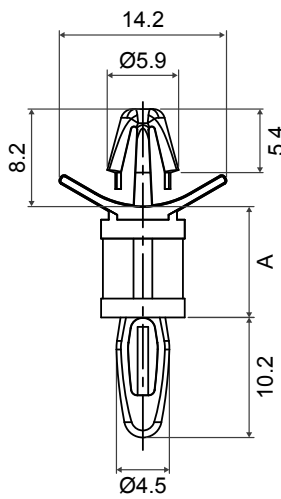
Type	Locking Support Post
Material	Nylon 6/6 V2 / TMS 001 Nylon 6/6 V0 / TMS 019
Colour	Natural
Unit	mm
Standard Pack	1,000 per bag

### Part number example -

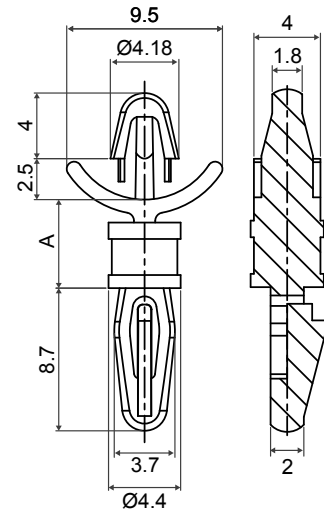
Nylon 6/6 V2 = TRLNCBS-22-01  
Nylon 6/6 V0 = TRLNCBS-22-19



Type 4 - "B" = 2.8



Type 5 - "B" = 2.0



Type 6 - "B" = 2.5

Part Number	"A" ± 0.4
TRLNCBS - 3 - 01	4.8
TRLNCBS - 4 - 01	6.4
TRLNCBS - 6 - 01	9.5
TRLNCBS - 8 - 01	12.7
TRLNCBS - 10 - 01	15.9
TRLNCBS - 12 - 01	19.1
TRLNCBS - 14 - 01	22.2

Part Number	"A" ± 0.4
TRLCBS8 - 3 - 01	4.8
TRLCBS8 - 4 - 01	6.4
TRLCBS8 - 5 - 01	7.9
TRLCBS8 - 6 - 01	9.5
TRLCBS8 - 7 - 01	11.1
TRLCBS8 - 8 - 01	12.7
TRLCBS8 - 10 - 01	15.9
TRLCBS8 - 12 - 01	19.1
TRLCBS8 - 14 - 01	22.2
TRLCBS8 - 16 - 01	25.4
TRLCBS8 - 18 - 01	28.6
TRLCBS8 - 20 - 01	31.7
TRLCBS8 - 22 - 01	34.9

Part Number	"A" ± 0.4
TRLCBSM - 2 - 01	3.2
TRLCBSM - 3 - 01	4.8
TRLCBSM - 4 - 01	6.4
TRLCBSM - 5 - 01	7.9
TRLCBSM - 6 - 01	9.5
TRLCBSM - 7 - 01	11.1
TRLCBSM - 8 - 01	12.7
TRLCBSM - 9 - 01	14.3
TRLCBSM - 10 - 01	15.9

Type	4
Top Hole	∅ 4.0 ± 0.08 mm
Top Panel Thickness	1.6 mm
Bottom Hole	∅ 4.75 ± 0.08 mm
Bottom Panel Thickness	0.79 ~ 1.98 mm

Type	5
Top Hole	∅ 4.75 ± 0.08 mm
Top Panel Thickness	0.2 ~ 1.4 mm
Bottom Hole	∅ 4.0 ± 0.08 mm
Bottom Panel Thickness	1.57 mm

Type	6
Top Hole	∅ 3.18 ± 0.05 mm
Top Panel Thickness	1.57 mm
Bottom Hole	∅ 3.18 ± 0.05 mm
Bottom Panel Thickness	0.79 - 1.98 mm



# Support Post Series

TRDSLP1/TRDSLP2/TRDSLP3



## Dual Locking Support Post (Cross)



Support Post Series

Type

Material

Colour

Unit

Standard Pack

Dual Locking Support Post

Nylon 6/6 V2 / TMS 001

Nylon 6/6 V0 / TMS 019

Natural

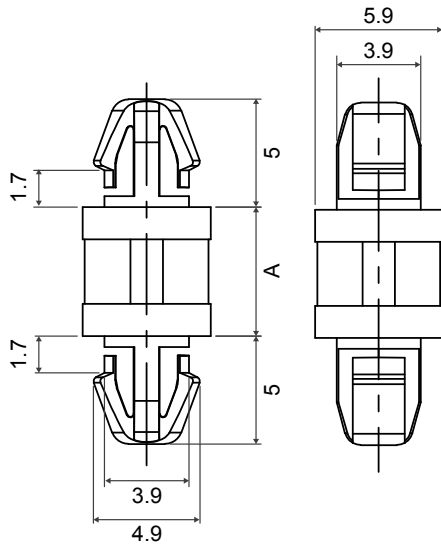
mm

1,000 per bag

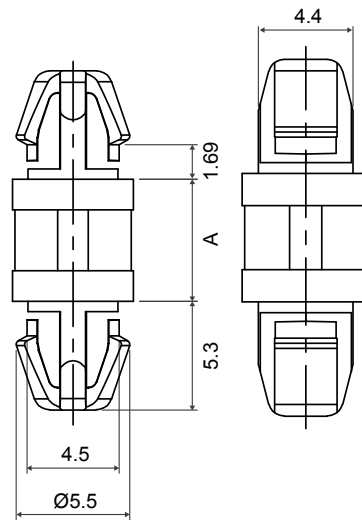
Part number example -

Nylon 6/6 V2 = TRDLSP1-18M-01

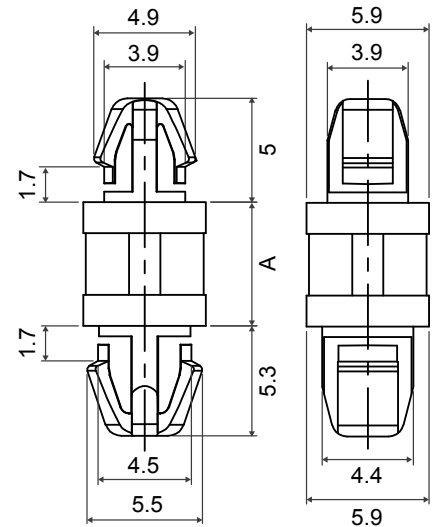
Nylon 6/6 V0 = TRDLSP1-18M-19



**Type: 1**



**Type: 2**



**Type: 3**

Part Number	"A" ± 0.4
TRDLSP1 - 3M - 01	3.0
TRDLSP1 - 4M - 01	4.0
TRDLSP1 - 6M - 01	6.0
TRDLSP1 - 8M - 01	8.0
TRDLSP1 - 10M - 01	10.0
TRDLSP1 - 12M - 01	12.0
TRDLSP1 - 14M - 01	14.0
TRDLSP1 - 16M - 01	16.0
TRDLSP1 - 18M - 01	18.0

Part Number	"A" ± 0.4
TRDLSP2 - 3M - 01	3.0
TRDLSP2 - 4M - 01	4.0
TRDLSP2 - 6M - 01	6.0
TRDLSP2 - 8M - 01	8.0
TRDLSP2 - 10M - 01	10.0
TRDLSP2 - 12M - 01	12.0
TRDLSP2 - 14M - 01	14.0
TRDLSP2 - 16M - 01	16.0
TRDLSP2 - 18M - 01	18.0

Part Number	"A" ± 0.4
TRDLSP3 - 3M - 01	3.0
TRDLSP3 - 4M - 01	4.0
TRDLSP3 - 6M - 01	6.0
TRDLSP3 - 8M - 01	8.0
TRDLSP3 - 10M - 01	10.0
TRDLSP3 - 12M - 01	12.0
TRDLSP3 - 14M - 01	14.0
TRDLSP3 - 16M - 01	16.0
TRDLSP3 - 18M - 01	18.0

Type	1
Top Hole	∅ 4.0 ± 0.08 mm
Top Panel Thickness	1.6 mm
Bottom Hole	4.0 mm

Type	2
Top Hole	∅ 4.8 ± 0.08 mm
Top Panel Thickness	1.6 mm
Bottom Hole	4.8 mm

Type	3
Top Hole	∅ 4.0 ± 0.08 mm
Top Panel Thickness	1.6 mm
Bottom Hole	4.8 mm

# Support Post Series

TRDLCBS/TRDLCBS2/TRDLCBS3

## Dual Locking Support Post (Cross)



Support Post Series

Type

Material

Colour

Unit

Standard Pack

Dual Locking Support Post

Nylon 6/6 V2 / TMS 001

Nylon 6/6 V0 / TMS 019

Natural

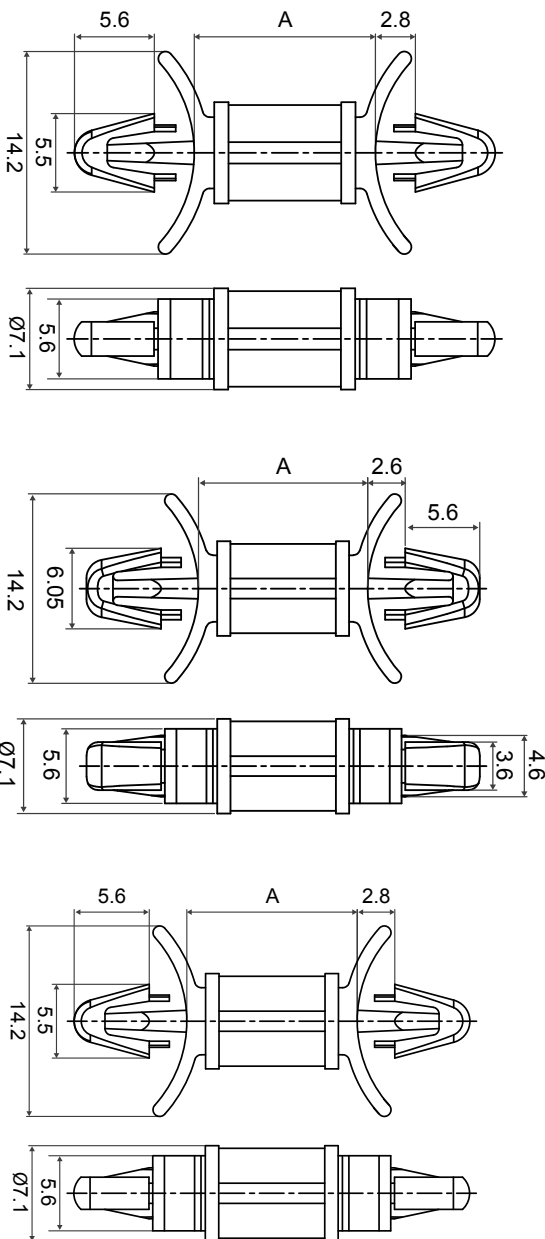
mm

1,000 per bag

Part number example -

Nylon 6/6 V2 = TRDLCBS-14-01

Nylon 6/6 V0 = TRDLCBS-14-19



Part Number	"A" $\pm 0.4$
TRDLCBS - 3 - 01	4.8
TRDLCBS - 4 - 01	6.4
TRDLCBS - 6 - 01	9.5
TRDLCBS - 8 - 01	12.7
TRDLCBS - 10 - 01	15.9
TRDLCBS - 12 - 01	19.1
TRDLCBS - 14 - 01	22.2

Type	1
Top Hole	$\varnothing 4.0 \pm 0.08$ mm
Bottom Hole	4.0 mm

Part Number	"A" $\pm 0.4$
TRDLCBS2 - 3 - 01	4.8
TRDLCBS2 - 4 - 01	6.4
TRDLCBS2 - 6 - 01	9.5
TRDLCBS2 - 8 - 01	12.7
TRDLCBS2 - 10 - 01	15.9
TRDLCBS2 - 12 - 01	19.1
TRDLCBS2 - 14 - 01	22.2

Type	2
Top Hole	$\varnothing 4.8 \pm 0.08$ mm
Bottom Hole	4.8 mm

Part Number	"A" $\pm 0.4$
TRDLCBS3 - 3 - 01	4.8
TRDLCBS3 - 4 - 01	6.4
TRDLCBS3 - 6 - 01	9.5
TRDLCBS3 - 8 - 01	12.7
TRDLCBS3 - 10 - 01	15.9
TRDLCBS3 - 12 - 01	19.1
TRDLCBS3 - 14 - 01	22.2

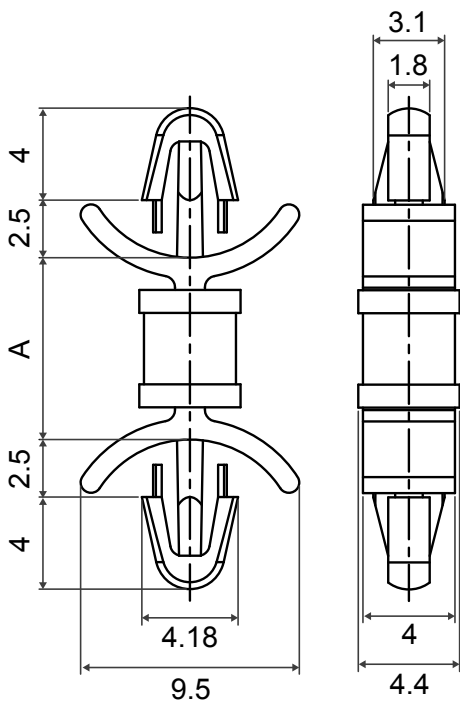
Type	3
Top Hole	$\varnothing 4.8 \pm 0.08$ mm
Bottom Hole	4.0 mm

# Support Post Series

TRDLCBSM/TRRLCBSK/TRRLCBSK2



## Dual Locking Support Post (Cross)



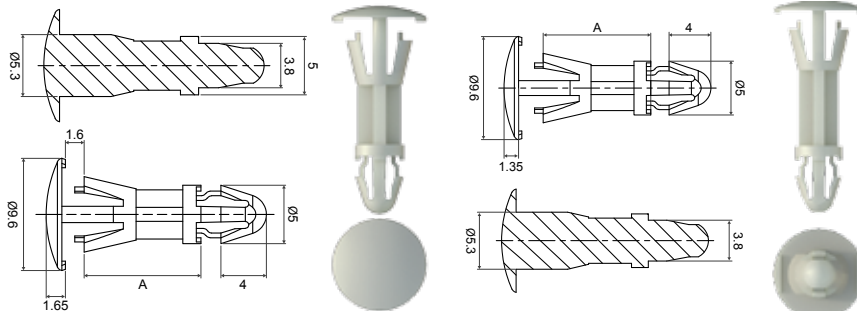
Support Post Series  
 Type Dual Locking Support Post  
 Material Nylon 6/6 V2 / TMS 001  
 Nylon 6/6 V0 / TMS 019  
 Colour Natural  
 Unit mm  
 Standard Pack 1,000 per bag

Top & Bottom Hole  $3.2 \pm 0.08$  mm  
 Panel Thickness 0.8 ~ 2.0 mm

Part number example -  
 Nylon 6/6 V2 = TRDLCBSM-10-01  
 Nylon 6/6 V0 = TRDLCBSM-10-19

Part Number	"A" $\pm 0.4$
TRDLCBSM - 3 - 01	4.8
TRDLCBSM - 4 - 01	6.4
TRDLCBSM - 5 - 01	7.9
TRDLCBSM - 6 - 01	9.5
TRDLCBSM - 7 - 01	11.1
TRDLCBSM - 8 - 01	12.7
TRDLCBSM - 9 - 01	14.3
TRDLCBSM - 10 - 01	15.9
TRDLCBSM - 14 - 01	22.2

## Reverse Locking Circuit Board Support



Type: 1

Type: 2

Support Post Series  
 Type Reverse Locking Circuit Board Support Post  
 Material Nylon 6/6 V2 / TMS 001  
 Nylon 6/6 V0 / TMS 019  
 Colour Natural  
 Unit mm  
 Standard Pack 1,000 per bag

Part number example -  
 Nylon 6/6 V2 = TRRLCBSK-14-01  
 Nylon 6/6 V0 = TRRLCBSK-14-19

Type 1	
Part Number	"A" $\pm 0.4$
TRRLCBSK - 6 - 01	6.0
TRRLCBSK - 8 - 01	8.0
TRRLCBSK - 10 - 01	10.0
TRRLCBSK - 12 - 01	12.0
TRRLCBSK - 14 - 01	14.0
Type	1
Top Hole	$4.0 \pm 0.05$ mm
Bottom Hole	$5.4 \pm 0.05$ mm
Panel Thickness	1.6 mm

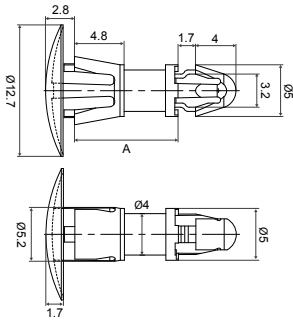
Type 2	
Part Number	"A" $\pm 0.4$
TRRLCBSK2 - 6 - 01	6.0
TRRLCBSK2 - 8 - 01	8.0
TRRLCBSK2 - 10 - 01	10.0
TRRLCBSK2 - 12 - 01	12.0
TRRLCBSK2 - 14 - 01	14.0
Type	2
Top Hole	$4.0 \pm 0.08$ mm
Top Panel Thickness	1.6 mm
Bottom Hole	$5.4 \pm 0.08$ mm
Bottom Panel Thickness	2.0 mm

# Support Post Series

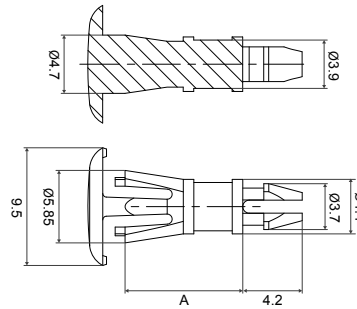
TRCRLCBSK2/TRRLCBSR/TRRLCBSRS/TRRLCBSR



## Reverse Locking Circuit Board Support



Type: 3



Type: 4



Type 3	
Part Number	"A" ± 0.4
TRCRLCBSK2 - 8 - 01	8.0
TRCRLCBSK2 - 10 - 01	10.0
TRCRLCBSK2 - 12 - 01	12.0
TRCRLCBSK2 - 14 - 01	14.0

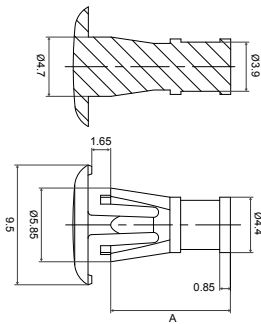
  

Type	3
Top Hole	4.0 ± 0.08 mm
Top Panel Thickness	1.6 mm
Bottom Hole	5.4 ± 0.08 mm
Bottom Panel Thickness	1.0 - 1.6 mm

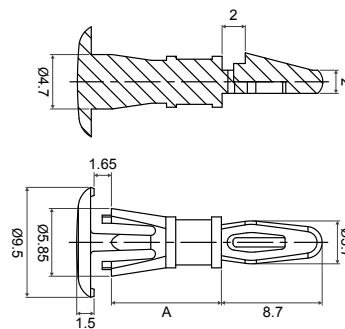
Type 4	
Part Number	"A" ± 0.4
TRRLCBSR - 4 - 01	6.4
TRRLCBSR - 5 - 01	7.9
TRRLCBSR - 6 - 01	9.5
TRRLCBSR - 7 - 01	11.1
TRRLCBSR - 8 - 01	12.7
TRRLCBSR - 9 - 01	14.3
TRRLCBSR - 10 - 01	15.9

Type	4
Top Hole	3.18 ± 0.05 mm
Top Panel Thickness	1.57 mm
Bottom Hole	4.75 ± 0.05 mm
Bottom Panel Thickness	1.5 - 1.6 mm



Type: 5



Type: 6



Type 5	
Part Number	"A" ± 0.4
TRRLCBSRS - 4 - 01	6.4
TRRLCBSRS - 5 - 01	7.9
TRRLCBSRS - 6 - 01	9.5
TRRLCBSRS - 7 - 01	11.1
TRRLCBSRS - 8 - 01	12.7
TRRLCBSRS - 9 - 01	14.3
TRRLCBSRS - 10 - 01	15.9

Type	5
Bottom Hole	4.75 ± 0.05 mm
Panel Thickness	1.5 - 1.6 mm

Type 6	
Part Number	"A" ± 0.4
TRRLCBSR - 4 - 01	6.4
TRRLCBSR - 5 - 01	7.9
TRRLCBSR - 6 - 01	9.5
TRRLCBSR - 7 - 01	11.1
TRRLCBSR - 8 - 01	12.7
TRRLCBSR - 9 - 01	14.3
TRRLCBSR - 10 - 01	15.9

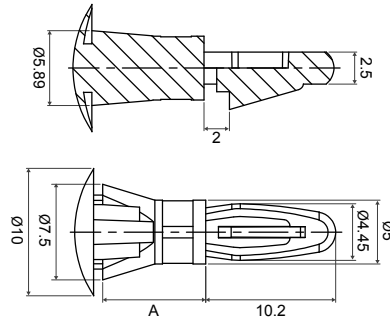
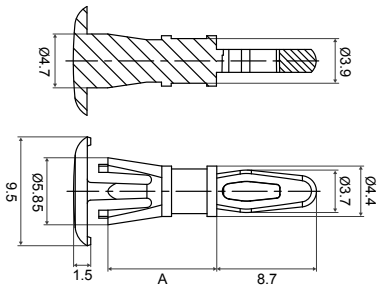
Type	6
Top Hole	3.18 ± 0.05 mm
Top Panel Thickness	1.57 mm
Bottom Hole	4.75 ± 0.05 mm
Bottom Panel Thickness	1.5 - 1.6 mm

# Support Post Series

TRRCBSR/TRCRLCBSR/TRCRLCBSRE/TRRLCBSRE



## Reverse Locking Circuit Board Support

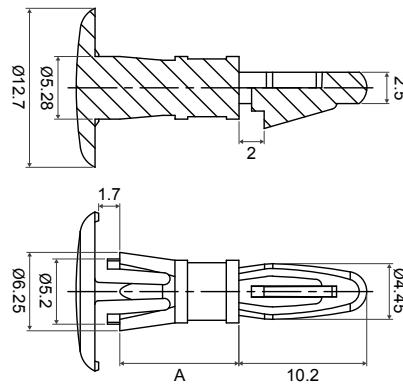
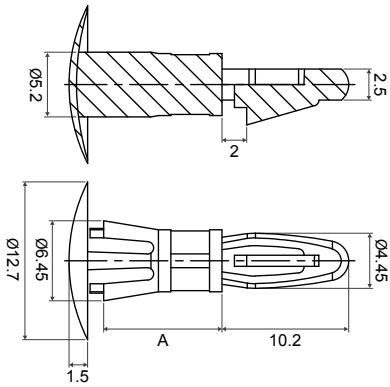


Type: 7

Type: 8

Type 7	
Part Number	"A" ± 0.4
TRRCBSR - 4 - 01	6.4
TRRCBSR - 5 - 01	7.9
TRRCBSR - 6 - 01	9.5
TRRCBSR - 7 - 01	11.1
TRRCBSR - 8 - 01	12.7
TRRCBSR - 9 - 01	14.3
TRRCBSR - 10 - 01	15.9
Type	7
Top Hole	3.18 ± 0.05 mm
Top Panel Thickness	1.57 mm
Bottom Hole	4.75 ± 0.05 mm
Bottom Panel Thickness	1.5 - 1.6 mm

Type 8	
Part Number	"A" ± 0.4
TRCRLCBSR - 3 - 01	4.8
TRCRLCBSR - 4 - 01	6.4
TRCRLCBSR - 5 - 01	7.9
TRCRLCBSR - 6 - 01	9.5
TRCRLCBSR - 8 - 01	12.7
TRCRLCBSR - 12 - 01	19.1
Type	8
Top Hole	4.0 ± 0.08 mm
Top Panel Thickness	1.56 mm
Bottom Hole	6.0 ± 0.08 mm
Bottom Panel Thickness	0.8 - 1.2 mm



Type: 9

Type: 10

Type 9	
Part Number	"A" ± 0.4
TRCRLCBSRE - 4 - 01	6.4
TRCRLCBSRE - 6 - 01	9.5
TRCRLCBSRE - 8 - 01	12.7
TRCRLCBSRE - 10 - 01	15.9
Type	9
Top Hole	4.0 ± 0.08 mm
Top Panel Thickness	1.56 mm
Bottom Hole	5.4 ± 0.08 mm
Bottom Panel Thickness	1.2 - 2.0 mm

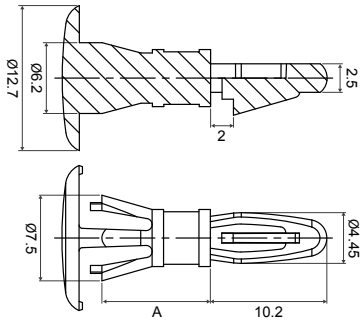
Type 10	
Part Number	"A" ± 0.4
TRRLCBSRE - 4 - 01	6.4
TRRLCBSRE - 6 - 01	9.5
TRRLCBSRE - 8 - 01	12.7
TRRLCBSRE - 10 - 01	15.9
Type	TRRLCBSRE
Top Hole	4.0 ± 0.08 mm
Top Panel Thickness	1.56 mm
Bottom Hole	5.4 ± 0.08 mm
Bottom Panel Thickness	1.5 - 1.65 mm



# Support Post Series

TRRLCBSR1/TRLCBSB

## Reverse Locking Circuit Board Support



Type:11

Type:11	
Part Number	"A" ± 0.4
TRRLCBSR1 - 4 - 01	6.4
TRRLCBSR1 - 6 - 01	9.5
TRRLCBSR1 - 8 - 01	12.7
TRRLCBSR1 - 10 - 01	15.9
Type	TRRLCBSR1
Top Hole	4.0 ± 0.08 mm
Top Panel Thickness	1.57 mm
Bottom Hole	6.35 ± 0.08 mm
Bottom Panel Thickness	1.5 - 1.65 mm

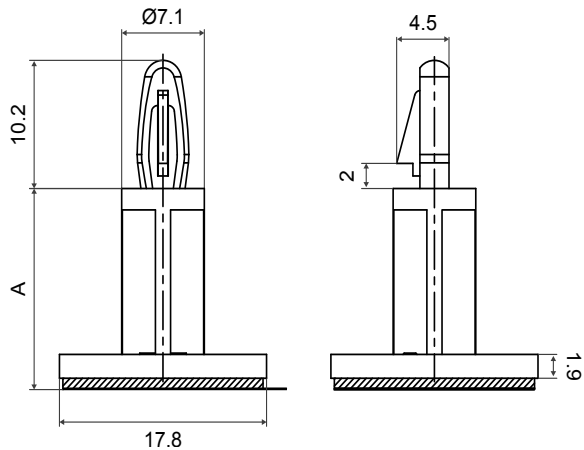
## Circuit Board Support on Base

Adhesive Base Series

Type	Circuit Board Support on Base
Material	Nylon 6/6 V2 / TMS 001
Colour	Natural
Unit	mm
Standard Pack	1,000 per bag

Part number example -

Nylon 6/6 V2 = TRLCBSB-3-01A2-RT



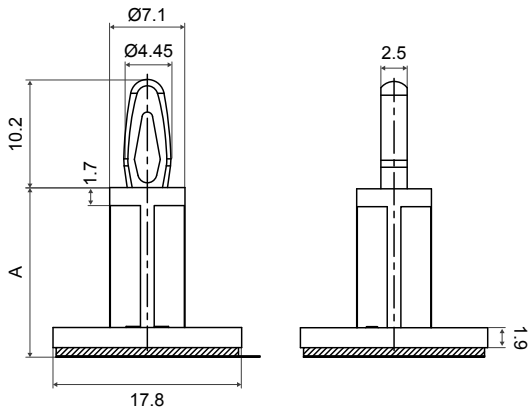
"A" ± 0.4	Adhesive Size	Part Number - Type 1
4.8	17.0x17.0x0.8	TRLCBSB - 3 - 01A2 - RT
6.4		TRLCBSB - 4 - 01A2 - RT
9.5		TRLCBSB - 6 - 01A2 - RT
12.7		TRLCBSB - 8 - 01A2 - RT
15.9		TRLCBSB - 10 - 01A2 - RT
19.1		TRLCBSB - 12 - 01A2 - RT
22.2		TRLCBSB - 14 - 01A2 - RT
25.4		TRLCBSB - 16 - 01A2 - RT
28.6		TRLCBSB - 18 - 01A2 - RT
Type		1
Hole Dia.	4.0 ± 0.05 mm	
Panel Thickness	1.6 mm	

# Support Post Series

TRCBSB/TRLCSB/TRCBSBT



## Circuit Board Support on Base



"A" ± 0.4	Adhesive Size	Part Number - Type 2
4.8	17.0x17.0x0.8	TRCBSB - 3 - 01A2 - RT
6.4		TRCBSB - 4 - 01A2 - RT
9.5		TRCBSB - 6 - 01A2 - RT
12.7		TRCBSB - 8 - 01A2 - RT
15.9		TRCBSB - 10 - 01A2 - RT
19.1		TRCBSB - 12 - 01A2 - RT
22.2		TRCBSB - 14 - 01A2 - RT
25.4		TRCBSB - 16 - 01A2 - RT
28.6		TRCBSB - 18 - 01A2 - RT
<b>Type</b>		<b>2</b>
<b>Hole Dia.</b>		4.0 ± 0.05 mm
<b>Panel Thickness</b>		1.6 mm

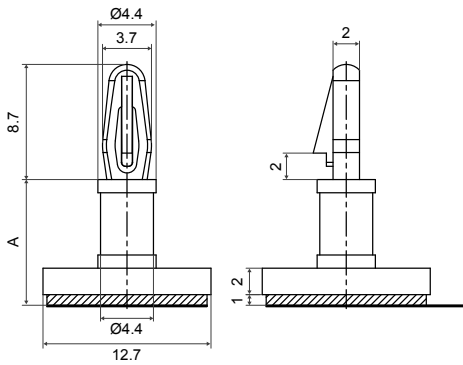
## Mini Circuit Board Support on Base

### Adhesive Base Series

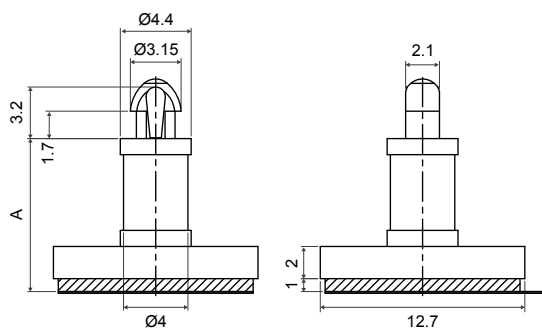
Type	Mini Circuit Board Support on Base
Material	Nylon 6/6 V2 / TMS 001
Colour	Natural
Unit	mm
Standard Pack	1,000 per bag

Part number example -

Nylon 6/6 V2 = TRLCBSB-3-01A2-RT



"A" ± 0.4	Adhesive Size	Part Number - Type 3	
4.8	12.7x12.7x0.8	TRLCBSBM - 3 - 01A2 - RT	
6.4		TRLCBSBM - 4 - 01A2 - RT	
7.9		TRLCBSBM - 5 - 01A2 - RT	
9.5		TRLCBSBM - 6 - 01A2 - RT	
11.1		TRLCBSBM - 7 - 01A2 - RT	
12.7		TRLCBSBM - 8 - 01A2 - RT	
14.3		TRLCBSBM - 9 - 01A2 - RT	
15.9		TRLCBSBM - 10 - 01A2 - RT	
<b>Type</b>		<b>3</b>	
<b>Hole Dia.</b>		4.0 ± 0.05 mm	
<b>Panel Thickness</b>		1.6 mm	



"A" ± 0.4	Adhesive Size	Part Number - Type	
4.8	12.7x12.7x0.8	TRCBSBT - 3 - 01A2 - RT	
6.4		TRCBSBT - 4 - 01A2 - RT	
7.9		TRCBSBT - 5 - 01A2 - RT	
9.5		TRCBSBT - 6 - 01A2 - RT	
11.1		TRCBSBT - 7 - 01A2 - RT	
12.7		TRCBSBT - 8 - 01A2 - RT	
14.3		TRCBSBT - 9 - 01A2 - RT	
15.9		TRCBSBT - 10 - 01A2 - RT	
<b>Type</b>		<b>4</b>	
<b>Hole Dia.</b>		4.0 ± 0.05 mm	
<b>Panel Thickness</b>		1.6 mm	

The following material specification is used for identification of manufacturers materials and their properties. All data is obtained from the suppliers of raw materials. It does not represent a binding guarantee. TR Fastenings reserve the right to change manufacturer without notice.

The test material according to UL (Underwriter's Laboratories Inc.) allow classification of polymers according to their flame retardance.

With a horizontal and vertical test of fire behaviour under the influence of an open flame. Detailed information on UL, can be downloaded at, [www.ul.com](http://www.ul.com). The ratings are: UL94 -HB/V2/V1/V0

The temperature ranges of the various materials are guidelines received from the respective raw material manufacturers. It does not represent a binding guarantee. TR Fastenings reserve the right to change manufacturer without notice.

TMS Nr.	Material	UL-File Nr.	UL Classification	RoHS Compliant	Material Temperature Range					
					°C			°F		
001	Nylon 6/6	E70062	V2	Yes	-20	-	85	-4	-	185
003	PC	E45587	HB	Yes	-40	-	115	-40	-	239
008	PP	E63499	HB	Yes	0	-	65	32	-	149
014	POM Acetal	E38860	HB	Yes	-50	-	90	-58	-	194
019	Nylon 6/6	E70062	V0	Yes	-40	-	105	-40	-	221
026	PVC	E54709	V0	Yes	0	-	105	32	-	221
039	POM Acetal	E66288	HB	Yes	-40	-	100	-40	-	212
042	TPR	E80017	HB	Yes	-60	-	135	-76	-	275
052	Nylon 6	E41871	V2	Yes	-40	-	65	-40	-	149
072	PC Polycarbonate	E123529	V2	Yes	-40	-	80	-40	-	176
103	Nylon 66/6	E41871	V0	Yes	-40	-	65	-40	-	149
120	Nylon 6	E119177	V2	Yes	-40	-	152	-40	-	306
158	TPV	E80017	HB	Yes	-50	-	90	-58	-	194
173	Nylon 6 Glass Filled	E76261	HB	Yes	-20	-	140	-4	-	284

## RoHS Directives

RoHS (Restriction on Hazardous Substances) refers to the Directive 2002/95/EC of the European Parliament of 27 January 2003 - This directive bans from 1 July 2006, the subsequent use of hazardous substances in electrical and electronic equipment. Lead, mercury, cadmium, hexavalent chromium, polybrominated Biphenyls (PBB), polybrominated biphenyl ethers (PBDEs).

The WEEE (Waste Electronic Equipment) refers to Directive 2002/95/EC of the European Parliament of 27 January 2003. This policy is primarily to avoid the waste of electrical and electronic equipment, as well as their recycling. Please contact us if you need information regarding the RoHS or WEEE.

*All data has been provided by the manufacturers of the raw materials available. It does not represent a binding guarantee TR Fastenings reserve right to change manufacturer without notice. TR Fastenings assumes no responsibility. All information (images, drawings, specifications) in this catalogue are not binding commitments and must be checked independently by the user to ensure product is fit for purpose. Technical changes are always reserved.*



# CONTACT US

[www.trfastenings.com](http://www.trfastenings.com)  
[sales@trfastenings.com](mailto:sales@trfastenings.com)  
[info@trfastenings.com](mailto:info@trfastenings.com)



Master Distributor Details

**UK**  
t: +44 (0)8454 811 800 f: +44 (0)870 458 7851  
e-mail: [uk@trfastenings.com](mailto:uk@trfastenings.com)

**Ireland**  
t: +353 (0)22 22301 f: +353 (0)22 22056  
e-mail: [ireland@trfastenings.com](mailto:ireland@trfastenings.com)

**Netherlands**  
t: +31 (0)541 511515 f: +31 (0)541 517134  
e-mail: [netherlands@trfastenings.com](mailto:netherlands@trfastenings.com)

**Norway**  
t: +47 67 06 70 00 f: +47 67 06 70 10  
e-mail: [norway@trfastenings.com](mailto:norway@trfastenings.com)

**Sweden**  
t: +46 (0)8 578 44 900 f: +46 (0)8 578 44 950  
e-mail: [sweden@trfastenings.com](mailto:sweden@trfastenings.com)

**Spain**  
t: 34 93 647 22 45  
e-mail: [spain@trfastenings.com](mailto:spain@trfastenings.com)

**Hungary**  
t: +36 (06)24 516 972 f: +36 (06)24 516 961  
e-mail: [hungary@trfastenings.com](mailto:hungary@trfastenings.com)

**Poland**  
t: +48 (22)402 36 14 f: +48 (22)402 36 24  
e-mail: [poland@trfastenings.com](mailto:poland@trfastenings.com)

**VIC Italy**  
t: +39 (0)75 914 9015 f: +39 (0)75 9190165  
e-mail: [info@vic.it](mailto:info@vic.it)

**TR Kuhlmann Germany**  
t: +49 (0)5246 / 50320-0 f: +49 (0)5246 / 50320-70  
e-mail: [info@trkuhlmann.com](mailto:info@trkuhlmann.com)

**Singapore**  
t: +65 6759 6033 f: +65 6759 6022  
e-mail: [singapore@trfastenings.com](mailto:singapore@trfastenings.com)

**China**  
t: +86 21 5032 5696 f: +86 21 5032 5775  
e-mail: [china@trfastenings.com](mailto:china@trfastenings.com)

**Taiwan**  
t: +866 7 552 5577 f: +886 7 552 7033  
e-mail: [taiwan@trfastenings.com](mailto:taiwan@trfastenings.com)

**Malaysia**  
t: +604 508 3931/2 f: +604 508 3942  
e-mail: [malaysia@trfastenings.com](mailto:malaysia@trfastenings.com)

**India**  
t: +91 967707 1807 m: +65 9684 1763  
e-mail: [india@trfastenings.com](mailto:india@trfastenings.com)

**Thailand**  
t: +66(0)20413 340 f: +66(0) 20413 340  
e-mail: [thailand@trfastenings.com](mailto:thailand@trfastenings.com)

**USA**  
t: +1 800 280 2181 f: +1 281 807 0620  
e-mail: [usa@trfastenings.com](mailto:usa@trfastenings.com)