



Alcoswitch

TE Internal #: 1571102-2

Rocker Switches, High Power, Panel Rocker Switch Mounting Type,

○ - Indicator/Imprint Legend

[View on TE.com >](#)

Relays, Contactors & Switches > Switches > Rocker Switches



Rocker Switch Type: **High Power**

Rocker Switch Mounting Type: **Panel**

Indicator/Imprint Legend: **○ -**

Panel Cutout Size: **21 x 36.5 mm [.835 x 1.441 in, .835 x 1.448 in, .835 x 1.456 in]**

Switch Contact Plating Material: **Silver Tin Oxide**

Features

Product Type Features

Product Type	Switch
Rocker Switch Type	High Power
Lamp	Without
Rocker Switch LED	Without
Actuator Type	Top
Actuator Style	Rocker

Configuration Features

Indicator/Imprint Color	White
Indicator/Imprint Legend	○ -
Panel Cutout Size	21 x 36.5 mm [.835 x 1.441 in][.835 x 1.448 in] [.835 x 1.456 in]
Configuration (Pole-Throw)	Double Pole - Single Throw
Operating Function	On Off

Electrical Characteristics

Rocker Switch Voltage Rating	125 – 250 VAC
------------------------------	---------------



Body Features

Beveled Frame Color	Black
Actuator Color	Black

Contact Features

Terminal Tab Width	6.35 mm[.25 in]
Switch Contact Plating Material	Silver Tin Oxide
Rocker Switch Contact Current Rating	20 A

Termination Features

Termination Type	Quick Connect
------------------	---------------

Mechanical Attachment

Mounting Angle	Vertical
Rocker Switch Mounting Type	Panel

Housing Features

Process Sealed	Yes
----------------	-----

Industry Standards

UL Listed	File No. E46765
VDE Tested	No

Other

Comment	IP66, Non-Illuminated
---------	-----------------------

Product Compliance

[For compliance documentation, visit the product page on TE.com>](#)

EU RoHS Directive 2011/65/EU	Compliant with Exemptions
EU ELV Directive 2000/53/EC	Compliant
China RoHS 2 Directive MIIT Order No 32, 2016	Restricted Materials Above Threshold
EU REACH Regulation (EC) No. 1907/2006	Current ECHA Candidate List: JAN 2021 (211) Candidate List Declared Against: JUN 2018 (191) SVHC > Threshold: Not Yet Reviewed
Halogen Content	Low Halogen - Br, Cl, F, I < 900 ppm per homogenous material. Also BFR/CFR/PVC Free

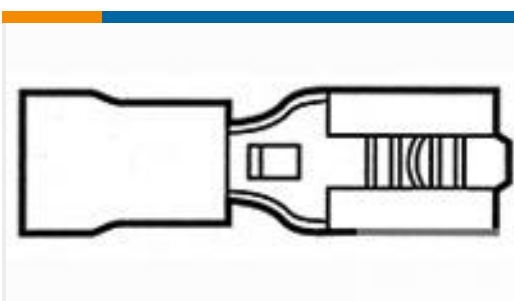
Solder Process Capability

Not applicable for solder process capability

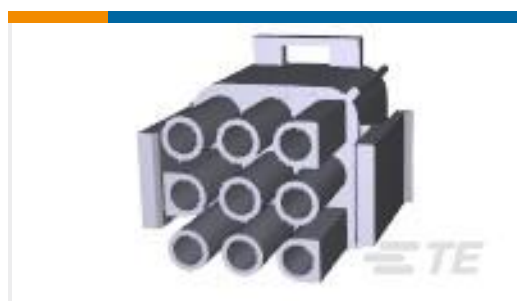
Product Compliance Disclaimer

This information is provided based on reasonable inquiry of our suppliers and represents our current actual knowledge based on the information they provided. This information is subject to change. The part numbers that TE has identified as EU RoHS compliant have a maximum concentration of 0.1% by weight in homogenous materials for lead, hexavalent chromium, mercury, PBB, PBDE, DBP, BBP, DEHP, DIBP, and 0.01% for cadmium, or qualify for an exemption to these limits as defined in the Annexes of Directive 2011/65/EU (RoHS2). Finished electrical and electronic equipment products will be CE marked as required by Directive 2011/65/EU. Components may not be CE marked. Additionally, the part numbers that TE has identified as EU ELV compliant have a maximum concentration of 0.1% by weight in homogenous materials for lead, hexavalent chromium, and mercury, and 0.01% for cadmium, or qualify for an exemption to these limits as defined in the Annexes of Directive 2000/53/EC (ELV). Regarding the REACH Regulation, the information TE provides on SVHC in articles for this part number is based on the latest European Chemicals Agency (ECHA) 'Guidance on requirements for substances in articles' posted at this URL: <https://echa.europa.eu/guidance-documents/guidance-on-reach>

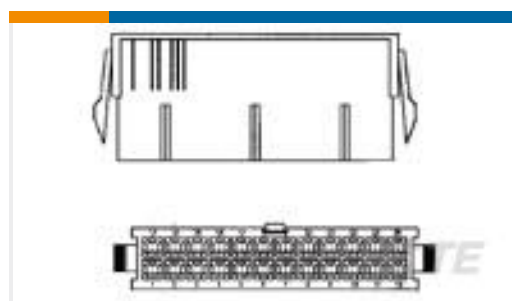
Customers Also Bought



TE Part #9-160479-5
187 PIDG FASTON REC



TE Part #1-480706-0
09P UMNL PLUG HSG NATL



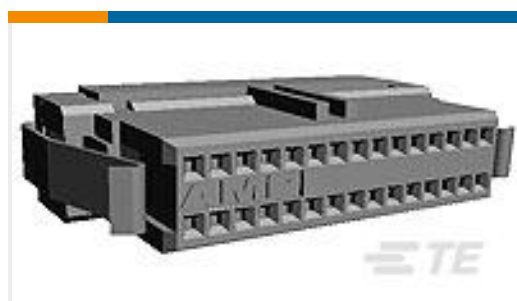
TE Part #1586018-6
6P PM PLUG VAL-U-LOK V0



TE Part #1546414-4
ETHRNT RJ-45 BLKHD PASSTHRU12"



TE Part #1-440146-5
1.25mm WTB Socket, Housing, 15p



TE Part #111196-9
040 RCPT SYSTEM 50 30 DPLX



TE Part #1571095-2
PRCDA1-20F-BB0BW, POWER ROCKER



TE Part #1571113-4
PRDDD3-16F-BB000=POWER ROCKER

Documents

Product Drawings

[PRCDA1-20F-BB0BW, POWER ROCKER](#)

English

CAD Files

[3D PDF](#)

3D

Customer View Model

[ENG_CVM_CVM_1571102-2_D.2d_dxf.zip](#)

English

Customer View Model

[ENG_CVM_CVM_1571102-2_D.3d_igs.zip](#)



English

Customer View Model

[ENG_CVM_CVM_1571102-2_D.3d_stp.zip](#)

English

By downloading the CAD file I accept and agree to the [Terms and Conditions](#) of use.

Datasheets & Catalog Pages

[SWITCHES_CORE_PROGRAM_CATALOG](#)

English

Product Environmental Compliance

[TE Material Declaration](#)

English