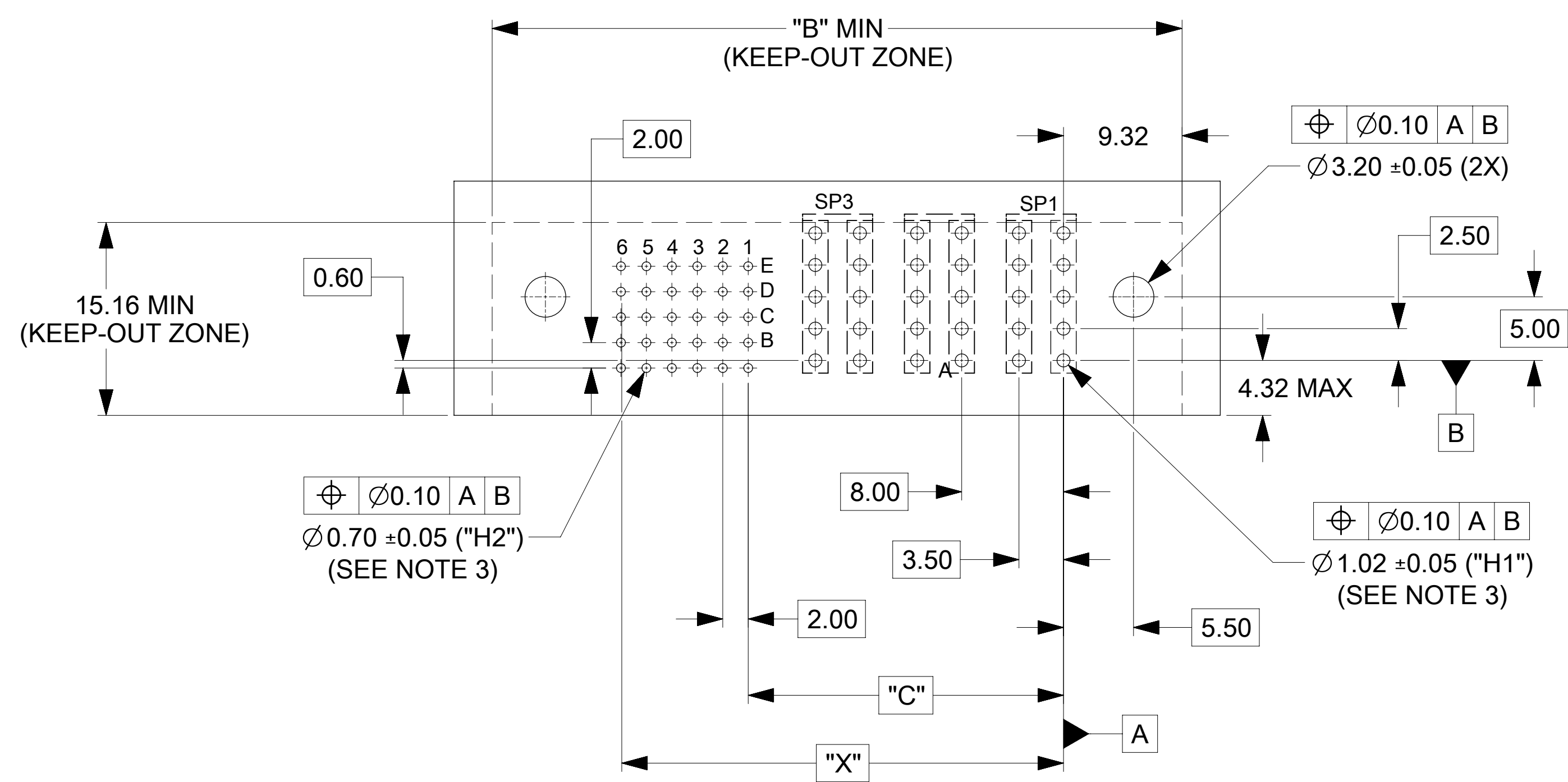
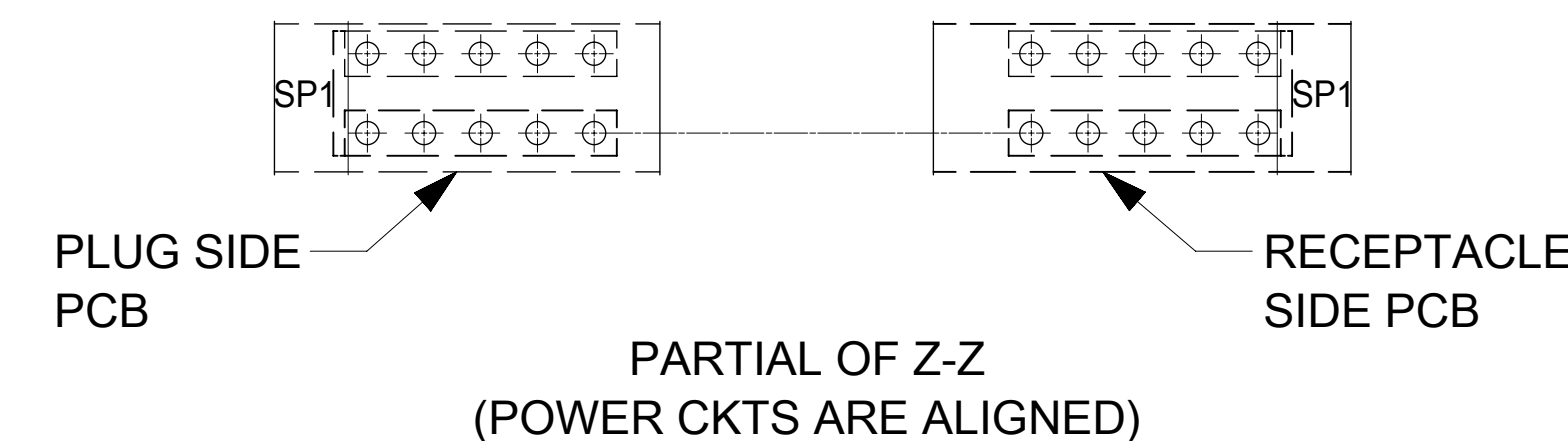
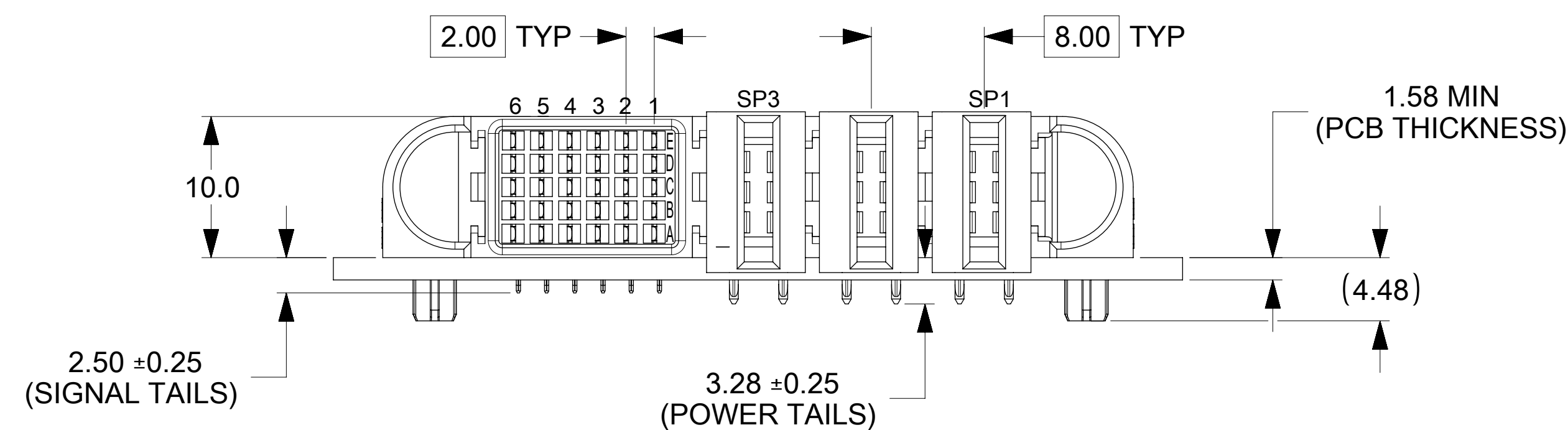


P/N: 171090-8418 (G-3SP-30S-G)

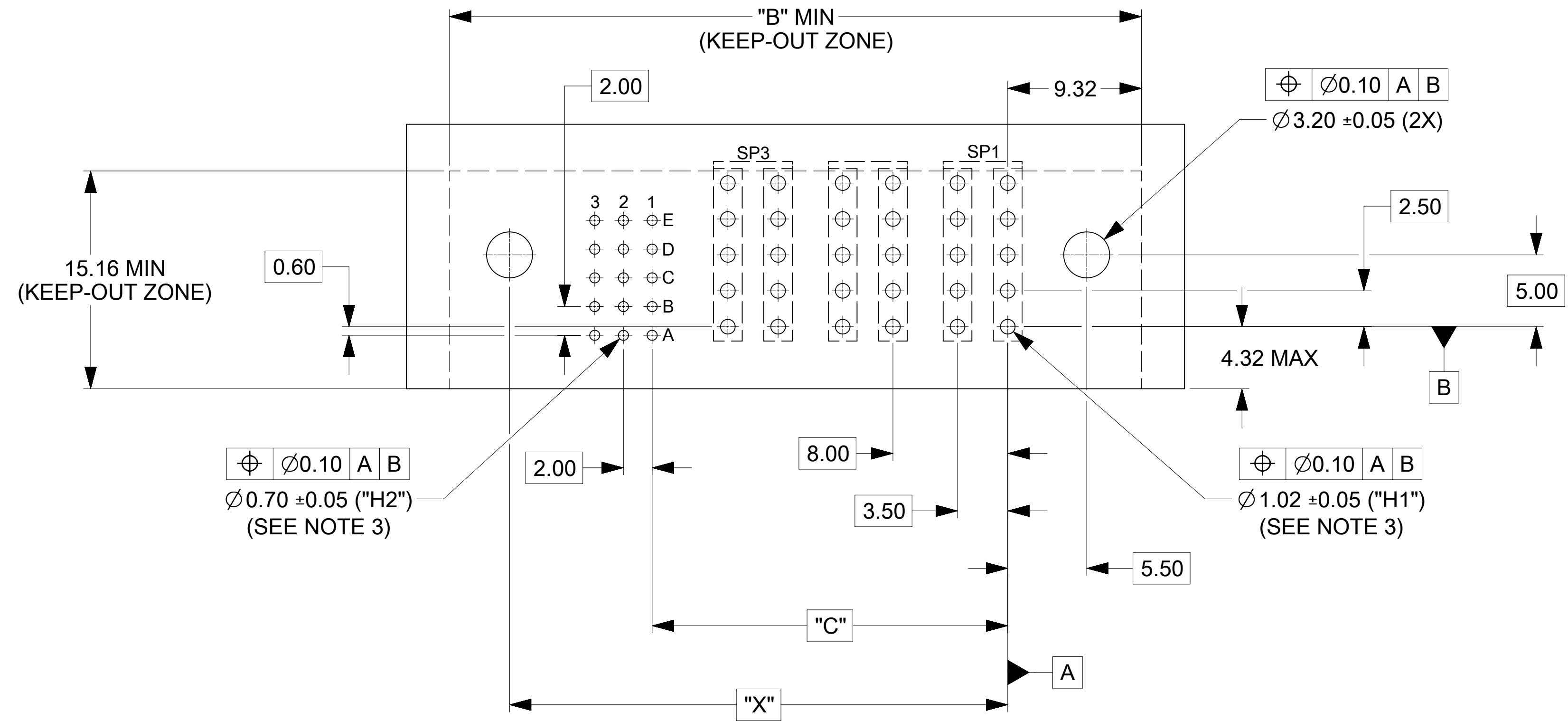


RECOMMENDED PCB LAYOUT AND KEEP-OUT ZONE FOR G-(1SP TO 3SP)-30S-G

NOTES:

- MATERIAL:
  - HOUSINGS: LCP UL94, V-0, COLOR: BLACK
  - TERMINALS: HIGH CONDUCTIVITY COPPER ALLOY
  - PLATING: 1.27 MICROMETER (50 MICROINCH) NICKEL OVERALL WITH 2.54 MICROMETER (100 MICROINCH) SELECTIVE TIN ON TAILS AND 0.762 MICROMETER (30 MICROINCH) SELECTIVE GOLD ON CONTACT AREA
- PACKAGING: ASSEMBLIES TO BE TRAY PACKED PER PACKAGING SPEC: 1710901001-PK
- PLATED THRU HOLE SIZE, REFER TO PS-171088-0000 FOR DETAILS
- PRODUCT SPEC: PS-171088-0000
- PRODUCT TO MEET RoHS REQUIREMENTS
- ASSEMBLY MATES TO MOLEX PLUG ASSEMBLY P/N 171088-\*\*\*\* (SEE TABLE IN SHEET 2).
- TAIL DESIGN: COMPLIANT TAILS
- POWER AND SIGNAL CONTACTS ARE LUBRICATED.
- APPLICATION SPEC: AS-46436-100
- MOLEX LOGO TO BE LOCATED APPROXIMATELY AS SHOWN.

THIS DRAWING CONTAINS INFORMATION THAT IS PROPRIETARY TO MOLEX ELECTRONIC TECHNOLOGIES, LLC AND SHOULD NOT BE USED WITHOUT WRITTEN PERMISSION											
DIMENSION UNITS	SCALE	CURRENT REV DESC: REMOVED P/N 8414, 8415, 8419 & 8420									
mm	3:1	<p style="text-align: center;">G-*SP-*S-G R/A RECEP ASSY - TEN60 SPLIT POWER</p>									
GENERAL TOLERANCES (UNLESS SPECIFIED)											
ANGULAR TOL	± 0.5°	EC NO: 707711		2022/05/20		PRODUCT CUSTOMER DRAWING		DOCUMENT NUMBER	DOC TYPE	DOC PART	REVISION
4 PLACES	±	DRWN: KSUTAR		2022/05/23		1710908420		PSD	000	A2	
3 PLACES	±	CHK'D: GJEEVANSURES		2022/06/08		INITIAL REVISION:					
2 PLACES	± 0.13	APPR: HTHYAGARAJ		2021/09/27		DRWN: KSUTAR					
1 PLACE	± 0.25	INITIAL REVISION:		2021/11/08		APPR: HTHYAGARAJ					
0 PLACES	±	DRAFT WHERE APPLICABLE MUST REMAIN WITHIN DIMENSIONS		THIRD ANGLE PROJECTION		DRAWING		SERIES	MATERIAL NUMBER	CUSTOMER	SHEET NUMBER
				D-SIZE		171090		SEE TABLE	GENERAL MARKET		1 OF 3



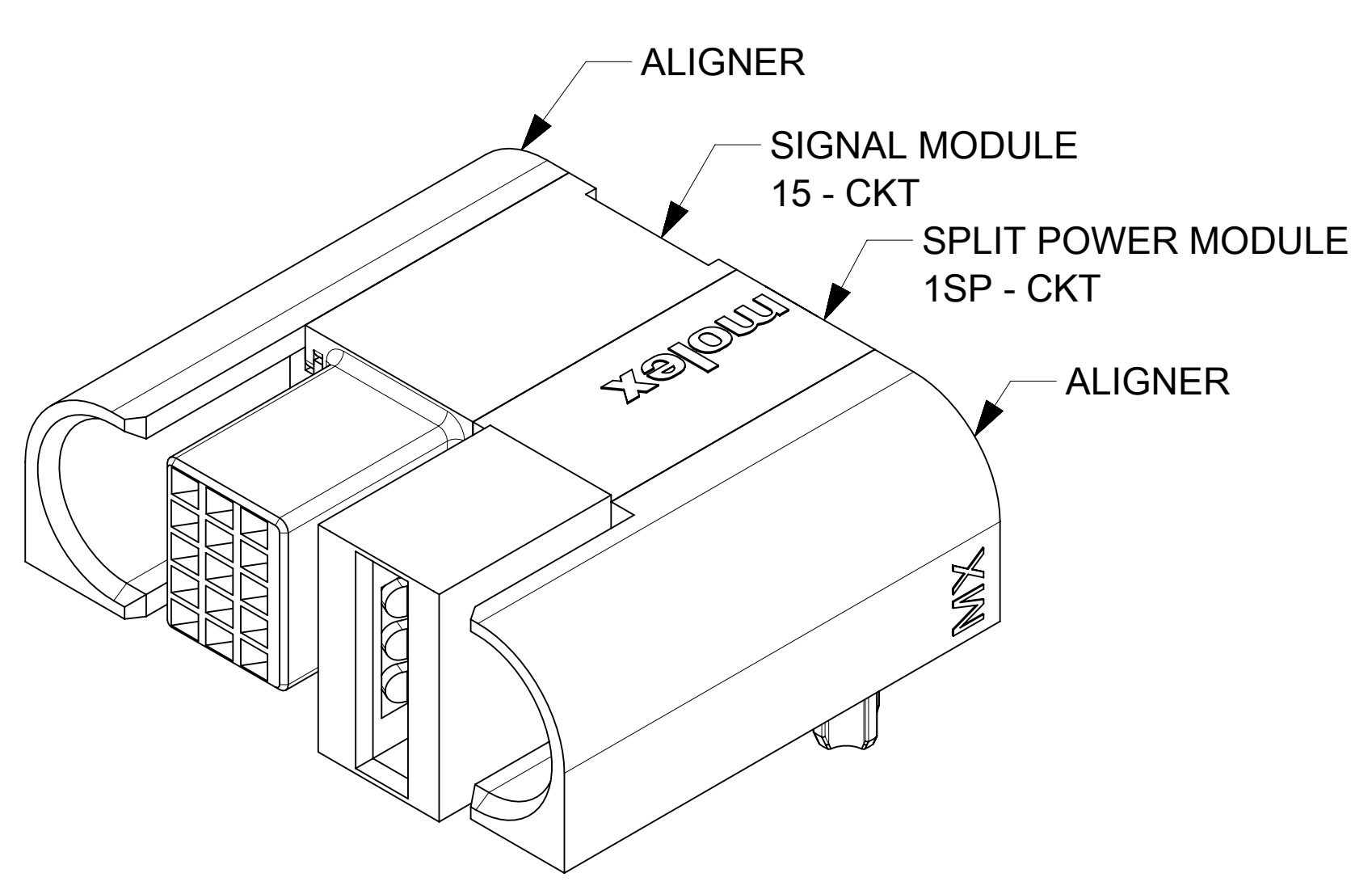
RECOMMENDED PCB LAYOUT AND KEEP-OUT ZONE FOR G-(1SP TO 3SP)-15S-G

REFER TO BELOW TABLE FOR DIMENSIONS.

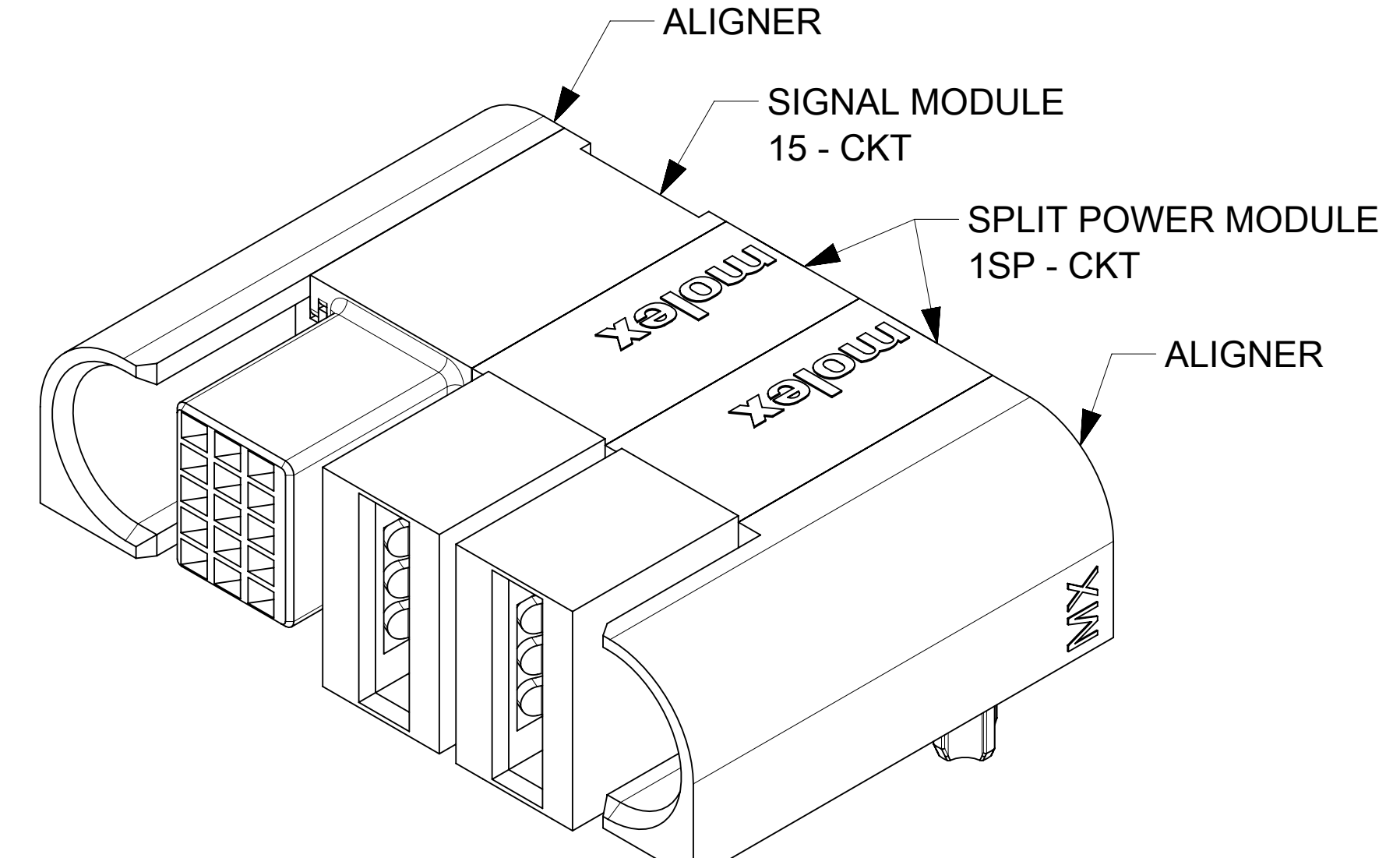
FG P/N	CONFIGURATION	POWER CKT SIZE	SIGNAL CKT SIZE	DIM "A" (IN MM)	DIM "B" (IN MM)	DIM "C" (IN MM)	DIM "X" (IN MM)	HOLES COUNT "H1"	HOLES COUNT "H2"	MATES WITH R/A PLUG ASSY P/N
1710908411	G-1SP-15S-G	1	15	31.21	32.21	8.78	18.71	10	15	1710888411
1710908412	G-2SP-15S-G	2	15	39.21	40.21	16.78	26.71	20	15	1710888412
1710908413	G-3SP-15S-G	3	15	47.21	48.21	24.78	34.71	30	15	1710888413
1710908416	G-1SP-30S-G	1	30	37.21	38.21	8.78	24.71	10	30	1710888416
1710908417	G-2SP-30S-G	2	30	45.21	46.21	16.78	32.71	20	30	1710888417
1710908418	G-3SP-30S-G	3	30	53.21	54.21	24.78	40.71	30	30	1710888418

THIS DRAWING CONTAINS INFORMATION THAT IS PROPRIETARY TO MOLEX ELECTRONIC TECHNOLOGIES, LLC AND SHOULD NOT BE USED WITHOUT WRITTEN PERMISSION

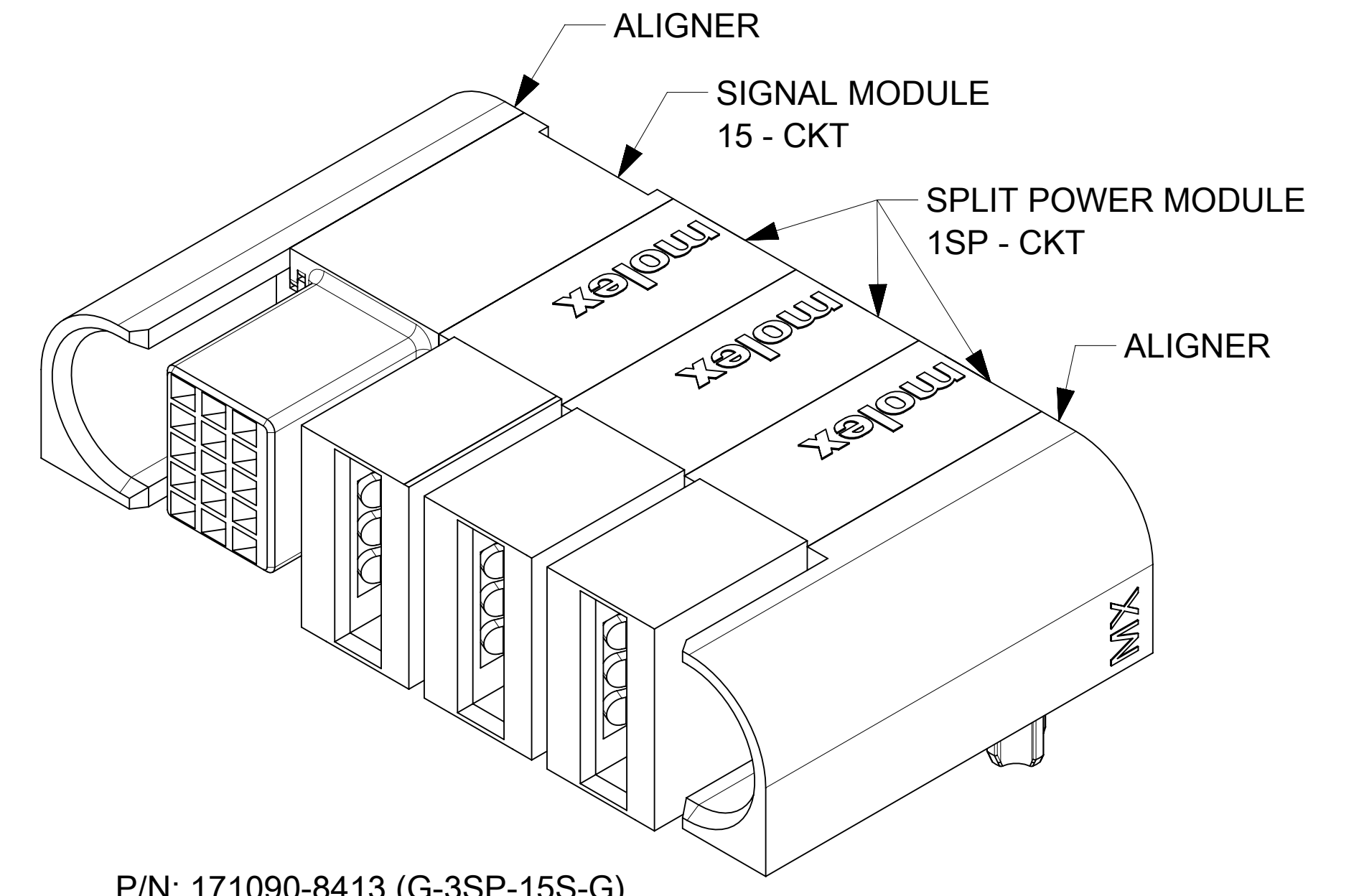
DIMENSION UNITS <b>mm</b>	SCALE <b>4:1</b>	CURRENT REV DESC: REMOVED P/N 8414, 8415, 8419 & 8420	<b>molex</b>			
GENERAL TOLERANCES (UNLESS SPECIFIED)						
ANGULAR TOL	± 0.5°	EC NO: 707711	G-*SP-*S-G R/A RECEP ASSY - TEN60 SPLIT POWER			
4 PLACES	±	DRWN: KSUTAR 2022/05/20				
3 PLACES	±	CHK'D: GJEEVANSURES 2022/05/23	PRODUCT CUSTOMER DRAWING			
2 PLACES	± 0.13	APPR: HTHYAGARAJ 2022/06/08				
1 PLACE	± 0.25	INITIAL REVISION:	DOCUMENT NUMBER	DOC TYPE	DOC PART	REVISION
0 PLACES	±	DRWN: KSUTAR 2021/09/27	<b>1710908420</b>	PSD	000	<b>A2</b>
DRAFT WHERE APPLICABLE MUST REMAIN WITHIN DIMENSIONS		APPR: HTHYAGARAJ 2021/11/08	MATERIAL NUMBER	CUSTOMER	SHEET NUMBER	
THIRD ANGLE PROJECTION		DRAWING	<b>SEE TABLE</b>	<b>GENERAL MARKET</b>	<b>2 OF 3</b>	
D-SIZE		SERIES	<b>171090</b>			



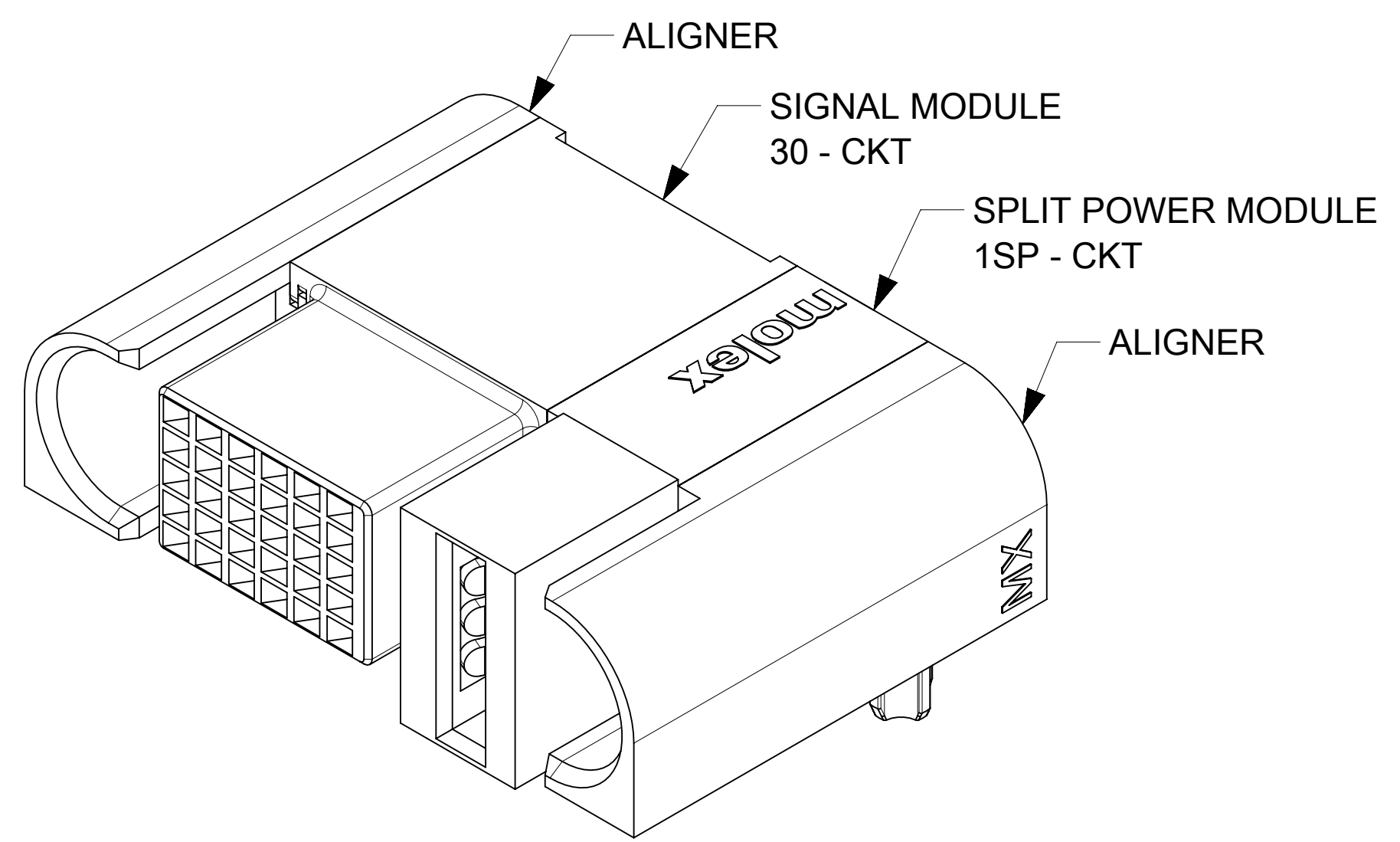
P/N: 171090-8411 (G-1SP-15S-G)



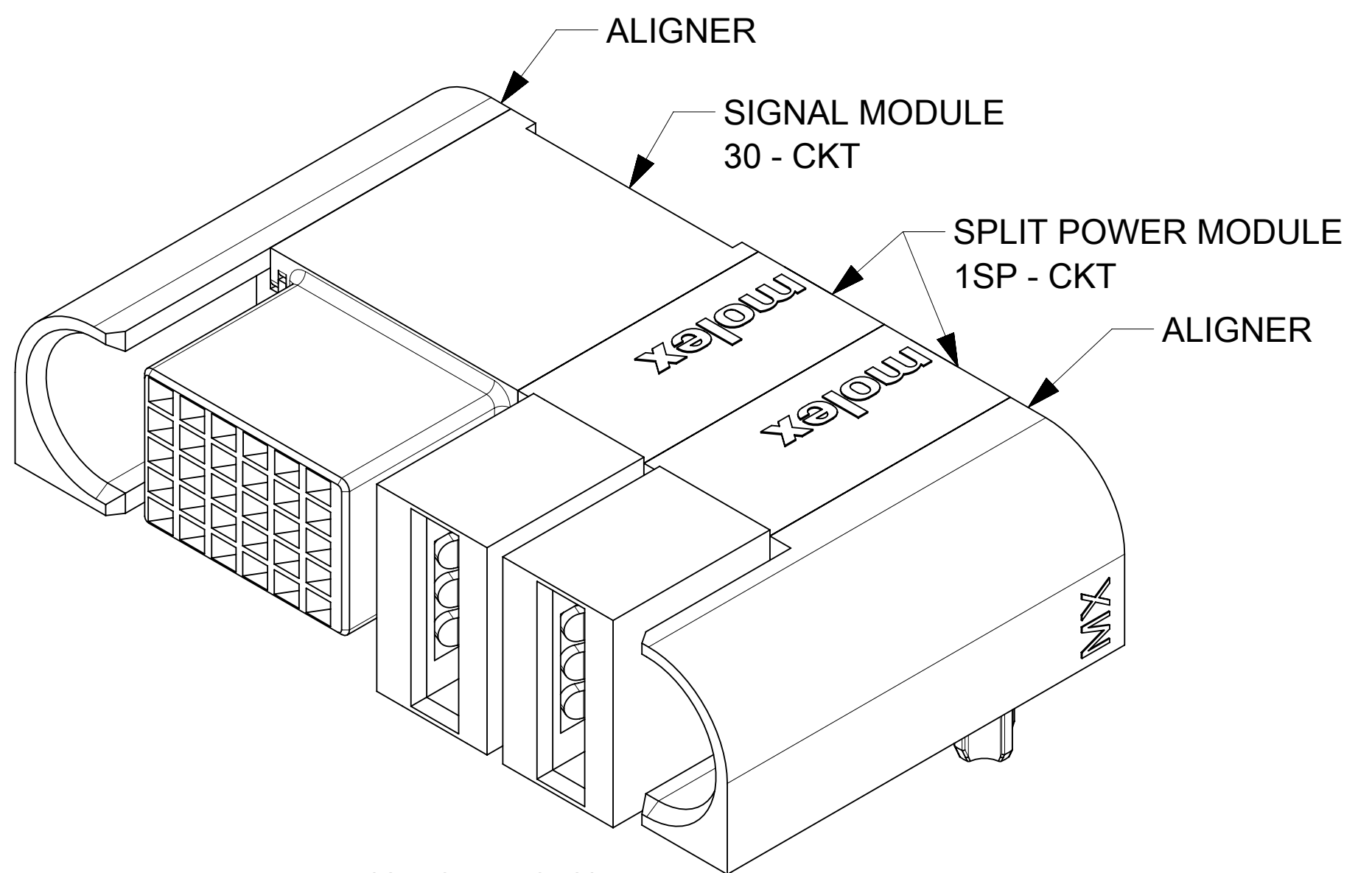
P/N: 171090-8412 (G-2SP-15S-G)



P/N: 171090-8413 (G-3SP-15S-G)



P/N: 171090-8416 (G-1SP-30S-G)



P/N: 171090-8417 (G-2SP-30S-G)

THIS DRAWING CONTAINS INFORMATION THAT IS PROPRIETARY TO MOLEX ELECTRONIC TECHNOLOGIES, LLC AND SHOULD NOT BE USED WITHOUT WRITTEN PERMISSION									
DIMENSION UNITS	SCALE	CURRENT REV DESC: REMOVED P/N 8414, 8415, 8419 & 8420							
mm	4:1	<div style="text-align: center;"><b>molex</b></div> <p>G-*SP-*S-G R/A RECEP ASSY - TEN60 SPLIT POWER</p> <p>PRODUCT CUSTOMER DRAWING</p>							
GENERAL TOLERANCES (UNLESS SPECIFIED)									
ANGULAR TOL	± 0.5°								
4 PLACES	±								
3 PLACES	±								
2 PLACES	± 0.13	EC NO: 707711	DRWN: KSUTAR		2022/05/20			DOCUMENT NUMBER	
1 PLACE	± 0.25	INITIAL REVISION:		DRWN: KSUTAR		2021/09/27		1710908420	
0 PLACES	±	APPR: HTHYAGARAJ		2021/11/08		APPR: HTHYAGARAJ		PSD 000 A2	
DRAFT WHERE APPLICABLE MUST REMAIN WITHIN DIMENSIONS		THIRD ANGLE PROJECTION	DRAWING	SERIES	MATERIAL NUMBER	CUSTOMER	SHEET NUMBER		
			D-SIZE	171090	SEE TABLE	GENERAL MARKET	3 OF 3		

DOCUMENT STATUS	P1	RELEASE DATE	2022/06/08	15:12:30
-----------------	----	--------------	------------	----------