

**A520**

43kg + xx kg = Max. 150kg

**SPRINTER/CRAFTER 2006-L2, H2, TWIN DOORS**

2820mm  
3665mm  
5910mm

x 11  
x 11  
325mm  
790mm  
775mm  
1040mm

(F) (R)

(F) (R)

1 2 3 4 5 6 7 8




EXT09-004 x 8



MS168 x 8



PS095 x 8



PS089 x 1



PS090 x 1

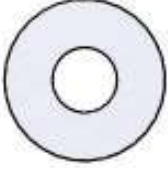


PS023 x 8

(1:1)



FB003 (M8 x 65) x 16



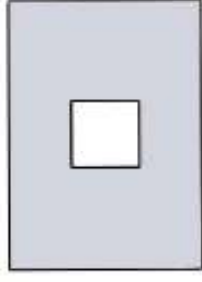
FW002 (M8) x 40



FN006 (M8) x 24



FS020 x 8



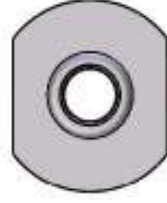
MS209 x 8



FS058 (M8 x 25) x 8



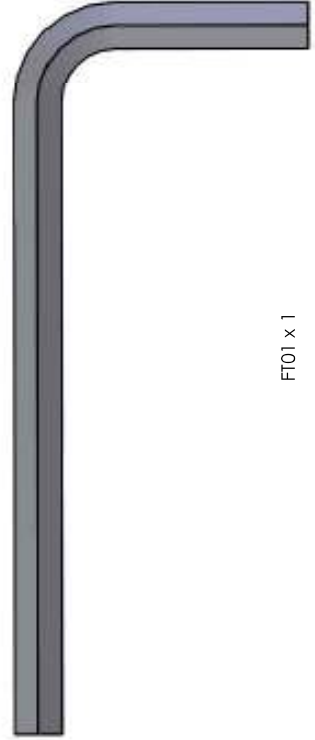
FS015 (M8 x 25) x 8



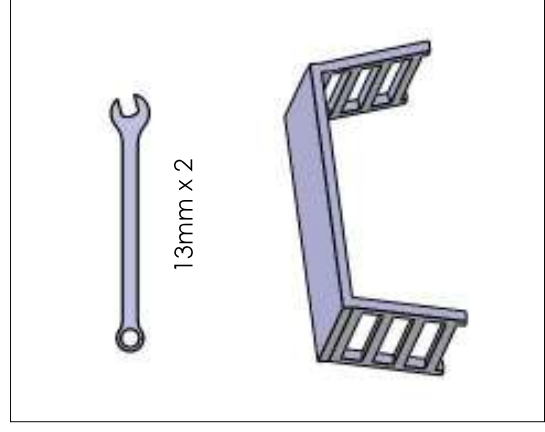
FN023 (M8) x 22



FS059 (M8 x 25) x 22



FT01 x 1



13mm x 2

