

Technical Information

No. FO 5164 - subject to change without notice

Edition: 08/2019

Supersedes: -

Status: preliminary

Metal Halide Lamp

HMI® DIGITAL 4000W

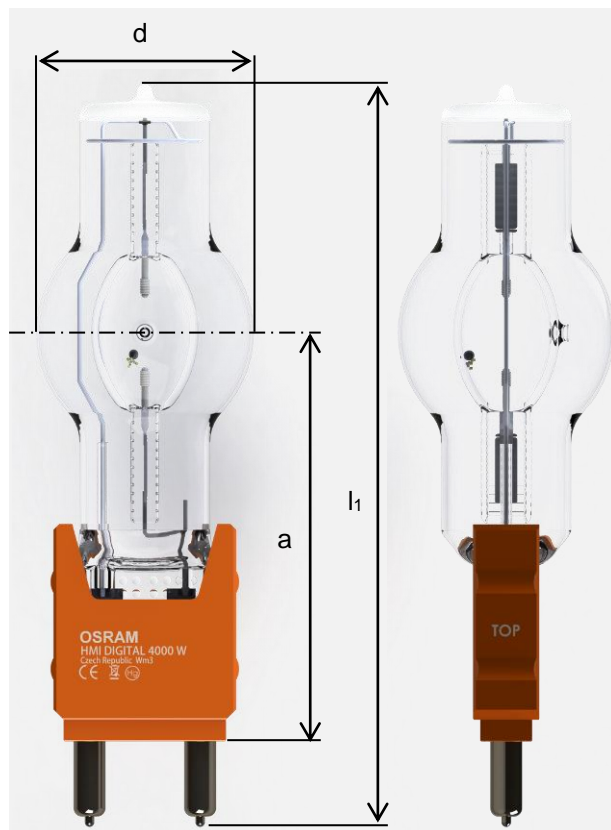
■ Product description

The OSRAM HMI® DIGITAL 4000W is a single-ended metal halide lamp with outer jacket featuring OSRAM's eXtreme-Seal Technology. The lamp stands pinch temperatures up to 450°C. New outer bulb material reduces UV emissions down to 0.1%. This lamp type is mainly used in film, theatre and TV lighting applications.

■ Technical data *

Order reference		HMI DIGITAL 4000 W
Rated lamp wattage	W	4000
Rated lamp voltage	V	195 ^{+12,5} _{-7,5}
Rated lamp current	A	24,5
Ignition voltage (cold, kHz-ign.)	kVs	5
Ignition voltage (cold / hot, MHz-ign.)	kVs	20/45 (55 max.)
Luminous flux	lm	387 000
Luminous efficacy	lm/W	97
Color temperature	K	5 850
Color rendering index CRI		95
Light arc length (cold)	mm	23,5
Lamp length (overall) l_1	mm	260 max.
Diameter bulb d	mm	75 ± 0,9
LCL a	mm	141 ± 1
Average service life	h	500
Base		G38

* Data are average values if no tolerance is listed



■ Lamp operation

Maximum permissible base temperature	°C	450 / with eXtreme Seal Technology (measured on Moly-foil/pinch)
Cooling		Convection
Burning position		S 135 (vertical ± 135°); in horizontal position current bar up

The HMI® DIGITAL 4000 W can be used only on electronic control gears (ECG) especially for flicker-free operation.

■ Manufacturers of igniters and control gear (not all officially approved by OSRAM)

Ignitors: Bauch 905, 912

ECGs:

ARRI 4000 EBB, 2.5/4kW EB, 2.5/4kW EB DMX; B&S EB 4000C;
DE SISTI DEB 4000; ERC DEB 4000; Film Gear 2,5/4

OSRAM