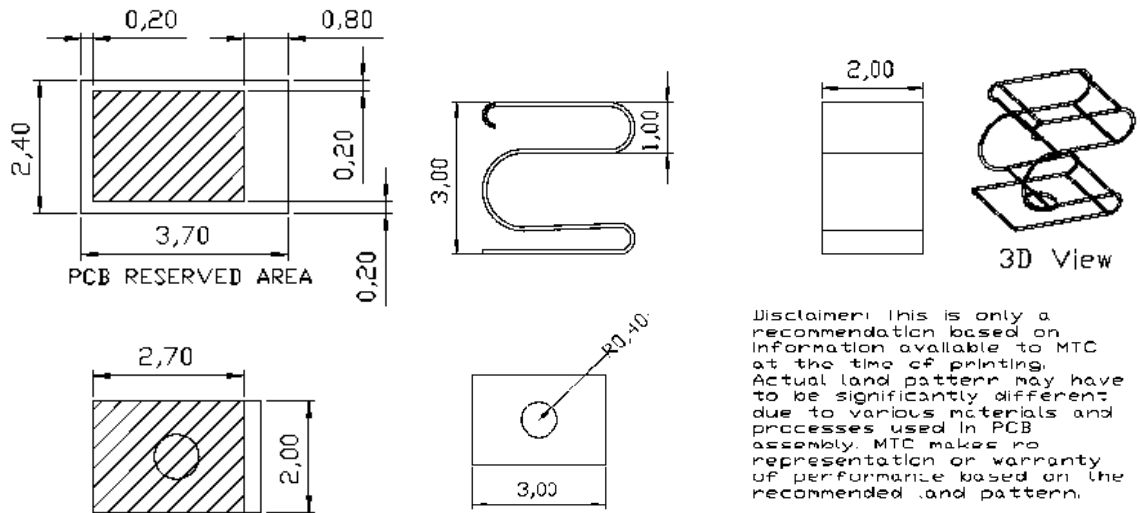


Product Name / SMD contact finger springs FCB-173G2030030B-AU-SMD
Produktbezeichnung SMD-Kontaktfedern FCB-173G2030030B-AU-SMD

Structure / Aufbau



Disclaimer! This is only a recommendation based on information available to MTC at the time of printing. Actual land pattern may have to be significantly different due to various materials and processes used in PCB assembly. MTC makes no representation or warranty of performance based on the recommended land pattern.

PAD DIMENSION RECOMMEND

TECHNICAL DATASHEET

Classification Klassifikation	Unit Einheit	Typical values typische Werte	Remarks / Bemerkungen
----------------------------------	-----------------	----------------------------------	--------------------------

Material

Basic material Basismaterial		BeCu (beryllium copper) / CuBe (Kupfer-Beryllium)	
Surfaces Oberflächen		Gold-plated, vergoldet	Other surfaces on customer's request / andere Oberflächen auf Kundenwunsch

Dimensions Abmessungen	mm	T 0,08	Dimensions according to drawing / Maße gemäß Zeichnung
----------------------------------	----	-----------	--

Typical properties of BeCu / typische Eigenschaften von CuBe

Electrical conductivity elektrische Leitfähigkeit	m / Ωmm ₂	12,5-13	
Tensile strength Zugfestigkeit	N / mm ²	1200-1450	
Modulus of torsion Torsionsmodul	N / mm ²	47.000	
Modulus of elasticity Elastizitätsmodul	N / mm ²	135.000	

Subject to change without notice / technische Änderungen vorbehalten

Februar 2012