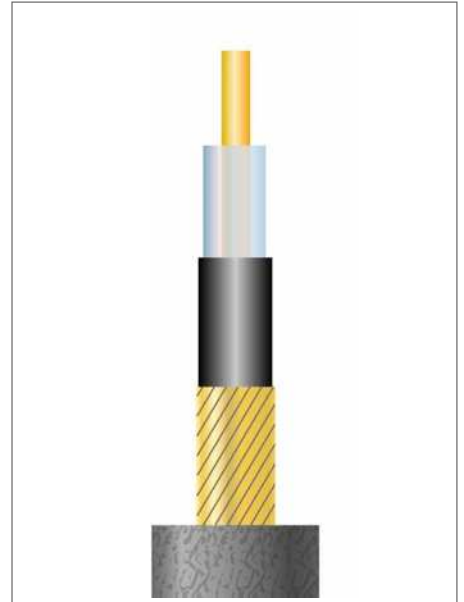
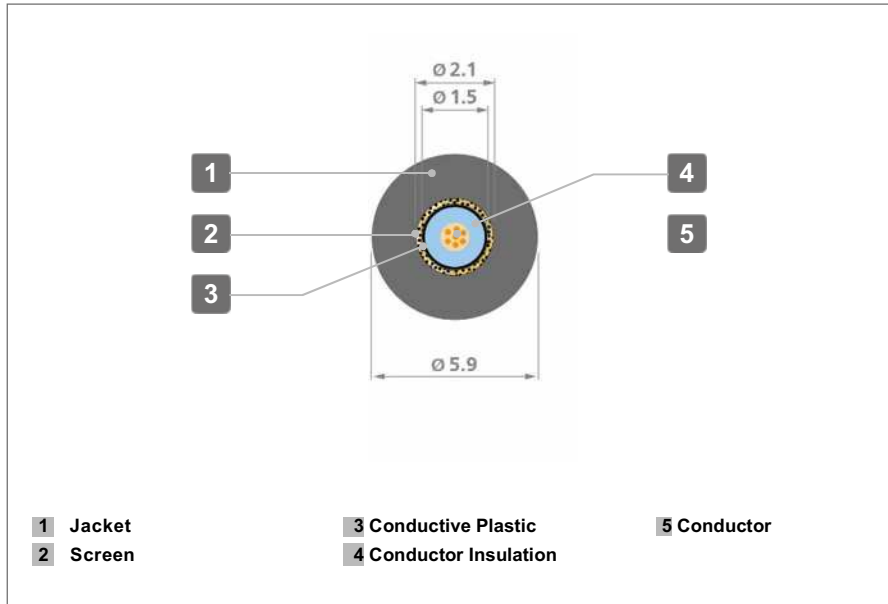


# Guitar / Instrument Cable 6.0mtr RIPR060

YIK122

Instrument / Guitar Cable, O.D. 5.9 mm, 0.22 mm<sup>2</sup> / AWG 24



## MECHANICAL SPECIFICATION

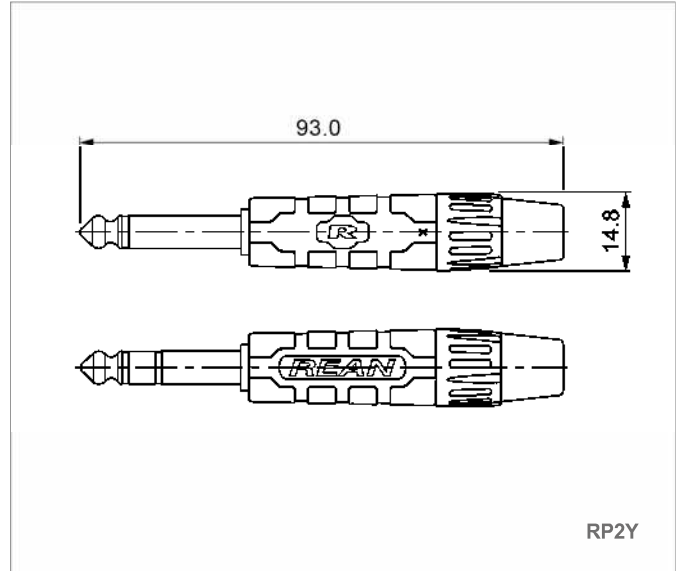
Composition of conductor	7 x 0.20 mm bare annealed copper, OFC standard
Conductor insulation	LD-PE, Type: DOW 6005 Ø 1.5 mm
Conductor color	transparent
Conductive Plastic Layer	Conductive PVC Ø 2.1 mm
Shield	58 x Ø 0.10 mm Spiral shield, Bare annealed copper, OFC standard, Coverage ≥ 99 %
Overall jacket material	PVC with restricted Substance: Cadmium: < 5 PPM ("Cadmium free") Lead: < 50 PPM Mercury: < 2 PPM Chromium: Not contained
Jacket colour	Black (other colours on request)
Overall diameter	Ø 5.9 mm tolerance: +/- 0.2 mm
Working temperature - Mobile - Fixed	-5°C to +70 °C -20 °C to +70 °C
Cable Printing	- Standard cable print - Customer cable print on request

## ELECTRICAL SPECIFICATION

Conductor DC resistance	≤ 80 m <sup>∧</sup> / m – 20 °C
Screen DC resistance	≤ 40 m <sup>∧</sup> / m – 20 °C
Conductive Plastic DC resistance	≤ 3 K <sup>∧</sup> – Distance 20 mm
Insulation resistance	> 1 G <sup>∧</sup> / m – 20 °C, 500 V <sub>DC</sub>
Capacitance conductor / screen	≤ 140 pF / m – 1 KHz
Test voltage: Conductor / Screen	1.00 VAC – 50 Hz, 1 Minute

# 1/4" Phone Plugs, 2-pole

Y Series



## FEATURES

- *Slim and ergonomic design – space saving and convenient to handle*
- *Rugged zinc diecast shell – long lasting and reliable*
- *Chuck type strain relief – best cable retention, easy to assemble*
- *Rubber boot kink protection – guarantees best cable protection and offers long cable life*

## CONNECTOR

Type No.	Description
RP2Y	1/4" plug, 2-pole, nickel plated housing and nickel plated plugfinger

**REAN**<sup>®</sup>

# 1/4" Phone Plugs

## TECHNICAL DATA

### ELECTRICAL

Contact resistance	< 10 m $\Omega$
Dielectric strength	> 1 kV dc
Insulation resistance	> 1 G $\Omega$
- initial	
- after damp heat test	> 0.1 G $\Omega$

### MECHANICAL

Lifetime	> 1'000 mating cycles
Lateral load capacity	> 4 Nm
Strain relief force	> 70 N
Cable O.D. range	4.0 - 7.0 mm
Wiring type	Soldering
Max. wire size	1 mm <sup>2</sup> / AWG 18

### MATERIAL

Shell (housing)	Zinc diecast
Shell plating	Nickel
Insert	Nylon
Contacts	Brass
Contact plating	Ni
Strain relief (chuck)	POM
Bushing	Nylon
Boot	PVC

### ENVIRONMENTAL

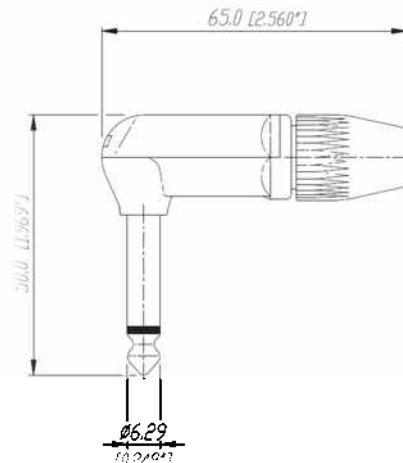
Operating temperature	-20 °C to +70 °C
Solderability	Complies with IEC 68-2-20

Data subject to change without prior notice. © 2017 REAN® is a registered trademark of the Nedrick Group. ALL RIGHTS RESERVED.

# 1/4" Phone Plugs, 2-pole



RP2RC



## FEATURES

- *Attractive and valuable design*
- *Slim 1/4" plug with ergonomic finger groove – grants high packing density along with best handling convenience*
- *Rugged zinc diecast shell – long lasting and reliable*
- *Chuck type strain relief – best cable retention, easy to assemble*
- *Rubber boot kink protection – guarantees best cable protection and offers long cable life*
- *Compact and ergonomic right angle plug – high packing density*

**REAN**<sup>®</sup>

# 1/4" Phone Plugs

## CONNECTOR

Type No.	Description

## TECHNICAL DATA

### ELECTRICAL

<i>Rated current per contact</i>	<i>depends on mating connector</i>
<i>Contact resistance</i>	<i>depends on mating connector</i>
<i>Insulation resistance</i>	<i>&gt; 1.5 G<math>\wedge</math></i>
<i>Dielectric strength</i>	<i>1 kV dc</i>

### MECHANICAL

<i>Lifetime</i>	<i>&gt; 1'000 mating cycles</i>
<i>Cable O.D. range</i>	<i>4.0–7.0 mm</i>
<i>Wiring</i>	<i>solder contact</i>
<i>Max. wire size</i>	<i>AWG 18 (1 mm<sup>2</sup>)</i>

### MATERIAL

<i>Bushing</i>	<i>PA 6 30% GR</i>
<i>Contacts</i>	<i>Brass (CuZn39Pb3)</i>
<i>Contact plating</i>	<i>Ni</i>
<i>Insert</i>	<i>PA 6 30% GR</i>
<i>Shell (housing)</i>	<i>ZnAl4Cu1</i>
<i>Shell plating</i>	<i>Ni</i>
<i>Strain relief</i>	<i>POM</i>

### ENVIRONMENTAL

<i>Operating temperature</i>	<i>-20°C to +70°C</i>
<i>Solderability</i>	<i>complies with IEC68-2-20</i>

Data subject to change without prior notice. © 2017 REAN® is registered trademark of the Neutrik Group. ALL RIGHTS RESERVED.

**REAN**®