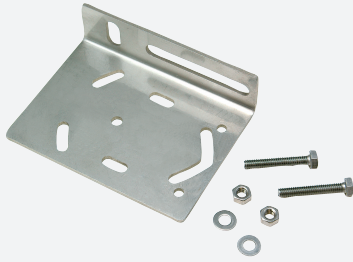


Mounting aid

OMH-RL31-05

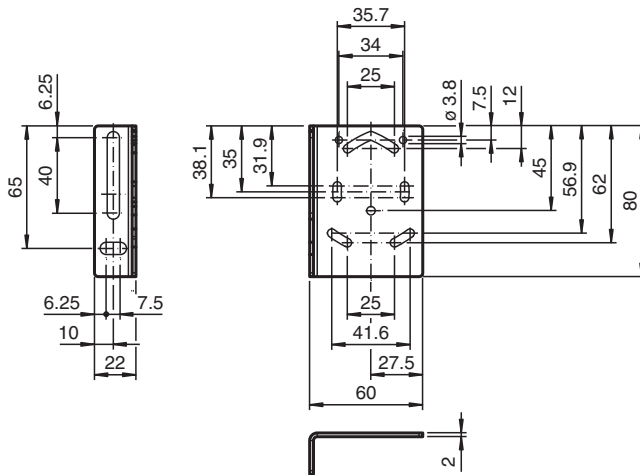


- Mounting bracket
- Simple and fast mounting

Mounting bracket for mounting on flat surfaces with 2 M4 screws



Dimensions



Technical Data

General specifications	
Accessories provided	Mounting set for one sensor
Mechanical specifications	
Material	Stainless steel
Suitable series	
Series	Series 31

Release date: 2020-03-23 Date of issue: 2020-06-30 Filename: 212659_eng.pdf

Refer to "General Notes Relating to Pepperl+Fuchs Product Information".

Pepperl+Fuchs Group
www.pepperl-fuchs.com

USA: +1 330 486 0001
fa-info@us.pepperl-fuchs.com

Germany: +49 621 776 1111
fa-info@de.pepperl-fuchs.com

Singapore: +65 6779 9091
fa-info@sg.pepperl-fuchs.com

PF PEPPERL+FUCHS