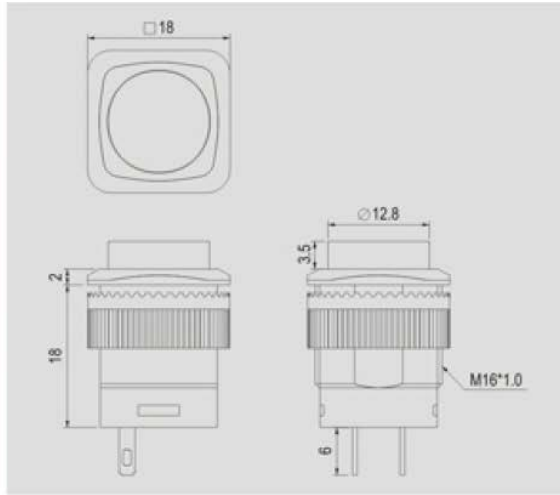


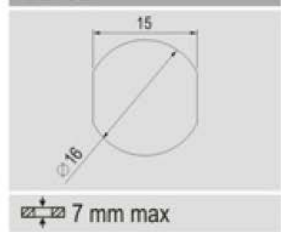
Datasheet

Item no. 1587742

V1_0817_01_en

Push Switch (printing UL)

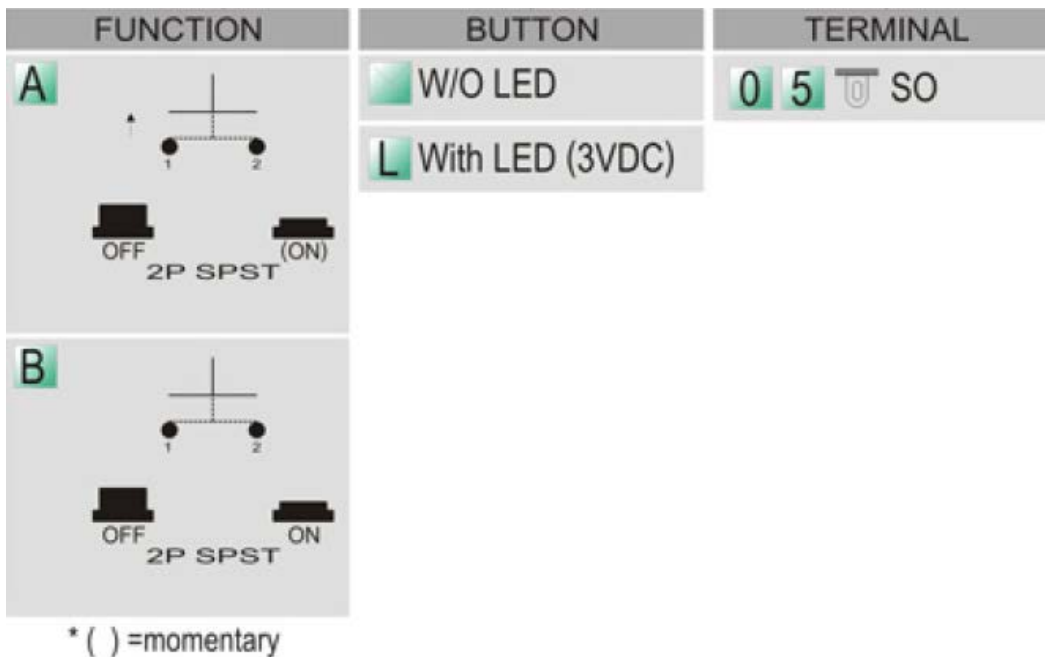


Rating
3A 125V AC 1.5A 250V AC
Contact resistance
50mΩ Max
Insulation resistance
DC 500V 100MΩ Min
Dielectric strength
AC 1500V 1 minute
Cut-out


FEATURES

- * MATERIAL: Frames are nylon with glass fiber (UL flame: 94V-2). Terminals are silver plated brass.
- * Illuminated actuator are molded in PC, available with red, amber and green colors.
- * Mounted by nut.

Unit: mm



This is a publication by Conrad Electronic SE, Klaus-Conrad-Str. 1, D-92240 Hirschau (www.conrad.com).

All rights including translation reserved. Reproduction by any method, e.g. photocopy, microfilming, or the capture in electronic data processing systems require the prior written approval by the editor. Reprinting, also in part, is prohibited. This publication represents the technical status at the time of printing.

© Copyright 2017 by Conrad Electronic SE.