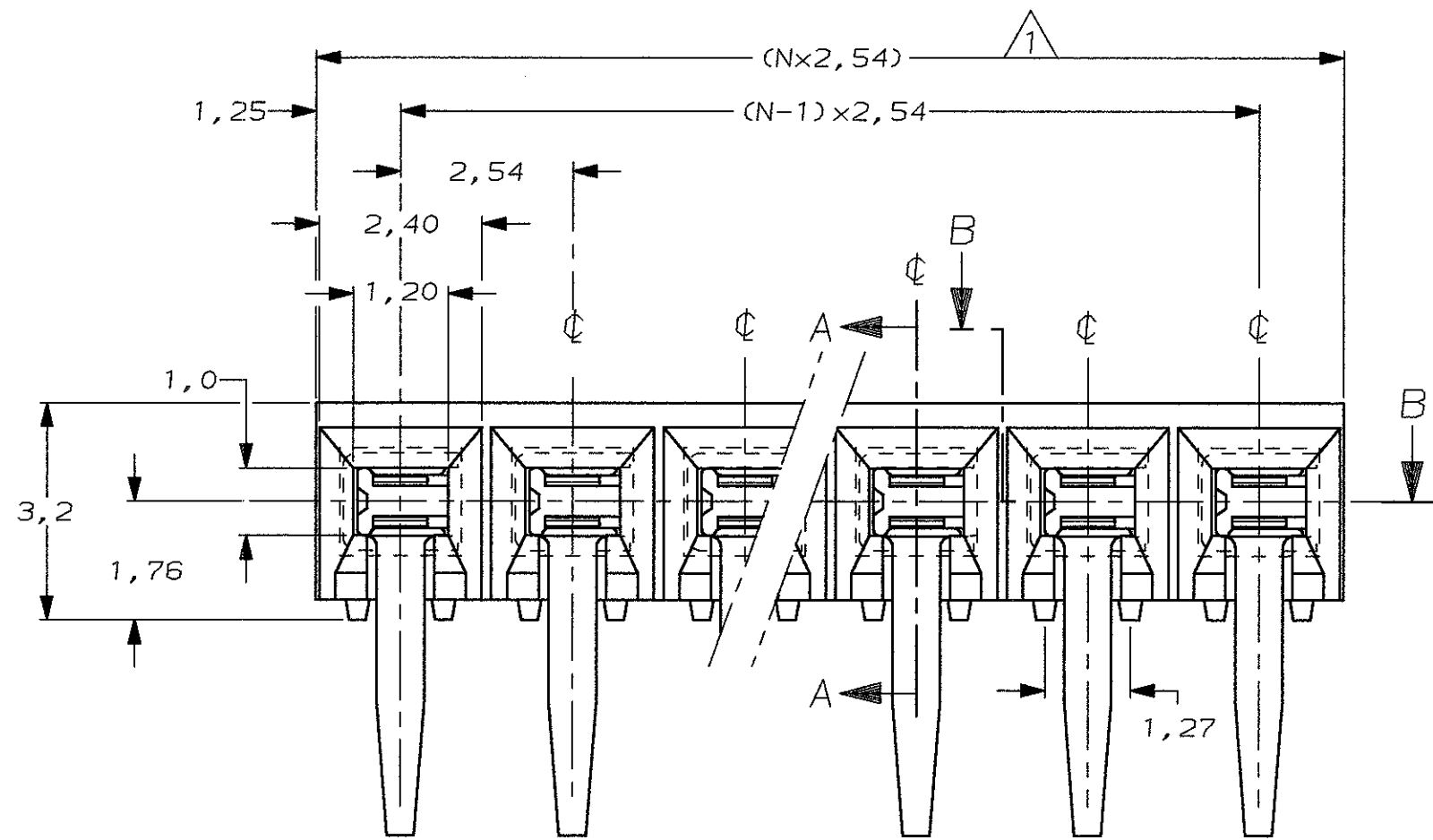
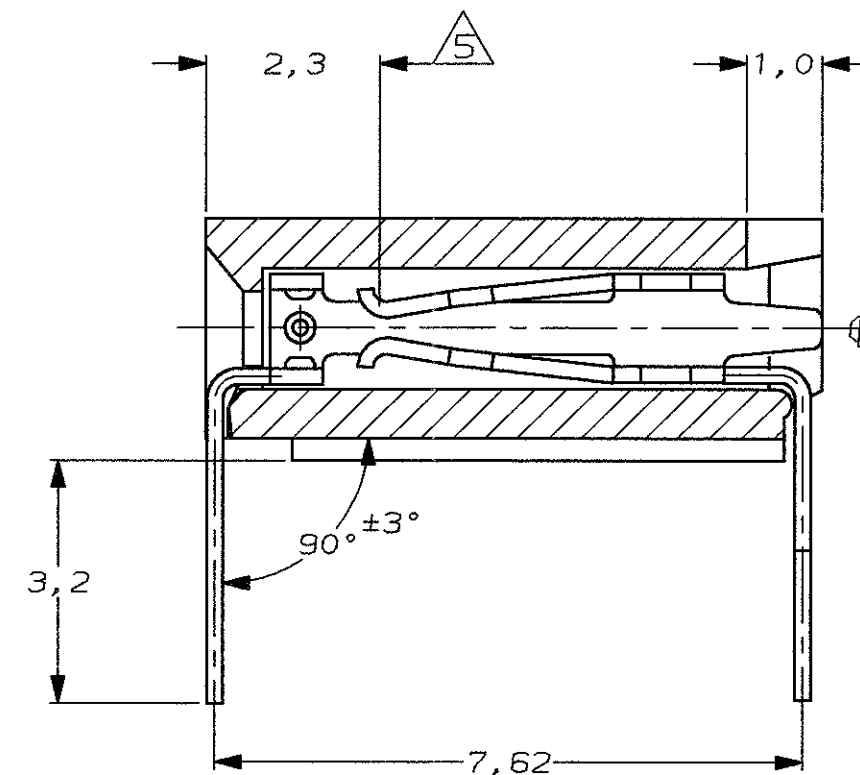


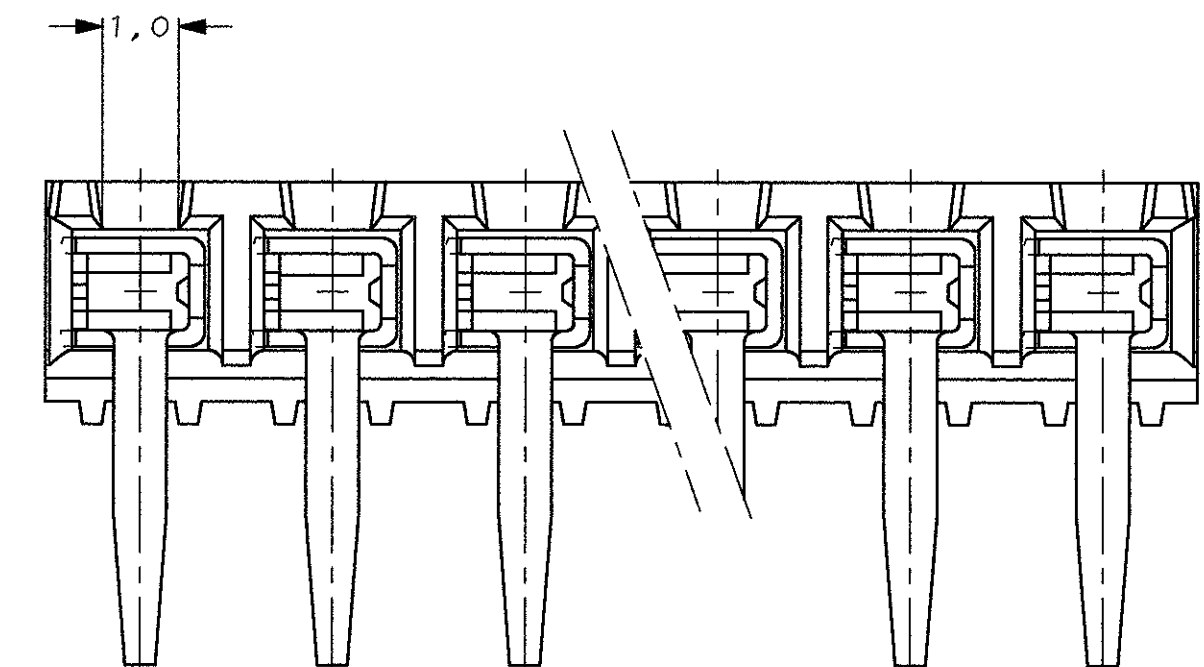
SECTION B-B/TOPVIEW



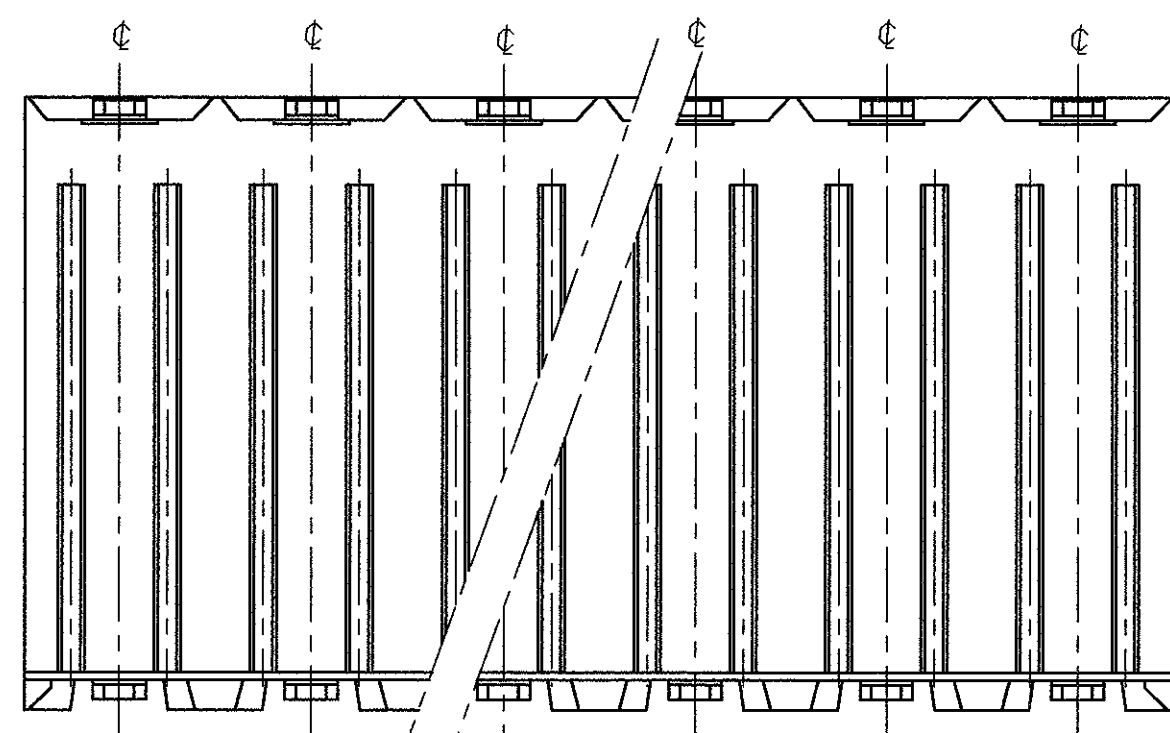
FRONT VIEW



SECTION A-A



REAR VIEW

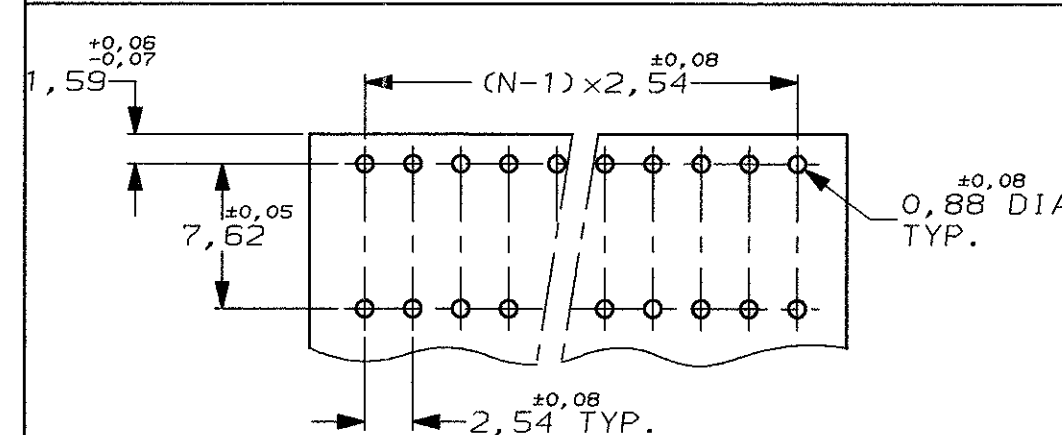


BOTTOM VIEW

NOTES:

- 1 TO DETERMINE DIMENSIONS TAKE N=NR. OF POS.
FOR EXAMPLE, 10 POS., $N \times 2,54 = 25,4$ mm.
FOR ORDER NR. USE BASIC NR.+NR. OF POS.
FOR EXAMPLE, 2 POS. = 216602-2 (SHORTEST VERSION)
65 POS. = 6-216602-5 (LONGEST VERSION)
- 2 HOUSING MATERIAL, GREEN GLASS FILLED POLYESTER, UL 94V-0
CONTACT MATERIAL, PHOSPHOR BRONZE.
- 3 PLATING, UNDERCOATING, $1,3 \mu\text{m Ni}$
AT CONT. PLACE, $0,8 \mu\text{m Au}$
AT SOLDER-TINES, $2,5 \mu\text{m SnPb}$
- 4 MATES WITH 0,63 SQUARE/ROUND MODU POSTS.
- 5 CONTACT-POINT.
- 6 RECOMMENDED P.C. BOARD-THICKNESS, 1,6 mm.
- 7 PRINTED: BASIC PARTNUMBER, THE WORD "AMP", PRODUCTION DATE AND A DASHED LINE OVER THE LENGTH OF HOUSING TO INDICATE CONTACT MATING SIDE.

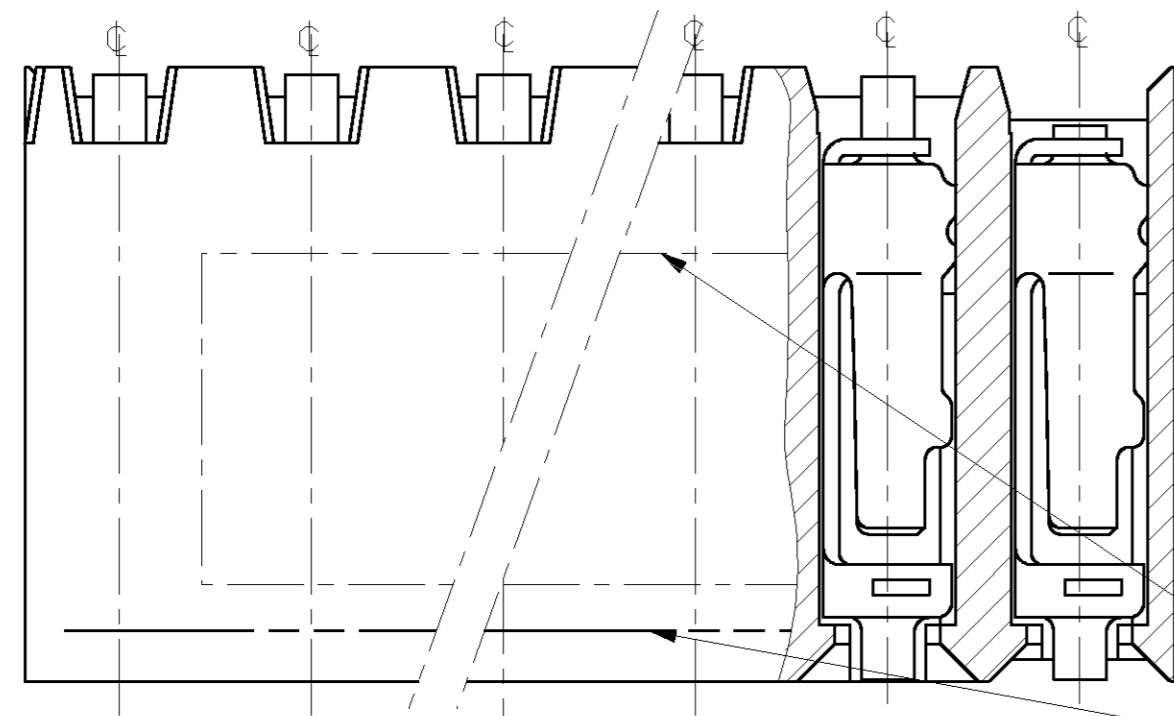
RECOMMENDED P.C. BOARD-HOLE LAYOUT



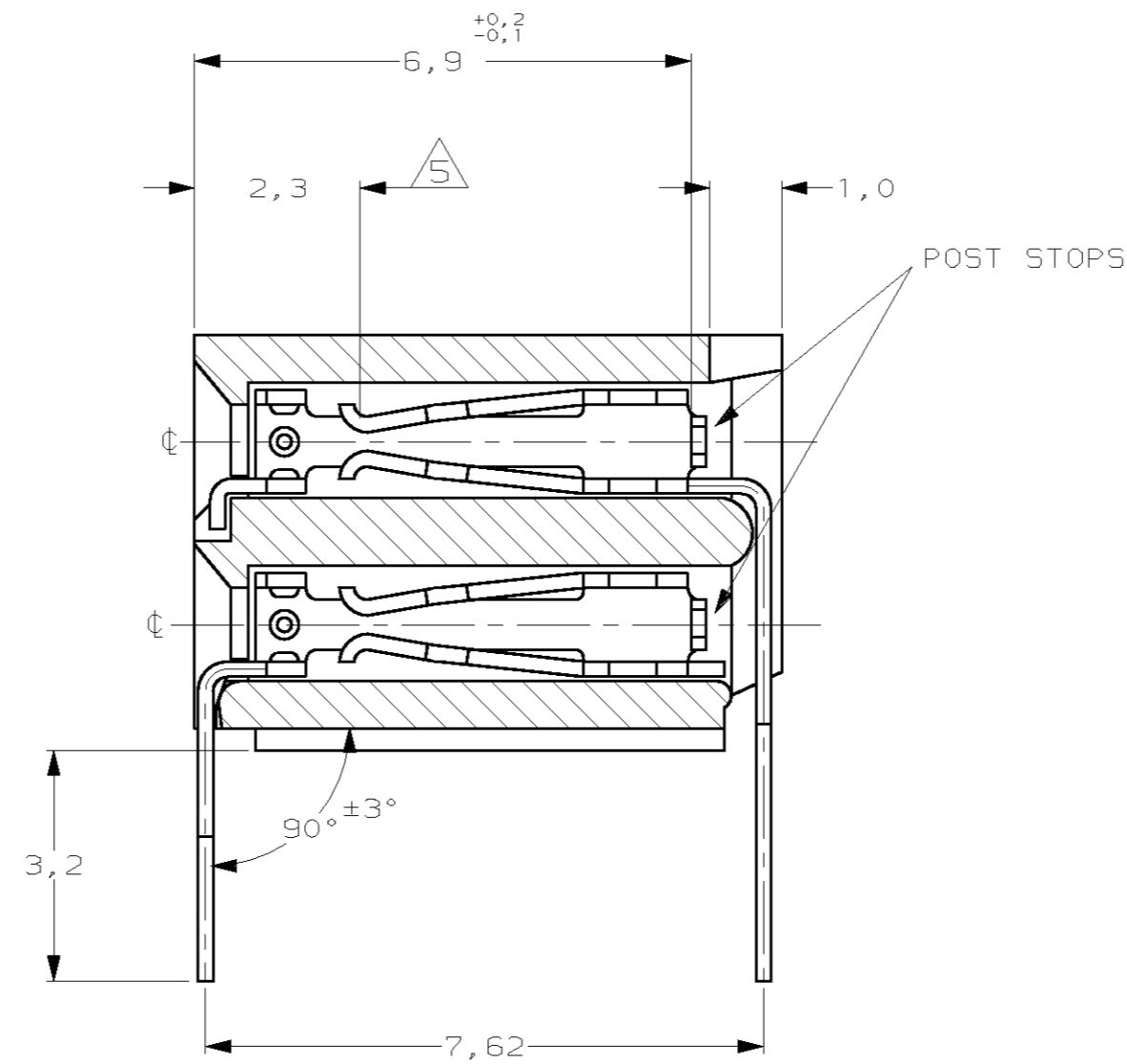
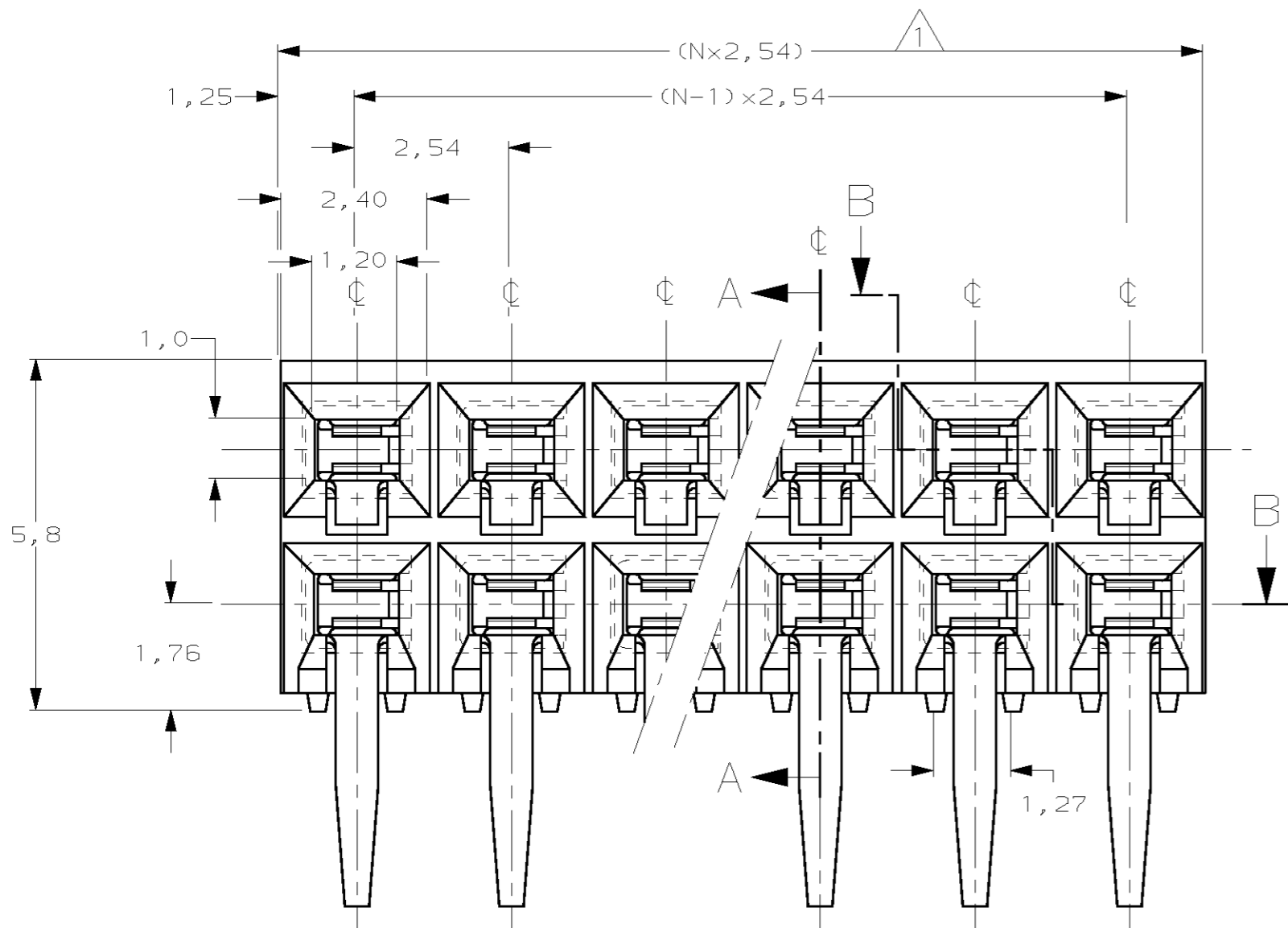
FINISH		MATERIAL		PARTNUMBER	
CUSTOMER DRAWING FOR REFERENCE ONLY WILL NOT BE UPDATED					
© COPYRIGHT 1991 BY AMP HOLLAND B.V. ALL INTERNATIONAL RIGHTS RESERVED. AMP PRODUCTS MAY BE COVERED BY U.S. AND FOREIGN AND/OR PATENTS PENDING.					
THIS DRAWING IS UNPUBLISHED					
RELEASED FOR PUBLICATION DEC, 1991					
H	EH-0467-97	JvL	RdB	06-05-97	AMP HOLLAND B.V. s-Hertogenbosch, The Netherlands.
G	EH-1294-96	RdB	RdB	07-NOV-96	
F	H-8275	LvdH	WRA	17 APR '92	NAME HV 190 HOR. ASS'Y SINGLE ROW GOLD VERSION (MAX. 65 POSITIONS)
E	ECN H9408	WRA	WRA	19-12-91	
LTR. REVISION RECORD		DR.	CHK.	DATE	
DR.:	W.R. ANNORKEE	CHK.:	R.T. DE BLIECK	APP.:	R. SMEETS
DATE:	19/12/91	DATE:	-	DATE:	-
DWG. No. C-216602		REV. LTR.	H	SHEET	1 OF 1

NOTES:

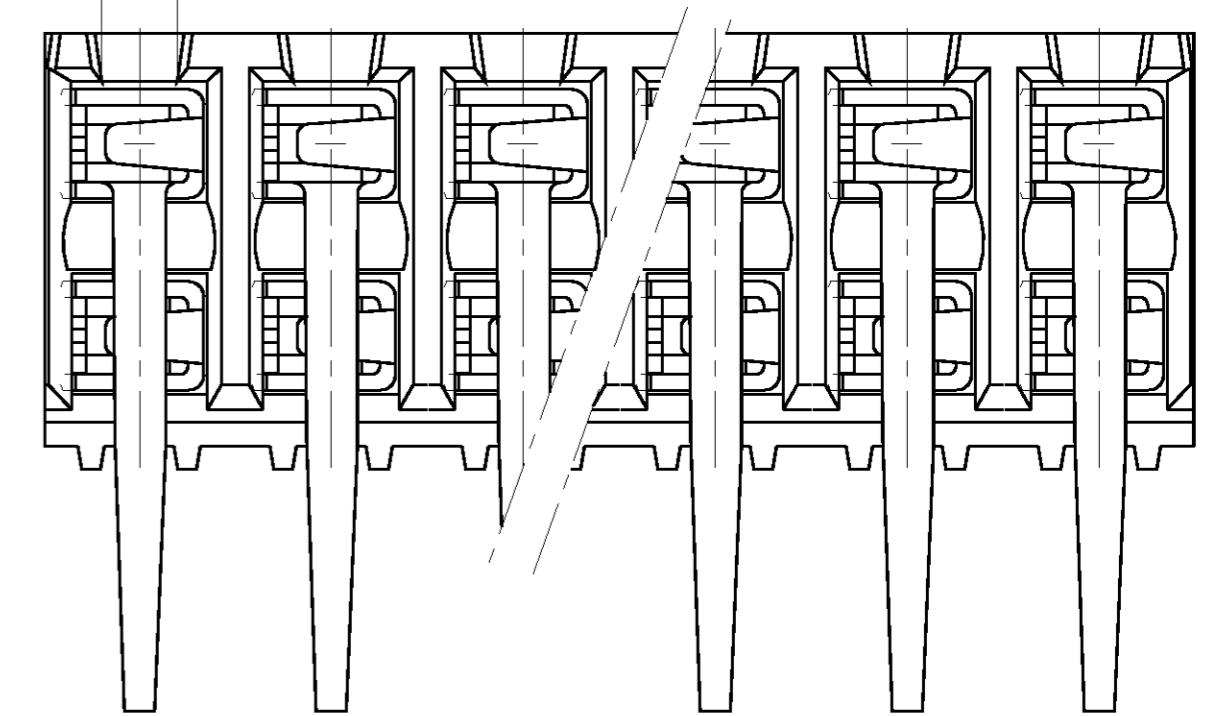
- 1 TO DETERMINE DIMENSIONS TAKE N=NR. OF POS.
FOR EXAMPLE, 10 POS., $N \times 2,54 = 25,4$ mm.
FOR ORDERNR. USE BASIC NR.+NR. OF POS.
FOR EXAMPLE, 2×2 POS. = 216604-2 (SHORTEST VERSION)
 2×65 POS. = 6-216604-5 (LONGEST VERSION)
 - 2 HOUSING MATERIAL, GREEN GLASSFILLED POLYESTER, UL 94V-0
CONTACT MATERIAL, PHOSPHORBRONZE.
 - 3 PLATING, UNDERCOATING, 1,3µm Ni
AT CONT. PLACE, 0,8µm Au
AT SOLDER-TINES, 3,0-5,0µm TIN
 - 4 MATES WITH 0,63 SQUARE/ROUND MODU POSTS.
 - 5 CONTACT-POINT.
 - 6 RECOMMENDED P.C. BOARD-THICKNESS, 1,6mm.
- PRINTED: BASIC PARTNUMBER, THE WORD "AMP", PRODUCTION DATE AND A DASHED LINE OVER THE LENGTH OF HOUSING TO INDICATE CONTACT MATING SIDE.



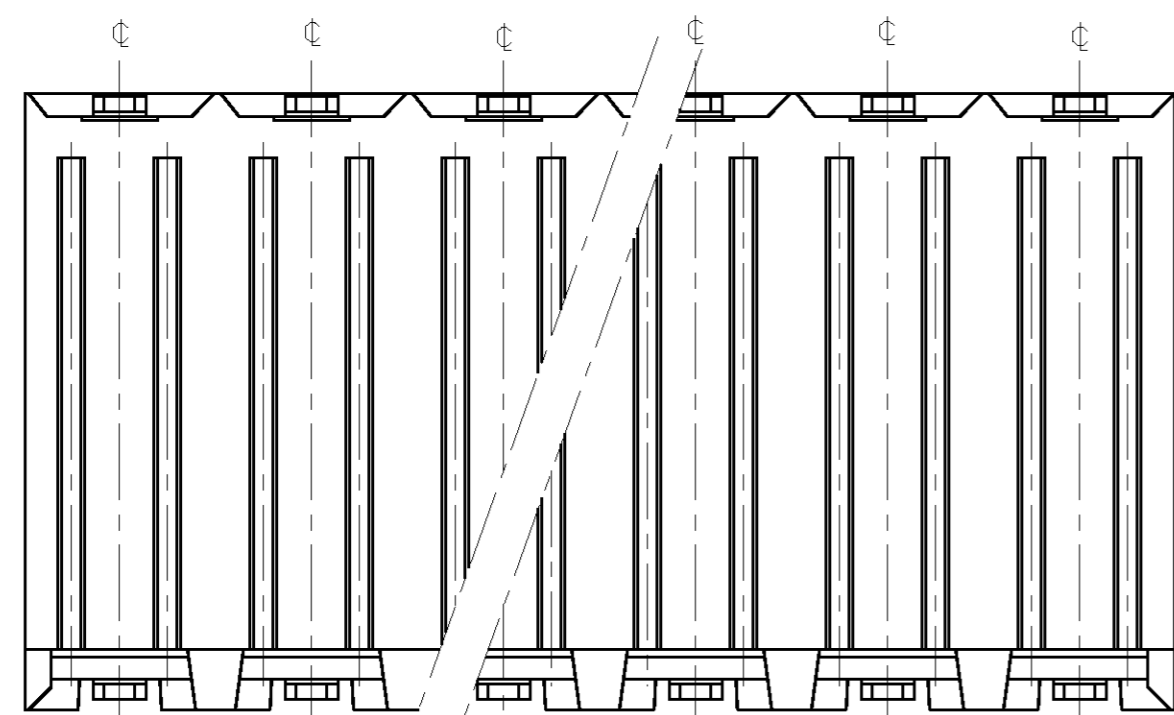
SECTION B-B/TOP VIEW



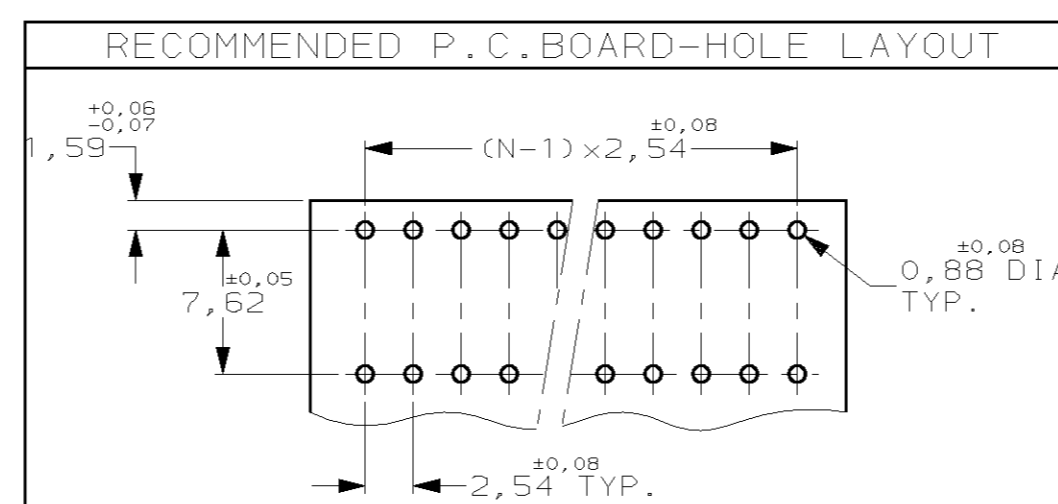
SECTION A-A



REAR VIEW



BOTTOM VIEW



RECOMMENDED P.C. BOARD-HOLE LAYOUT				FINISH		MATERIAL		PARTNUMBER	
-	-	-	-	-	-	-	-	CUSTOMER DRAWING FOR REFERENCE ONLY WILL NOT BE UPDATED	
-	-	-	-	-	-	-	-	© COPYRIGHT 1991 BY AMP HOLLAND B.V. ALL INTERNATIONAL RIGHTS RESERVED. AMP PRODUCTS MAY BE COVERED BY U.S. AND FOREIGN AND/OR PATENTS PENDING.	
H1	EU00-0011-03	TISZA K155	ZITZ	20 MAY 03	THIS DRAWING IS UNPUBLISHED RELEASED FOR PUBLICATION DEC, 1991				
H	EH-0467-97	JvL	RB	06-05-97	AMP AMP HOLLAND B.V. 's-Hertogenbosch, The Netherlands.				
G	EH-1294-96	RdB	RdB	07 NOV 96					
F	H-8257	LvdH	WRA	17 APR '92	NAME HV 190 HOR. ASS'Y DUAL ROW GOLD VERSION (MAX. 2X65 POSITIONS)				
E	ECN H9408	WRA	WRA	19-12-91	DRG.No. C-216604				
LTR.	REVISION RECORD	DR.	CHK.	DATE	REV.LTR. SHEET H1 1 OF 1 A2				
DR.:	W.R.ANNOKKEE	CHK.:	R. de Bliock	APP.:	R.SHEETS	DATE: 19-12-91 DATE: 07 NOV 95 DATE: 07-NOV-95			