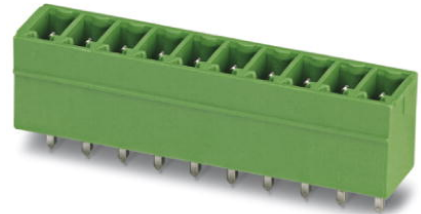


MCV 1,5/ 4-G-3,81

Order No.: 1803442

The figure shows a 10-position version of the product



<http://eshop.phoenixcontact.se/phoenix/treeViewClick.do?UID=1803442>

Header, Nominal current: 8 A, Nom. voltage: 160 V, Pitch: 3.81 mm,
Number of positions: 4, Color: green, Assembly: Soldering

| Commercial data | |
|--------------------------|--------------------|
| EAN | 4017918045753 |
| Pack | 50 |
| Customs tariff | 85366990 |
| Catalog page information | Page 153 (CC-2007) |

Product notes

WEEE/RoHS-compliant since:
2003-01-01



Please note that the data given here has been taken from the online catalog. For comprehensive information and data, please refer to the user documentation at <http://www.download.phoenixcontact.com>. The General Terms and Conditions of Use apply to Internet downloads.

Technical data

| Dimensions / positions | |
|------------------------|--------------|
| Pitch | 3.81 mm |
| Dimension a | 11.43 mm |
| Number of positions | 4 |
| Pin dimensions | 0,8 x 0,8 mm |
| Hole diameter | 1.2 mm |

Technical data

| | |
|------------------------------------|--------|
| Insulating material group | IIIa |
| Rated surge voltage (III/3) | 2.5 kV |
| Rated surge voltage (III/2) | 2.5 kV |
| Rated surge voltage (II/2) | 2.5 kV |
| Rated voltage (III/2) | 160 V |
| Rated voltage (II/2) | 250 V |
| Connection in acc. with standard | EN-VDE |
| Nominal current I_N | 8 A |
| Nominal voltage U_N | 160 V |
| Maximum load current | 8 A |
| Insulating material | PBT |
| Inflammability class acc. to UL 94 | V0 |

Certificates



Certification

CB, CSA, CUL, GOST, UL, VDE-PZI

CSA

| | |
|-----------------------|-------|
| Nominal voltage U_N | 300 V |
| Nominal current I_N | 8 A |

CUL

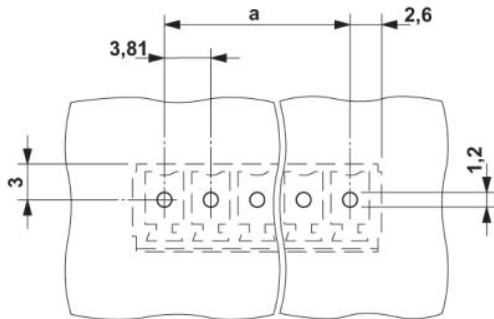
| | |
|-----------------------|-------|
| Nominal voltage U_N | 300 V |
| Nominal current I_N | 8 A |

UL

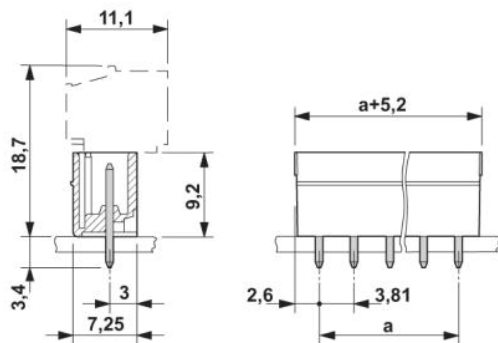
| | |
|-----------------------|-------|
| Nominal voltage U_N | 300 V |
| Nominal current I_N | 8 A |

Drawings

Drilling diagram



Dimensioned drawing



Address

Phoenix Contact AB
Linvägen 2
14144 Huddinge, Sweden
Phone +46 (0)8 - 608 64 00
Fax +46 (0)8 - 608 64 99
<http://www.phoenixcontact.se>

Phoenix Contact Oy
Technical modifications reserved;