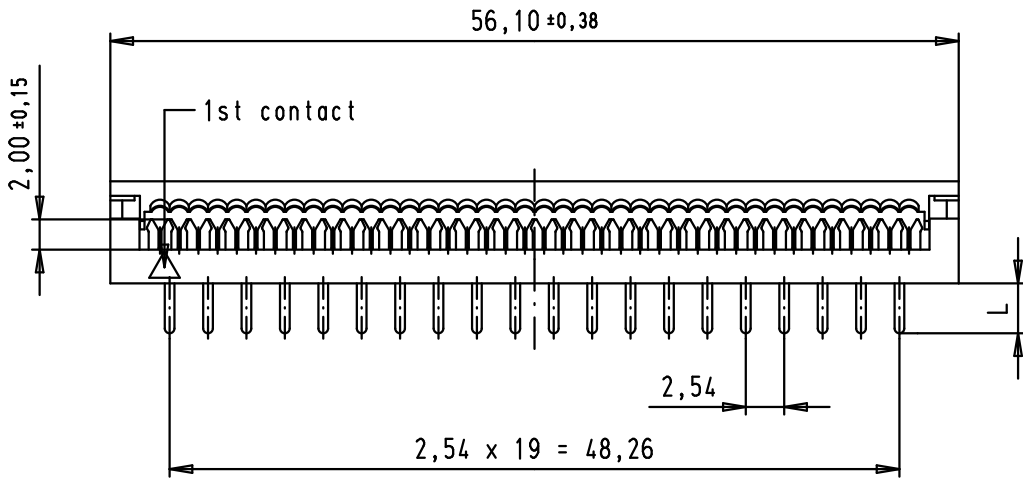
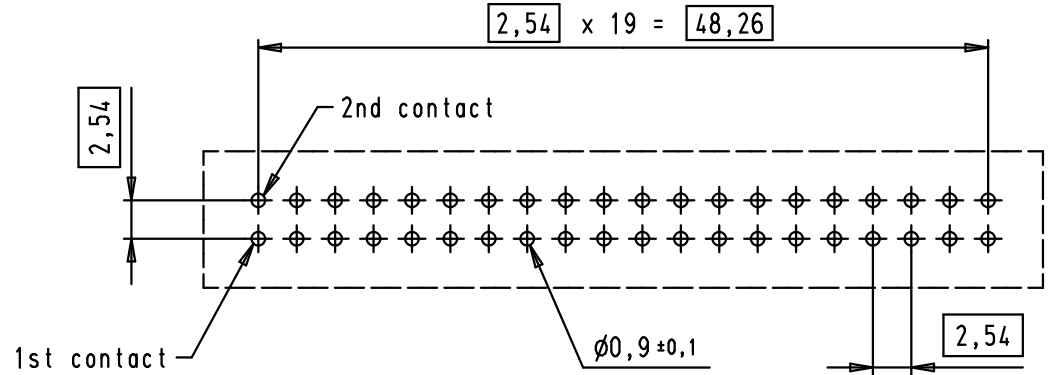
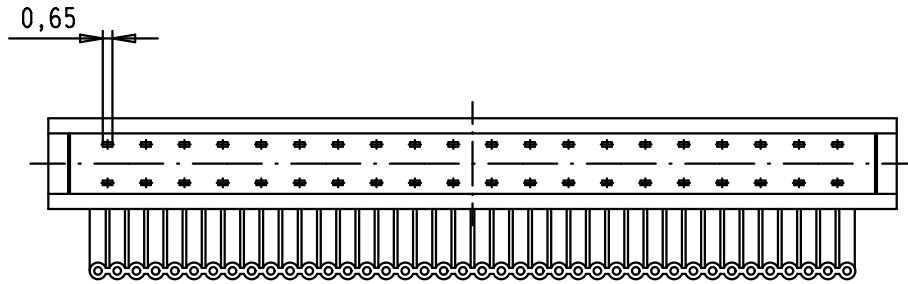
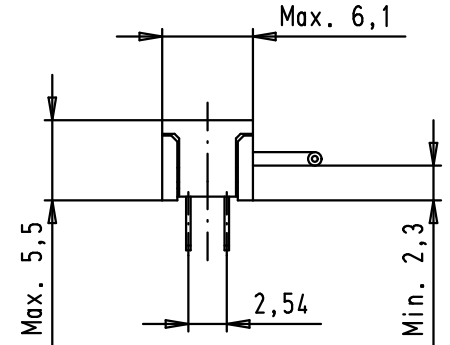
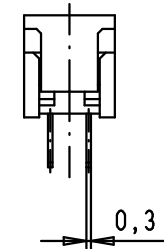


PCB layout, component side



PRE-ASSEMBLED

ASSEMBLED



09 18 140 9622.210	3,0 ⁰ / _{-0,25}	PRE-ASSEMBLED
09 18 140 9622.200	3,3 ± 0,25	NON ASSEMBLED
09 18 140 9622	3,3 ± 0,25	PRE-ASSEMBLED
Part number	L	COVER

					Dat.	Name	<p>All Dim. in mm Orig. Size DIN A 4</p>
				Detail.	02/04/04	JH	
				Insp.			
				Stand.			
34919	30/05/08	PK					
34889	08/04/08	PK					
31884	02/04/04	JH	HARTING EURL F-95972 Paris				
Mod.	Dat.	Name					

SEK 18, low profile, PCB transition, 40 poles, 2 rows		Maßstab/ Scale
		2:1
TB 09 18 140 9622		Blatt/ Page
Sub.		1 / 1