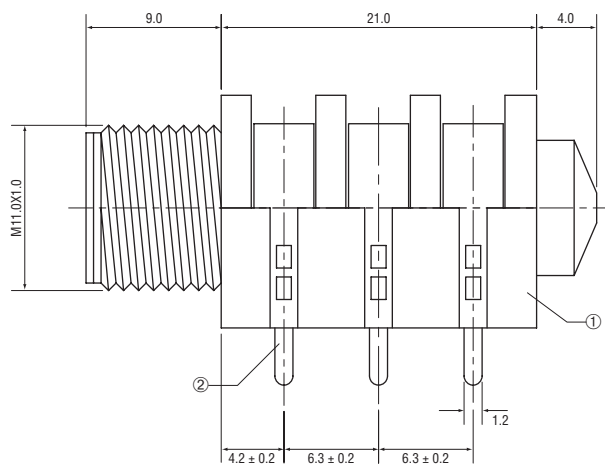
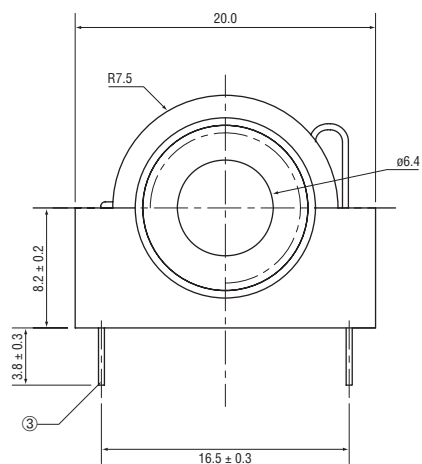


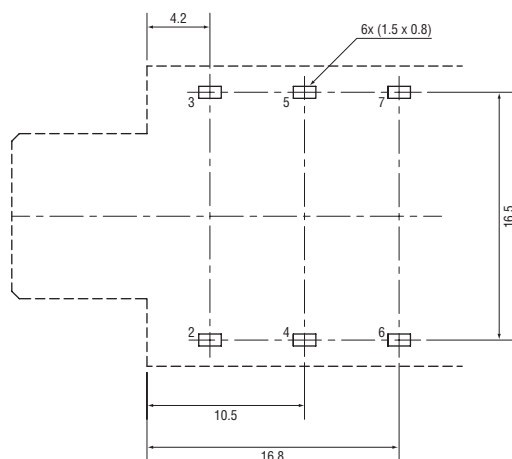
# 6.35mm 3-pole PCB Mounting Standard Jack Socket

Order code: **20-0993**

Number	Description	Quantity	Material	Plating
1	Housing	1	PBT	
2	Spring	3	Phosphor Bronze	Ag-Plating
3	Contact Foot	3	Brass	Ag-Plating



PCB Layout  
Top view



Schematic

