



# SGST DC MICRO MOTORS SRF-500TB SERIES

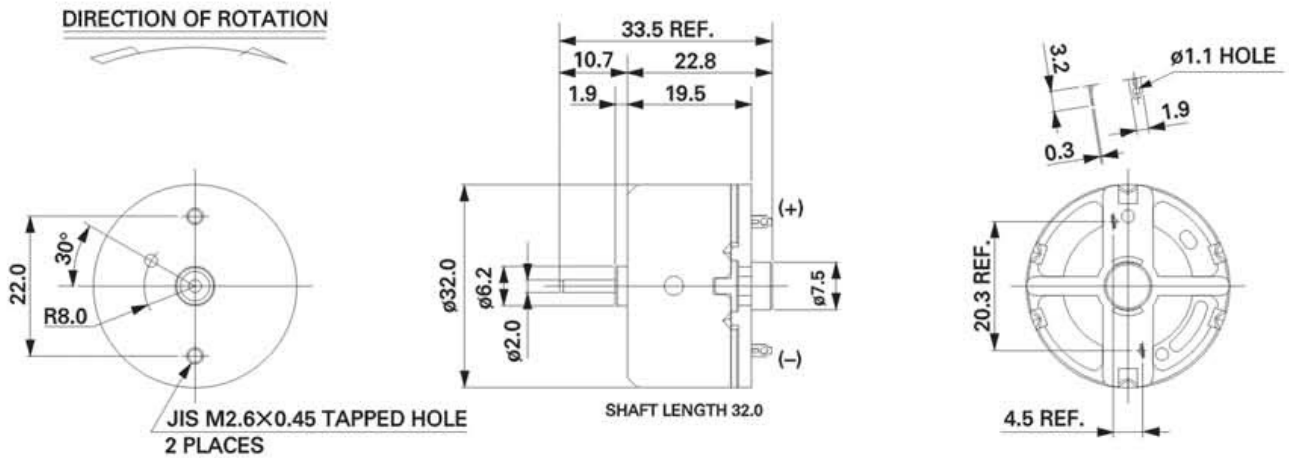


**Precious Metal-Brush Motors / Output: Approx 0.03W~1.5W**  
**Typical Applications:** • CD Player • VCR • Cassette Tape Recorder

## Specifications

MODEL	VOLTAGE		NO LOAD		AT MAXIMUM EFFICIENCY				STALL			
	OPERATING RANGE	NOMINAL	SPEED	CURRENT	SPEED	CURRENT	TORQUE	OUTPUT	TORQUE	CURRENT		
		V	r/min	A	r/min	A	g.cm	mN.m	W	g.cm	mN.m	A
SRF-500TB-14415	9.0V MAX	5.0	3100	0.026	2540	0.12	12.6	1.23	0.33	70	6.86	0.54
SRF-500TB-12560	12.0V MAX	6.0	2700	0.020	2180	0.08	11.6	1.13	0.26	60	5.88	0.35
SRF-500TB-18280	6.0V MAX	3.0	2700	0.030	2230	0.16	12	1.18	0.27	60	5.90	0.70

UNIT: MILLIMETERS



Usable machine screw length 1.5 max. from motor mounting surface.

**WEIGHT: 45g (APPROX)**

