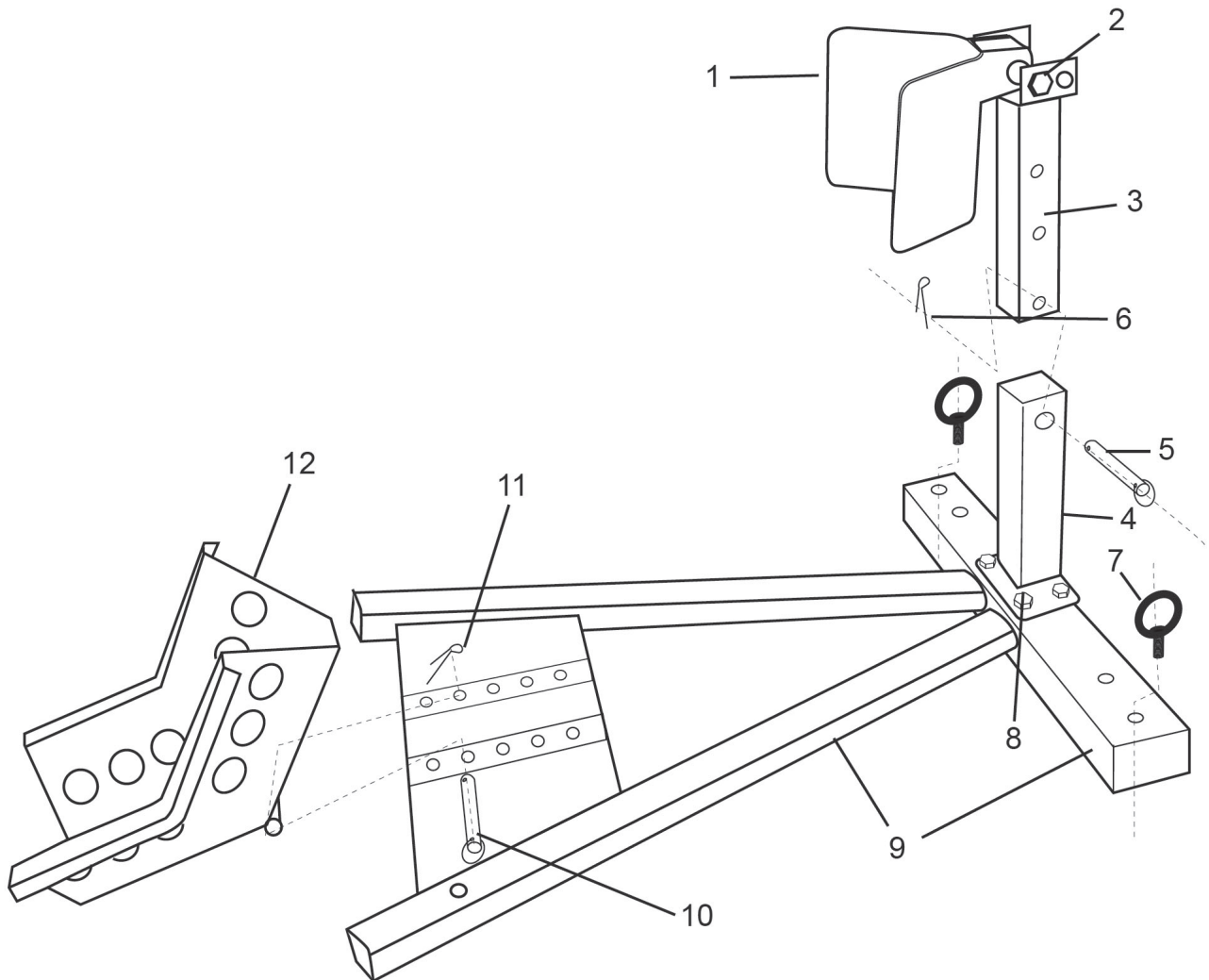




Parts Information:
Motorcycle Heavy-Duty Front Wheel Chock
Model No: FPS7.V2



Item	Part No.	Description
1	FPS7V2-01	Upper Clamp
2	HHB10110.S	Hex Head Bolt M10x110mm Single
3	FPS7V2-03	Upright Post , Upper
4	FPS7V2-04	Upright Post , Lower
5	FPS7V2-05	Connection Pin 11.5x68mm
6	FPS7V2-06	R-Pin for Connection Pin
7	FPS7V2-07	Threaded Eye Bolt

Item	Part No.	Description
8	SS815.S	Hex Head Set Screw M8x15mm Single
--	SWM8.S	Spring Washer M8 Zinc (Single)
9	FPS7V2-09	Base
10	FPS7V2-10	Pivot Clamp Pin 11.5x123mm
11	FPS7V2-11	R-Clip For Pivot Clamp
12	FPS7V2-12	Pivot Clamp

NOTE: It is our policy to continually improve products and as such we reserve the right to alter data, specifications and component parts without prior notice.

IMPORTANT: No liability is accepted for incorrect use of product.

WARRANTY: Guarantee is 12 months from purchase date, proof of which will be required for any claim.

Sealey Group, Kempson Way, Suffolk Business Park, Bury St Edmunds, Suffolk. IP32 7AR



01284 757500



01284 703534



sales@sealey.co.uk



www.sealey.co.uk