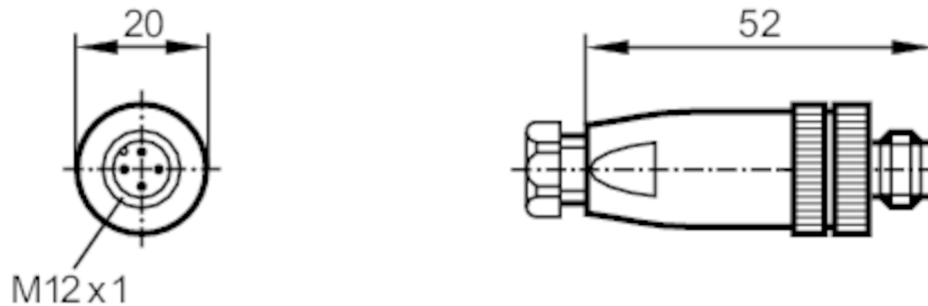


# E11770



## Wirable plug

SSTGH050MSSFKPG



### Application

Special feature	Free from silicone; Gold-plated contacts
Free from silicone	yes

### Electrical data

Operating voltage [V]	< 125 AC/DC
Max. current load total [A]	4; (...40 °C)

### Operating conditions

Ambient temperature [°C]	-25...100
Protection	IP 68

### Mechanical data

Weight [g]	26.5
Dimensions [mm]	20 x 20 x 52
Materials	PA
Material nut	brass, nickel-plated

### Remarks

Pack quantity	1 pcs.
---------------	--------

### Electrical connection

screw terminals: ...0.75 mm<sup>2</sup>; Cable sheath: Ø 6...8 mm

### Electrical connection - plug

Connector: 1 x M12, straight; Moulded body: PA; Locking: brass, nickel-plated; Contacts: gold-plated

# E11770

## Wirable plug

SSTGH050MSSFKPG



### Connection

