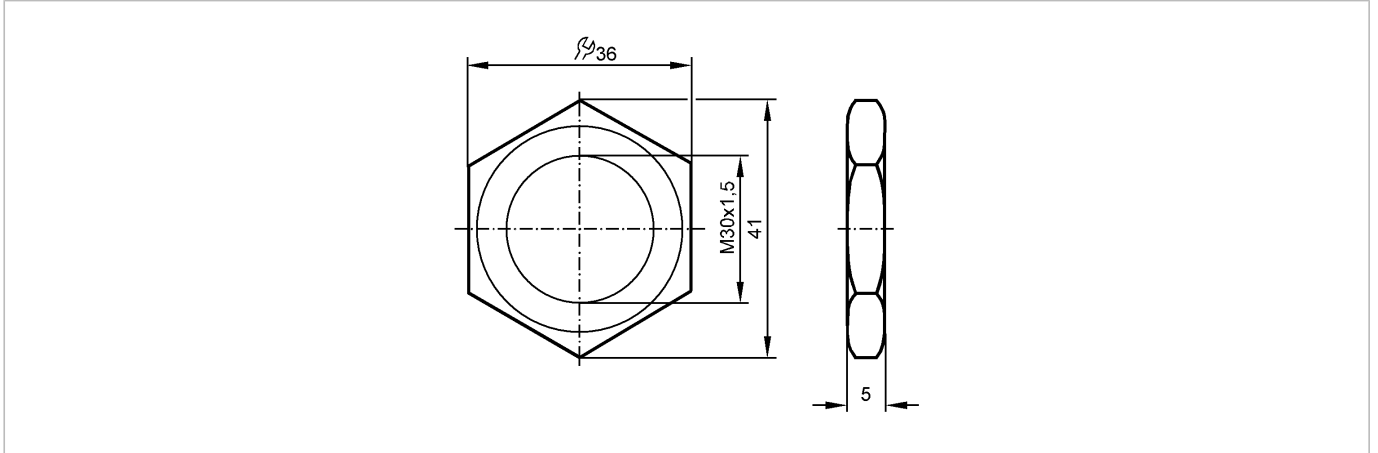




NUT M30 CUZN 10PCS.

Accessories



Product characteristics

Lock nuts metal

M30 x 1.5

Mechanical data

Housing materials

Brass nickel-plated

Weight

[kg]

0.174

Remarks

Pack quantity

[piece]

10