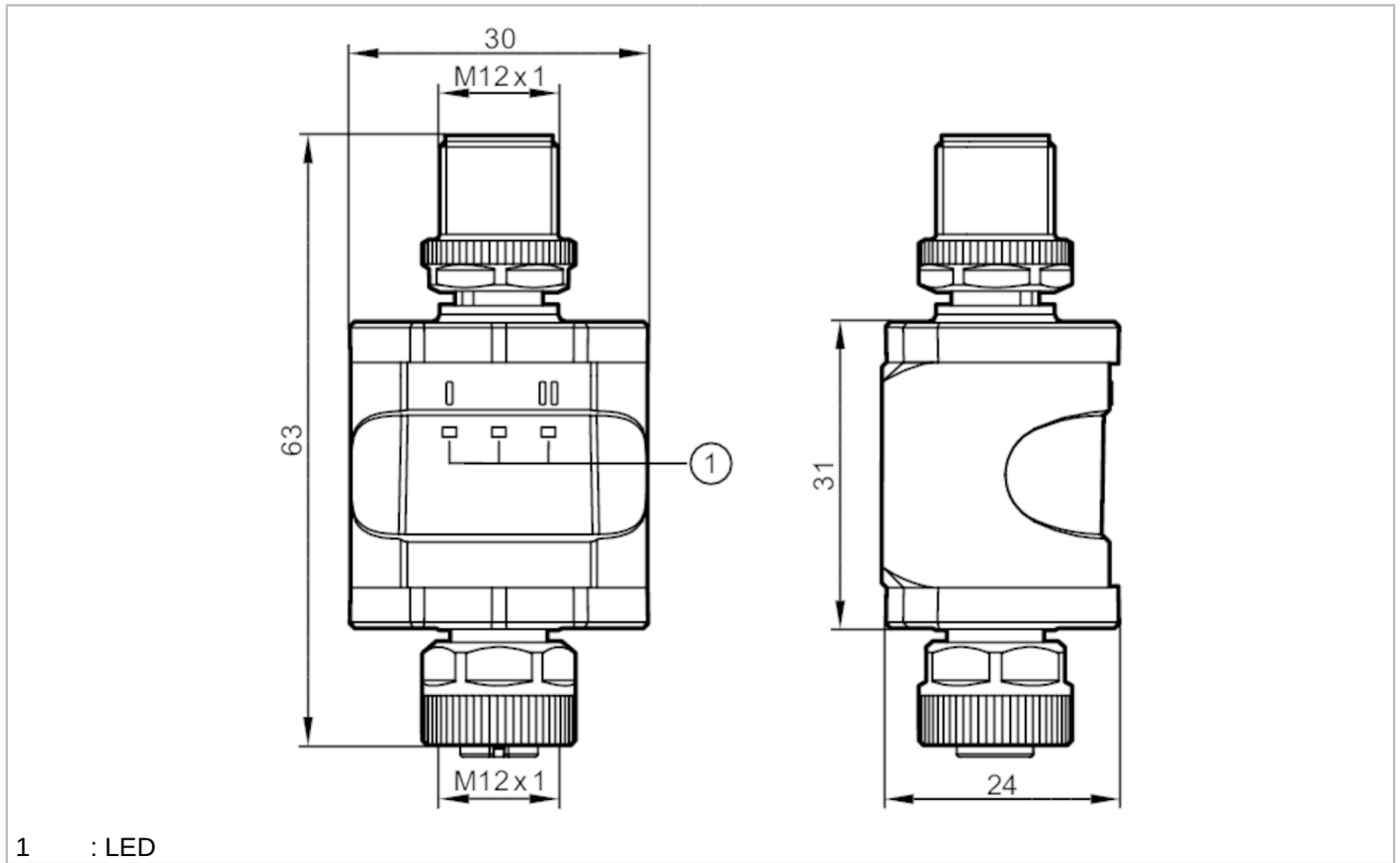


E43410



IO-Link data splitter

IO-LINK DATA SPLITTER NPN



Product characteristics

Output signal	switching signal; IO-Link
---------------	---------------------------

Application

Special feature	Gold-plated contacts
Application	for retrofitting of existing IO-Link systems; for systems without IO-Link capabilities

Electrical data

Operating voltage [V]	18...30 DC; (on the master side; on the controller / system: 20...30 DC)
Current consumption [mA]	< 17; (both sides)
Protection class	III
Reverse polarity protection	yes; (on the master side)
Power-on delay time [s]	< 2; (for communication; response time switching signal: response time device plus IO-Link process cycle time)

Inputs / outputs

Total number of inputs and outputs	1; (on the controller / system)
Number of inputs and outputs	Number of digital outputs: 1



IO-Link data splitter

IO-LINK DATA SPLITTER NPN

Outputs		
Output signal	switching signal; IO-Link	
Electrical design	NPN	
Number of digital outputs	1	
Output function	normally open / normally closed	
Max. voltage drop switching output DC [V]	2.5	
Permanent current rating of switching output DC [mA]	200	
Type of short-circuit protection	pulsed	
Short-circuit proof	yes	
Overload protection	yes	
Interfaces		
Communication interface	IO-Link	
IO-Link Device		
Unterstützte Masterportklasse	A	
Transmission type	COM2 (38,4 kBaud)	
IO-Link revision	1.1	
SDCI standard	IEC 61131-9	
IO-Link device ID	0x000453	
Profiles	Identification and Diagnosis (0x4000)	
SIO mode	yes	
Min. process cycle time [ms]	4.2	
IO-Link Master		
Unterstützte Masterportklasse	A / B	
Transmission type	COM1 (4,8 kBaud) / COM2 (38,4 kBaud) / COM3 (230,4 kBaud)	
IO-Link revision	1.0 / 1.1	
SDCI standard	IEC 61131-9	
Operating conditions		
Ambient temperature [°C]	-25...60	
Storage temperature [°C]	-25...70	
Protection	IP 67	
Tests / approvals		
EMC	DIN EN 61000-6-2	
	DIN EN 61000-6-4	in plastic or open metal tanks
Shock resistance	DIN EN 60068-2-27	15 g (6 ms)
Vibration resistance	DIN EN 60068-2-6	2 g (10...150 Hz)
MTTF [years]	307	
Mechanical data		
Weight [g]	89	
Materials	stainless steel (1.4404 / 316L); brass (2.0401); PBT; PA; Sealing: FKM;	

E43410



IO-Link data splitter

IO-LINK DATA SPLITTER NPN

Displays / operating elements

Display	switching output	1 x LED, yellow
	operation	1 x LED, green
	IO-Link	1 x LED, yellow

Accessories

Accessory required						EVC843
--------------------	--	--	--	--	--	--------

Remarks

Remarks	For information on the maximum cable length please refer to the operating instructions. To ensure the function according to technical datasheet and operating instructions the use of the following article is imperative: EVC843
Pack quantity	1 pcs.

Electrical connection

Electrical connection - plug

- 1 L+
- 2 NC
- 3 L-
- 4 C: IO-Link

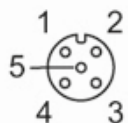
Connector: 1 x M12; Contacts: gold-plated



Electrical connection - socket

- 1 L+
- 2 C/Q: IO-Link Master
- 3 L-
- 4 OUT1: switching output or IO-Link
- 5 NC

Connector: 1 x M12; Contacts: gold-plated



E43410



IO-Link data splitter

IO-LINK DATA SPLITTER NPN

Electrical connection

Connection

