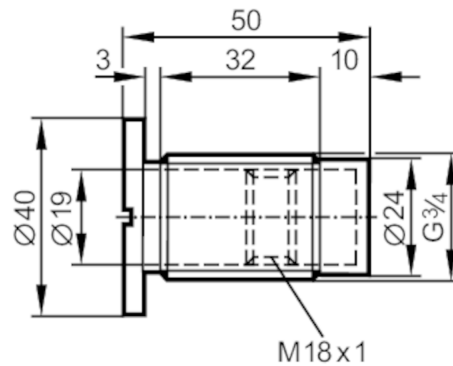


E43900



Mounting adapter for capacitive sensors

MOUNTING ADAPTER G3/4",POM



Application

Pressure rating [bar] 8

Operating conditions

Ambient temperature [°C] -25...80

Mechanical data

Weight [g] 22

Materials Adapter: POM

Tightening torque [Nm] 5

Sensor connection threaded connection M18 x 1 internal thread

Process connection G 3/4 external thread

Length [mm] 50

Remarks

Pack quantity 1 pcs.