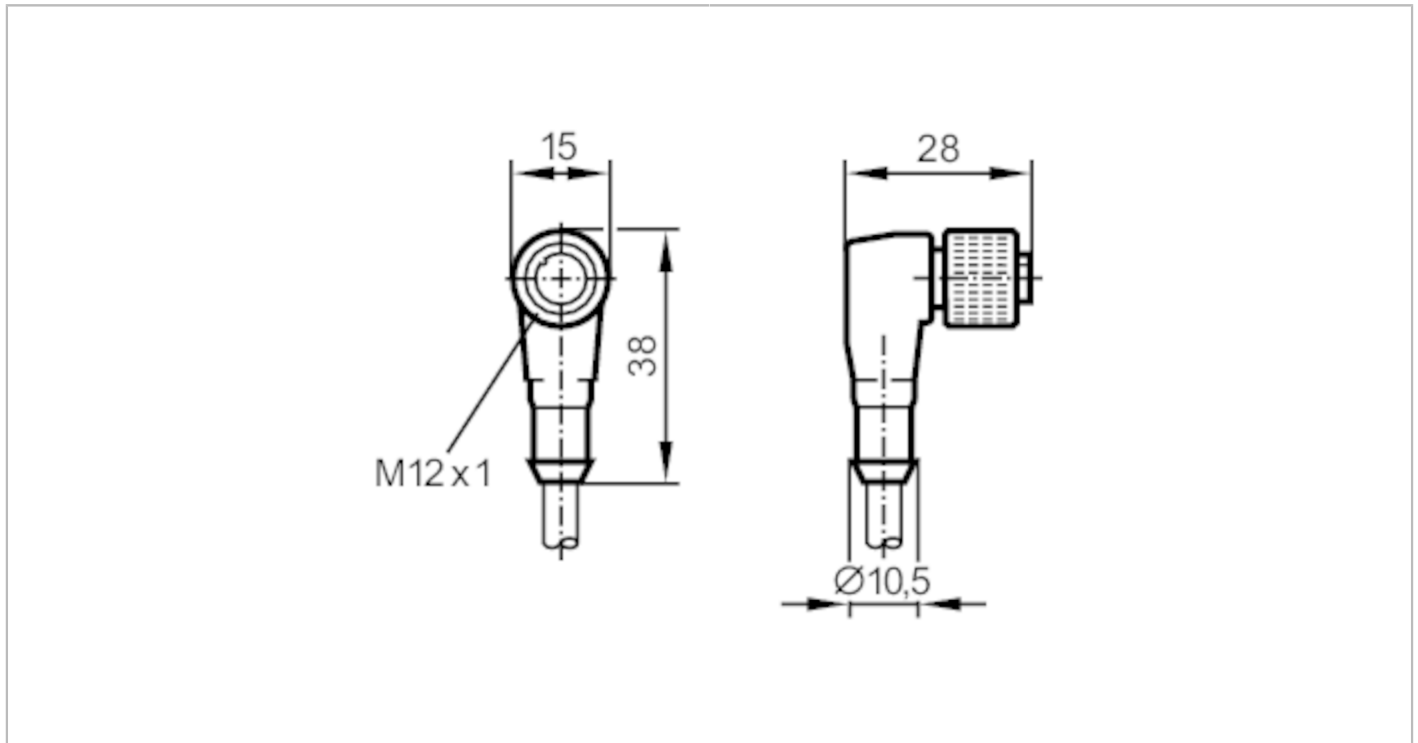


# E80022



## Connecting cable with socket

ADOAH080MSS0002K08



Application	
Special feature	Screened cable
Electrical data	
Operating voltage [V]	< 30 AC / < 36 DC
Protection class	III
Max. current load total [A]	2
Operating conditions	
Ambient temperature [°C]	-25...90
Protection	IP 67
Mechanical data	
Weight [g]	148.5
Dimensions [mm]	28 x 15 x 38
Materials	TPU
Material nut	brass, nickel-plated
Remarks	
Notes	For 8-pole sockets the core colours are not standardised.; Please note the wiring of the sensor and the sockets (see data sheet).
Pack quantity	1 pcs.

### Electrical connection

Cable: 2 m, PUR, black, shielded; 8 x 0.25 mm<sup>2</sup> (14 x Ø 0.15 mm )

### Electrical connection - socket

Connector: 1 x M12, angled; Moulded body: TPU; Locking: brass, nickel-plated; Tightening torque: 1...1.5 Nm; Shielded connection cable: screen connected

# E80022



## Connecting cable with socket

ADOAH080MSS0002K08



### Connection



colours to DIN  
47100

Core colours :

BN =	brown
BU =	blue
GN =	green
GY =	grey
PK =	pink
RD =	red
WH =	white
YE =	yellow
screen =	screen