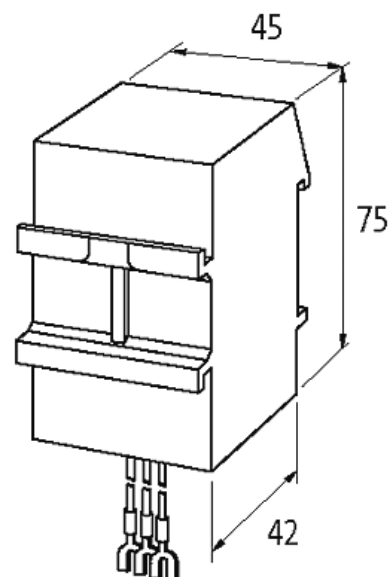


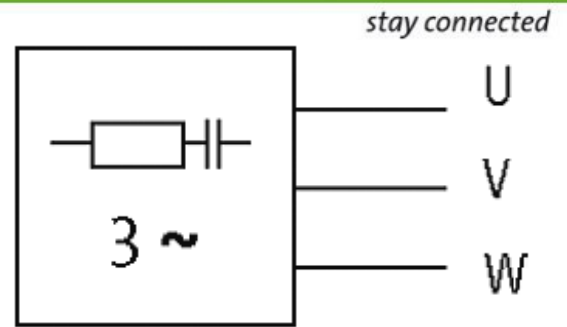
MOTOR SUPPRESSOR

RC, 3x400VAC/4kW

3 × 400 V AC
RC
with ferrule ends

Suppressors for other voltages, frequencies, and motor ratings available on request. Do not use RC motor suppressors with frequency inverters. with ferrule ends

[Link to Product](#)**Illustration**



RC

Product may differ from Image

Approvals



Technical Data

| | |
|------------------|---|
| Material | Flame retardant plastic acc. to (UL 94) |
| Potting compound | 2-component epoxy |
| Frequency | 50...60 Hz |

General data

| | |
|----------------------|--|
| Dimensions H × W × D | 75×45×42 mm |
| Temperature range | -20...+60 °C |
| Connection | approx. 250 mm, single cores 0.5 mm ² , with ferrule ends |

Commercial data

| | |
|------------------------|----------|
| country of origin | CZ |
| customs tariff number | 85363010 |
| minimum order quantity | 1 |