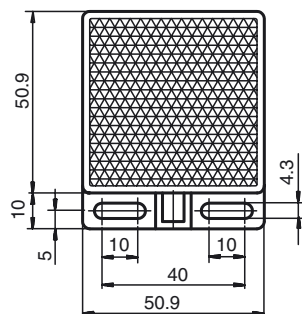


Dimensions



T = 8.5

Model Number

REF-MH50

Reflector with Micro-structure, rectangular 50.9 mm x 50.9 mm, mounting holes, fixing strap

Features

- Mounting holes for simple installation
- Micro-structure

Technical data

General specifications

Construction type	rectangular
Tripel height	approx. 0.9 mm

Ambient conditions

Ambient temperature	-20 ... 85 °C (-4 ... 185 °F)
---------------------	-------------------------------

Mechanical specifications

Material	PMMA/ABS
Dimensions	50.9 mm x 50.9 mm x 8.5 mm
Mounting	mounting holes