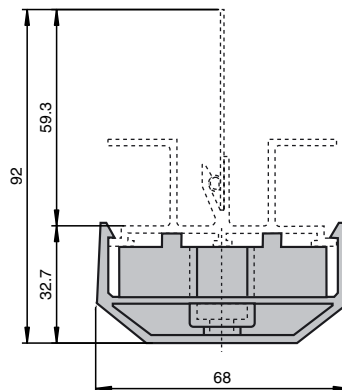




Dimensions



Model number

WCS2-MH

Profile rail bracket, aluminum profile system WCS2

Features

- Profile rail simply snap-on

Matching system components

WCS2-PS1

WCS2 profile rail

WCS2-PS1-C

WCS2 profile rail, coated

Technical data

Mechanical specifications

Material	Polyamide (PA)
Mass	20 g

Rail holders, into which the profile rail is clipped, are available for rapid installation of the aluminium profile rail. The rail holders are available in three different versions.

The screw-on holder WCSx-MH1 is bolted to the substructure, the holder for fitting in a C profile WCSx-MH2 is designed for installation in a C profile rail (30 mm x 32 mm). The holder WCSx-MH comes without any mounting elements.