



Figure similar

REVERSING COMB., AC3:30KW/400V, 110V AC
50HZ/120V 60HZ, 3-POLE, SIZE S2 SCREW
CONNECTION ELECTR. AND MECH. INTERLOCK
2NO INTEGR.

| | |
|---|--|
| product brand name | SIRIUS |
| Product designation | reversing contactor assembly 3RA23 |
| Manufacturer article number | |
| <ul style="list-style-type: none"> • 1 of the supplied contactor • 2 of the supplied contactor • of the supplied RS assembly kit | 3RT2037-1AK60 3RT2037-1AK60 3RA2934-2BB1 |

General technical data:

| | | |
|--|----|--------------------------|
| Insulation voltage | | |
| <ul style="list-style-type: none"> • with degree of pollution 3 Rated value | V | 690 |
| Degree of pollution | | 3 |
| Surge voltage resistance Rated value | kV | 6 |
| Mechanical service life (switching cycles) | | |
| <ul style="list-style-type: none"> • of the contactor typical • of the contactor with added auxiliary switch block typical | | 10 000 000 10 000 000 |
| Protection class IP | | |
| <ul style="list-style-type: none"> • on the front | | IP20 |
| Equipment marking | | |
| <ul style="list-style-type: none"> • acc. to DIN EN 81346-2 | | Q |

Main circuit:

| | | |
|---|---|-----|
| Number of poles for main current circuit | | 3 |
| Number of NC contacts for main contacts | | 0 |
| Number of NO contacts for main contacts | | 3 |
| Operating voltage | | |
| <ul style="list-style-type: none"> • at AC-3 Rated value maximum | V | 690 |

| | | |
|--|-----|-------|
| Operating current | | |
| <ul style="list-style-type: none"> • at AC-1 <ul style="list-style-type: none"> — at 400 V at ambient temperature 40 °C Rated value — at 400 V at ambient temperature 60 °C Rated value • at AC-2 at 400 V Rated value • at AC-3 <ul style="list-style-type: none"> — at 400 V Rated value • at AC-4 at 400 V Rated value | A | 80 |
| | A | 70 |
| | A | 65 |
| | A | 65 |
| | A | 55 |
| Operating current with 1 current path | | |
| <ul style="list-style-type: none"> • at DC-1 <ul style="list-style-type: none"> — at 24 V Rated value — at 110 V Rated value • at DC-3 at DC-5 <ul style="list-style-type: none"> — at 24 V Rated value — at 110 V Rated value | A | 55 |
| | A | 4.5 |
| | A | 35 |
| | A | 2.5 |
| Operating current with 2 current paths in series | | |
| <ul style="list-style-type: none"> • at DC-1 <ul style="list-style-type: none"> — at 24 V Rated value — at 110 V Rated value • at DC-3 at DC-5 <ul style="list-style-type: none"> — at 110 V Rated value — at 24 V Rated value | A | 55 |
| | A | 25 |
| | A | 25 |
| | A | 55 |
| Operating current with 3 current paths in series | | |
| <ul style="list-style-type: none"> • at DC-1 <ul style="list-style-type: none"> — at 24 V Rated value — at 110 V Rated value • at DC-3 at DC-5 <ul style="list-style-type: none"> — at 110 V Rated value — at 24 V Rated value | A | 55 |
| | A | 55 |
| | A | 55 |
| | A | 55 |
| Operating power | | |
| <ul style="list-style-type: none"> • at AC-2 at 400 V Rated value • at AC-4 at 400 V Rated value | kW | 30 |
| | kW | 30 |
| Operating power | | |
| <ul style="list-style-type: none"> • at AC-3 <ul style="list-style-type: none"> — at 400 V Rated value — at 690 V Rated value | kW | 30 |
| | kW | 30 |
| Operating frequency | | |
| <ul style="list-style-type: none"> • at AC-3 maximum | 1/h | 700 |
| No-load switching frequency | | |
| | 1/h | 1 500 |

Control circuit/ Control:

| | | |
|---|---|-------------|
| Type of voltage of the control supply voltage | | AC |
| Control supply voltage 1 with AC | | |
| <ul style="list-style-type: none"> • at 50 Hz Rated value | V | 110 |
| <ul style="list-style-type: none"> • at 60 Hz Rated value | V | 120 |
| Operating range factor control supply voltage rated value of the magnet coil with AC | | |
| <ul style="list-style-type: none"> • at 50 Hz | | 0.8 ... 1.1 |
| <ul style="list-style-type: none"> • at 60 Hz | | 0.8 ... 1.1 |

Auxiliary circuit:

| | | |
|---|------------------|--|
| Number of NC contacts | | |
| <ul style="list-style-type: none"> • for auxiliary contacts <ul style="list-style-type: none"> — per direction of rotation — instantaneous contact — lagging switching | | 0 0 0 |
| Number of NO contacts | | |
| <ul style="list-style-type: none"> • for auxiliary contacts <ul style="list-style-type: none"> — per direction of rotation — instantaneous contact — leading contact | | 0 0 0 |
| Product expansion Auxiliary switch | | Yes |
| Operating current of the auxiliary contacts at AC-12 maximum | A | 10 |
| Operating current of the auxiliary contacts at AC-15 | | |
| <ul style="list-style-type: none"> • at 230 V | A | 6 |
| <ul style="list-style-type: none"> • at 400 V | A | 3 |
| Operating current of the auxiliary contacts at DC-13 | | |
| <ul style="list-style-type: none"> • at 24 V • at 60 V • at 110 V • at 220 V | A A A A | 10 2 1 0.3 |
| Contact reliability of the auxiliary contacts | | < 1 error per 100 million operating cycles |

UL/CSA ratings:

| | | |
|--|-----------|----|
| Full-load current (FLA) for three-phase AC motor | | |
| <ul style="list-style-type: none"> • at 480 V Rated value | A | 65 |
| <ul style="list-style-type: none"> • at 600 V Rated value | A | 62 |
| yielded mechanical performance [hp] | | |
| <ul style="list-style-type: none"> • for single-phase AC motor at 110/120 V Rated value | metric hp | 5 |
| <ul style="list-style-type: none"> • for single-phase AC motor at 230 V Rated value | metric hp | 10 |

| | | |
|---|-----------|-------------|
| <ul style="list-style-type: none"> • for three-phase AC motor at 220/230 V Rated value | metric hp | 20 |
| <ul style="list-style-type: none"> • for three-phase AC motor at 460/480 V Rated value | metric hp | 50 |
| <ul style="list-style-type: none"> • for three-phase AC motor at 575/600 V Rated value | metric hp | 50 |
| Contact rating of the auxiliary contacts acc. to UL | | A600 / Q600 |

Short-circuit:

| | | |
|---|--|--|
| Design of the fuse link | | |
| <ul style="list-style-type: none"> • for short-circuit protection of the main circuit <ul style="list-style-type: none"> — with type of assignment 1 required — with type of assignment 2 required • for short-circuit protection of the auxiliary switch required | | gL/gG NH 3NA, DIAZED 5SB, NEOZED 5SE: 250 A gL/gG NH 3NA, DIAZED 5SB, NEOZED 5SE: 125 A fuse gL/gG: 10 A |

Installation/ mounting/ dimensions:

| | | |
|--|----|--|
| mounting position | | +/-180° rotation possible on vertical mounting surface; can be tilted forward and backward by +/- 22.5° on vertical mounting surface |
| Mounting type | | screw and snap-on mounting onto 35 mm standard mounting rail |
| Height | mm | 141 |
| Width | mm | 120 |
| Depth | mm | 130 |
| Required spacing | | |
| <ul style="list-style-type: none"> • with side-by-side mounting <ul style="list-style-type: none"> — forwards — Backwards — upwards — downwards — at the side • for grounded parts <ul style="list-style-type: none"> — forwards — Backwards — upwards — at the side — downwards • for live parts <ul style="list-style-type: none"> — forwards — Backwards — upwards — downwards — at the side | mm | 10 0 10 10 10 10 0 10 10 10 10 0 10 10 10 |

Connections/ Terminals:

| | | |
|--|------------|--|
| Type of electrical connection | | |
| <ul style="list-style-type: none"> • for main current circuit • for auxiliary and control current circuit | | screw-type terminals screw-type terminals |
| Type of connectable conductor cross-section | | |
| <ul style="list-style-type: none"> • for main contacts <ul style="list-style-type: none"> — single or multi-stranded — finely stranded with core end processing • for AWG conductors for main contacts • for auxiliary contacts <ul style="list-style-type: none"> — single or multi-stranded — finely stranded with core end processing • for AWG conductors for auxiliary contacts | | 2x (1 ... 35 mm ²), 1x (1 ... 50 mm ²) 2x (1 ... 25 mm ²), 1x (1 ... 35 mm ²) 2x (18 ... 2), 1x (18 ... 1) 2x (0,5 ... 1,5 mm ²), 2x (0,75 ... 2,5 mm ²) 2x (0.5 ... 1.5 mm ²), 2x (0.75 ... 2.5 mm ²) 2x (20 ... 16), 2x (18 ... 14) |
| Apparent pick-up power of the magnet coil with AC | | |
| <ul style="list-style-type: none"> • at 50 Hz • at 60 Hz | V·A V·A | 212 188 |

Safety related data:

| | | |
|---|--------|--|
| B10 value with high demand rate acc. to SN 31920 | | 1 000 000 |
| Proportion of dangerous failures | | |
| <ul style="list-style-type: none"> • with low demand rate acc. to SN 31920 • with high demand rate acc. to SN 31920 | % % | 40 73 |
| Failure rate [FIT] with low demand rate acc. to SN 31920 | FIT | 100 |
| T1 value for proof test interval or service life acc. to IEC 61508 | y | 20 |
| Protection against electrical shock | | finger-safe when touched vertically from front acc. to IEC 60529 |

Mechanical data:

| | | |
|--------------------------|--|----|
| Size of contactor | | S2 |
|--------------------------|--|----|

Communication/ Protocol:

| | | |
|---|--|----|
| Product function Bus communication | | No |
| Protocol is supported | | |
| <ul style="list-style-type: none"> • AS-interface protocol | | No |
| Product function Control circuit interface with IO link | | No |

Ambient conditions:

| | | |
|--|----------|----------------------------|
| Installation altitude at height above sea level maximum | m | 2 000 |
| Ambient temperature | | |
| <ul style="list-style-type: none"> • during operation • during storage | °C °C | -25 ... +60 -55 ... +80 |

Certificates/ approvals:

| | | |
|--------------------------|---------------------------|-------|
| General Product Approval | Declaration of Conformity | other |
|--------------------------|---------------------------|-------|



[Environmental Confirmations](#)

Further information

Information- and Downloadcenter (Catalogs, Brochures,...)

<http://www.siemens.com/industrial-controls/catalogs>

Industry Mall (Online ordering system)

<http://www.siemens.com/industrymall>

Cax online generator

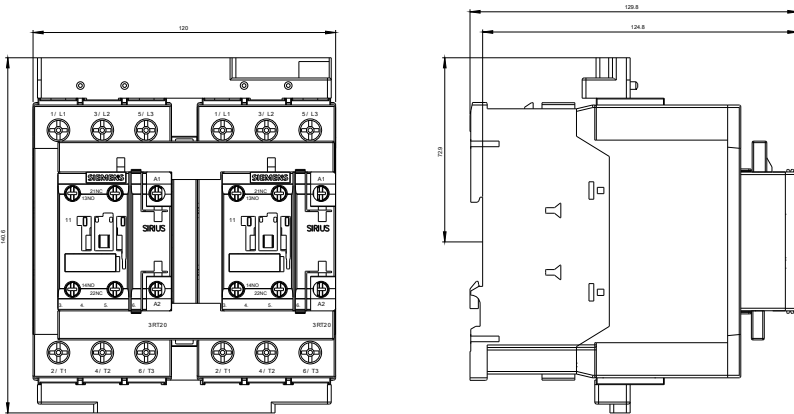
<http://support.automation.siemens.com/WW/CAXorder/default.aspx?lang=en&mlfb=3RA23378XB301AK6>

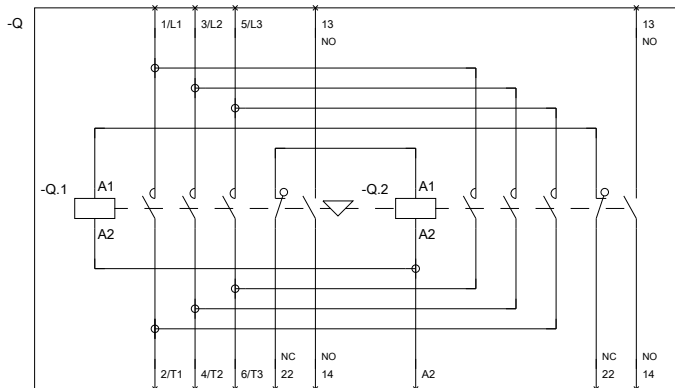
Service&Support (Manuals, Certificates, Characteristics, FAQs,...)

<http://support.automation.siemens.com/WW/view/en/3RA23378XB301AK6/all>

Image database (product images, 2D dimension drawings, 3D models, device circuit diagrams, EPLAN macros, ...)

http://www.automation.siemens.com/bilddb/cax_de.aspx?mlfb=3RA23378XB301AK6&lang=en





last modified:

11.03.2015