

REAR INSULATING PLATE EXTENDED 3 POLE 1 PCS.
ACCESSORY FOR: 3VA6 150/250 3VA5 250



| Model | |
|---------------------|-------------|
| Product brand name | SETRON |
| Product designation | accessories |

| Certificates | | | |
|--------------------------|-----|---------------------------|-------|
| General Product Approval | EMC | Declaration of Conformity | other |



[Miscellaneous](#)

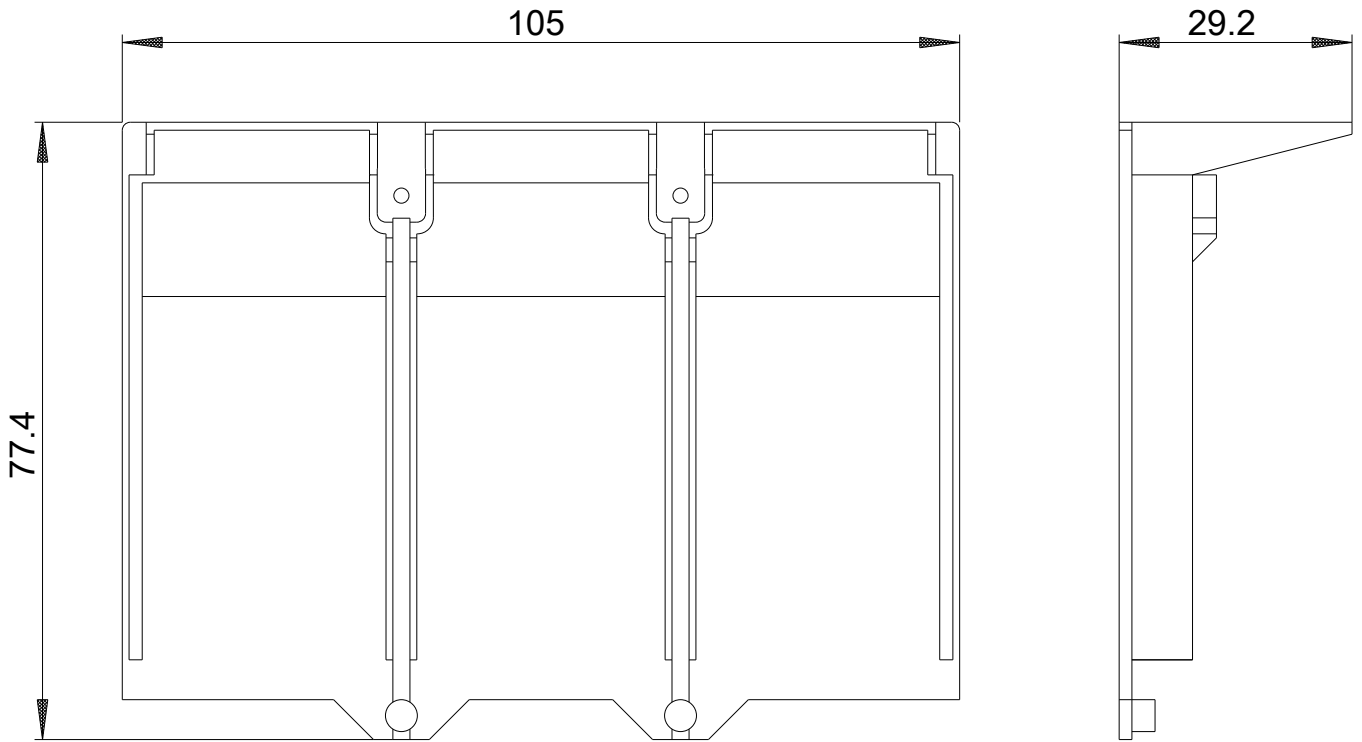
Further information

Information- and Downloadcenter (Catalogs, Brochures,...)
<http://www.siemens.com/lowvoltage/catalogs>

Industry Mall (Online ordering system)
<https://mall.industry.siemens.com/mall/en/en/Catalog/product?mfb=3VA9271-0WJ30>

Service&Support (Manuals, Certificates, Characteristics, FAQs,...)
<https://support.industry.siemens.com/cs/ww/en/ps/3VA9271-0WJ30>

Image database (product images, 2D dimension drawings, 3D models, device circuit diagrams, ...)
http://www.automation.siemens.com/bilddb/cax_en.aspx?mfb=3VA9271-0WJ30



last modified:

08/28/2017