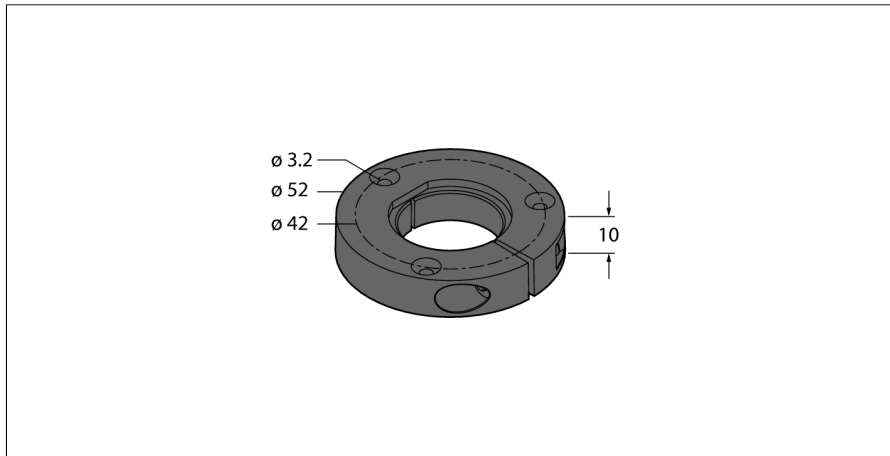


Positioning element
For inductive encoders Ri-QR24
PE1-EQR24



- Base unit for positioning element
- Fitting in stainless steel

Type designation	PE1-EQR24
Ident no.	1590966

Housing material	Plastic
-------------------------	---------