

Eccentric Clamping Clamps

23270.0108



Product Description

These clamps have a high clamping force for low clamping heights. The body from brass provides a gentle but safe clamping.

Material

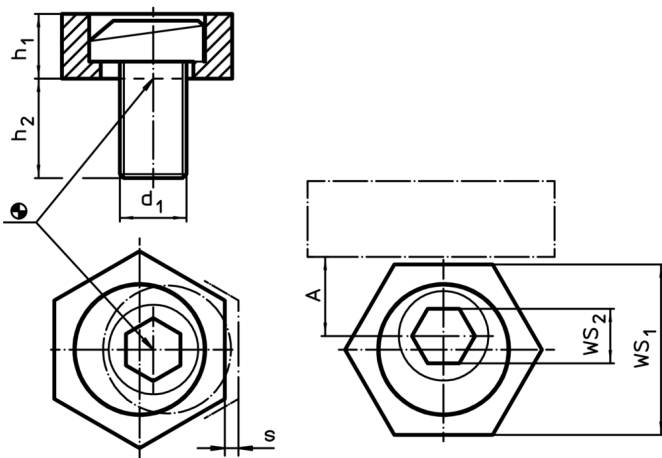
Eccentric screw

- steel

Body

- Brass

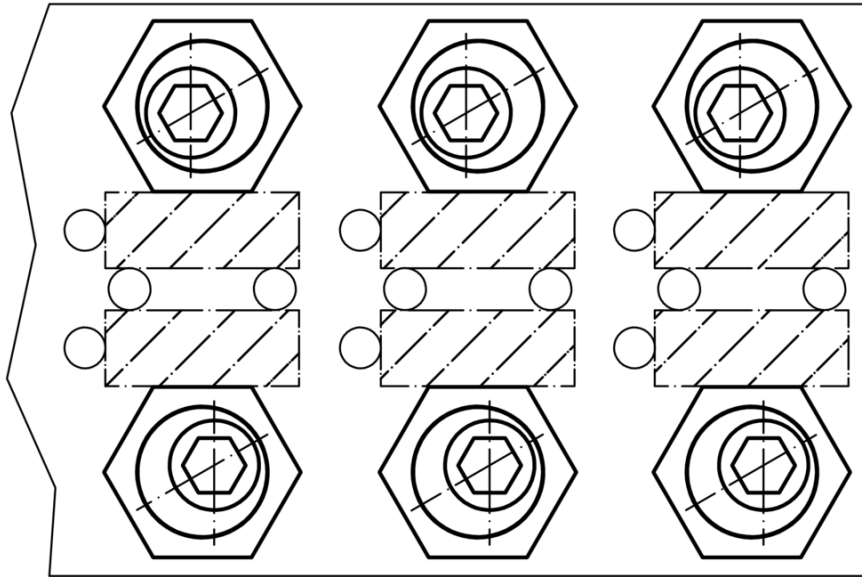
Drawing



Order information

d ₁	Dimensions			A	WS ₁	WS ₂	Clamping force max.	Tightening torque max.	g	Art. No.
	h ₁	h ₂	s							
[mm]										
M8	4.8	15	1	10.2	20.6	5	3.6	18	20	23270.0108

Application example



Compliance

RoHS compliant

Compliant according to Directive 2011/65/EU and Directive 2015/863

Does not contain SVHC substances

No SVHC substances with more than 0.1% w/w contained - SVHC list [REACH] as of 10.06.2022

Does not contain Proposition 65 substances

No Proposition 65 substances included

<https://www.P65Warnings.ca.gov/>

Free from Conflict Minerals

This product does not contain any substances designated as "conflict minerals" such as tantalum, tin, gold or tungsten from the Democratic Republic of Congo or adjacent countries.