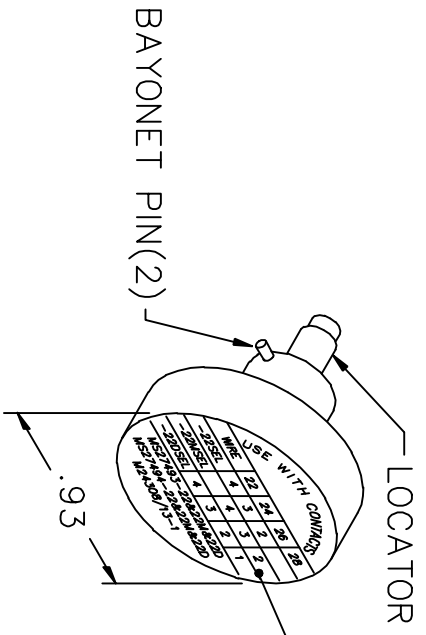
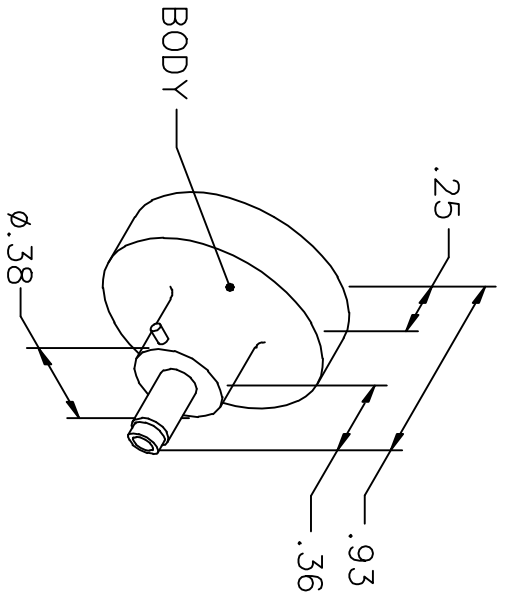


REVISIONS				
REV. SYM.	E.C.O. NUMBER	DESCRIPTION	BY DATE	APP'D DATE
4		ADDED MIL NUMBER TO DWG	KDH 5/26/10	RRR 5/26/10

**UNCONTROLLED DOCUMENT  
WILL NOT BE UPDATED**



USE WITH CONTACTS

WIRE	22	24	26	28
-22SEL	4	3	2	
-22MSEL		4	3	2
-22DSEL	4	3	2	1

MS27493-22&22M&22D  
MS27494-22&22M&22D  
M24308/13-1

NOTE: FOR USE WITH DANIELS CRIMP TOOLS  
ACCOMMODATING "K" SERIES POSITIONERS

LOCATOR	
HOLE DIMENSIONS	ADDITIONAL FEATURES
∅.033 ∇.58 MIN.	└┘ ∅.078 ∇.155

**RESTRICTED & CONFIDENTIAL**

CONFIDENTIAL PROPERTY OF DANIELS MANUFACTURING CORP. NOT TO BE DISCLOSED TO OTHERS, REPRODUCED OR USED FOR ANY OTHER PURPOSE, EXCEPT AS AUTHORIZED IN WRITING BY DANIELS MANUFACTURING. MUST BE RETURNED TO DANIELS MANUFACTURING CORP. ON COMPLETION OF ORDER OR OTHER PURPOSE FOR WHICH LENT.

DO NOT SCALE DRAWING

DRN.	KS	DATE	DATE	DATE
CHK'D.	DC	4-20-87	4-20-87	
APP'D.	AAM	4-20-87	4-20-87	
APP'D.		DATE	DATE	

NOTE: THIS DRAWING IS AN OUTLINE DRAWING OF THE RESPECTIVE DMG PART NUMBER INDICATED. ACTUAL DMG PART NUMBER IS DRAWING NUMBER WITHOUT THE "-ENV" SUFFIX.

WHERE USED: AFMB M22520/2-09

**DMG** DANIELS MANUFACTURING CORP.  
ORLANDO, FLORIDA  
CAGE 11851

ENVELOPE DRAWING  
POSITIONER

SIZE	SCALE	CAD P/N	SHEET	OF
A	NTS	K42-ENV	1	1

POSTING

DWG. NO.	REV.
K42-ENV	4