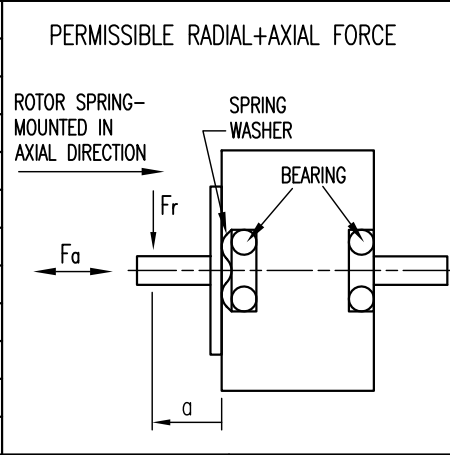


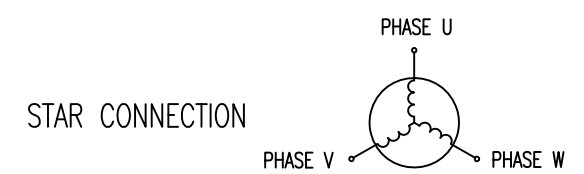
SPECIFICATION	CONNECTION	STAR
NO. OF POL./PHASE		16/3
VOLTAGE RATED (VDC)		24
NO LOAD CURRENT (A)		<0.3
CURRENT RATED/PEAK (A)		1.58/ 4.8
RESISTANCE/PHASE TO PHASE (Ohms) @20°C		1.47 \pm 10% \triangle
INDUCTANCE/PHASE TO PHASE (mH) @1KHz		0.61 \pm 20% \triangle
TORQUE RATED/PEAK (Nm) [lb-in]		0.05/0.15 [0.44/1.33]
TORQUE CONSTANT (Nm/A)		0.0355 \triangle
POWER RATED (W)		30
SPEED RATED/NO LOAD (RPM)		5000/6500 \triangle
ROTOR INERTIA (Kg-m ²) [lb-in ²]		0.99x10 ⁻⁵ [0.034]
WEIGHT (Kg) [lb]		0.08 [0.18]



WIRING DIAGRAM							
	FUNCTION	Dir. \longleftrightarrow					
MOTOR 16 POL.	U	X	HI	HI	X	LOW	LOW
	V	HI	X	LOW	LOW	X	HI
	W	LOW	LOW	X	HI	HI	X
HALL 48 IMPL. REV.	+5V						
	H1	0	0	0	1	1	1
	H2	0	1	1	1	0	0
	H3	1	1	0	0	0	1
GND							

TEMPERATURE RISE: MAX.80°C		
AMBIENT TEMPERATURE -20°~ 50°C \triangle		
INSULATION RESISTANCE 100 MOhm (UNDER NORMAL TEMPERATURE AND HUMIDITY)		
INSULATION CLASS B 130° [266°F]		
DIELECTRIC STRENGTH 500VAC FOR 1 MIN. (BETWEEN THE MOTOR COILS AND THE MOTOR CASE)		
AMBIENT HUMIDITY MAX. 85% (NO CONDENSATION)		

AXIAL-FORCE F_a (N)	$F_a=10$ max.	
DISTANCE a (mm)	10	
RADIAL-FORCE F_r (N)	28 max.	
	AXIAL	RADIAL
SHAFT PLAY (mm)	0.14	0.02
AT LOAD MAX: (N)	4	4



1	CHANGE AMBIENT TEMP.	16.01.15	J.D.
C	UPDT. DATA	17.10.14	J.D.
B	CHG. VALUE OF NO LOAD	08.08.14	J.D.
REV	DESCRIPTION	DATE	APVD

Nanotec
 PLUG & DRIVE

DF45S024050-A2

SCALE FREE	APVD	G.S.	07.07.14
X ± 0.5	CHKD		
1PL ± 0.2	DRN	J.D.	07.07.14
2PL ± 0.1	SIGNATURE	DATE	
ANGLE $\pm 30^\circ$			

BRUSHLESS DC MOTOR

DWG.NO DF45S024050-A2