

# ASMAxxxxE058L13

## SMA Male to FME Male Low Loss Cable

### Key Features

- SMA Male to FME Male
- LLC200A - Low loss cable
- Cable extension for panel mount outdoor antennas
- Suitable for low RF signal level locations



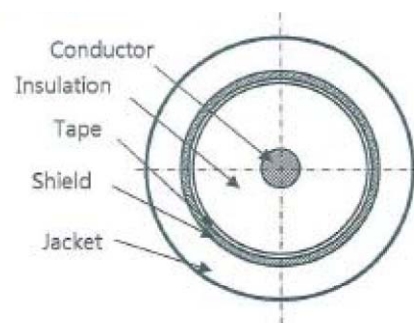
### General Description

Connector: SMA Male to FME Male

Cable: Loss loss (LLC200A - see specification below)

Cable length: ASMA300E058L13 - 3M  
ASMA500E058L13 - 5M  
ASMA1000E058L13 - 10M  
ASMA1500E058L13 - 15M  
ASMA2000E058L13 - 20M

### Cable Data



# ASMAxxxxE058L13

## SMA Male to FME Male Low Loss Cable

### Cable Construction

Item	Unit		Coaxial Cable
Main conductor:	Diameter:	mm	0.94
	Material:	-	Bare copper wire
Insulation:	Diameter:	mm	2.79
	Material:	-	GAS-FPE
	Colour:	-	Nature
Shield:	Tape:	Material:	-
		Composition:	-
			16 x 4
	Braid:	Diameter:	mm
		Material:	-
			Tinned copper
Jacket:	Diameter:	mm	4.95
	Material:	-	RoHS PVC
	Colour:	-	Black

### Electrical Characteristics

Item	Unit	Standard
Conductor resistance:	$\Omega$ /km	24.9 ↓
Insulation resistance:	M $\Omega$ /km	1000 ↑
Withstanding voltage:	V/Min	1000
Normal impedance:	$\Omega$	50 ± 3
Normal capacitance:	pF/m	83.3

### Attenuation v. Frequency

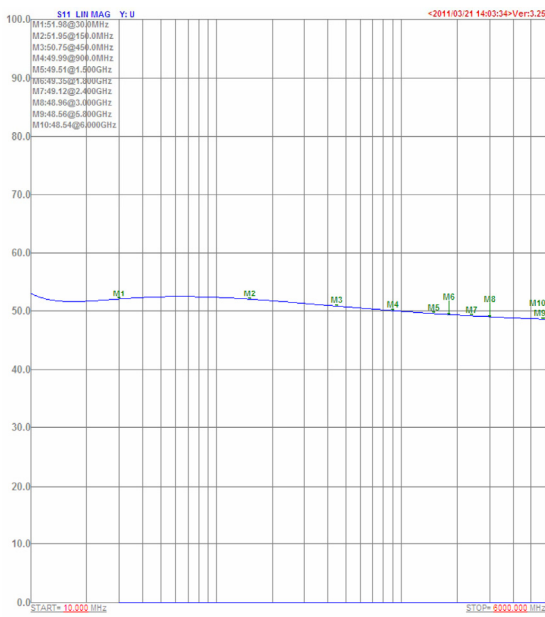
Frequency (MHz)	30	150	450	900	1500	1800	2400	3000
Attenuation dB/100M:	6.5	14.6	25.5	36.5	47.7	52.5	62.4	64.0

## ASMAxxxxE058L13

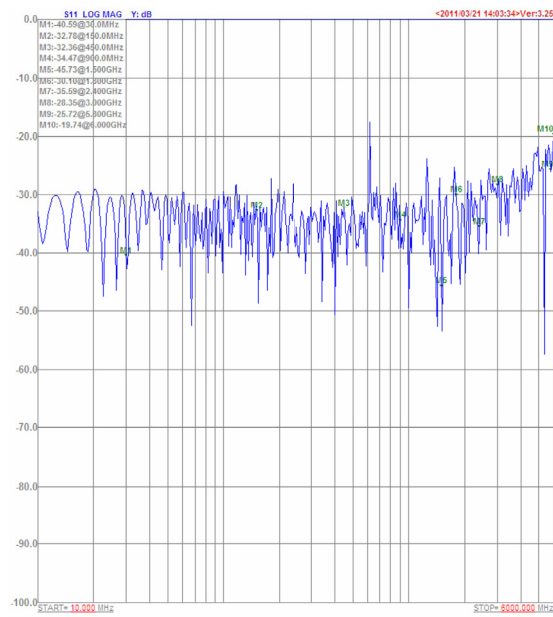
### SMA Male to FME Male Low Loss Cable

#### Graphs

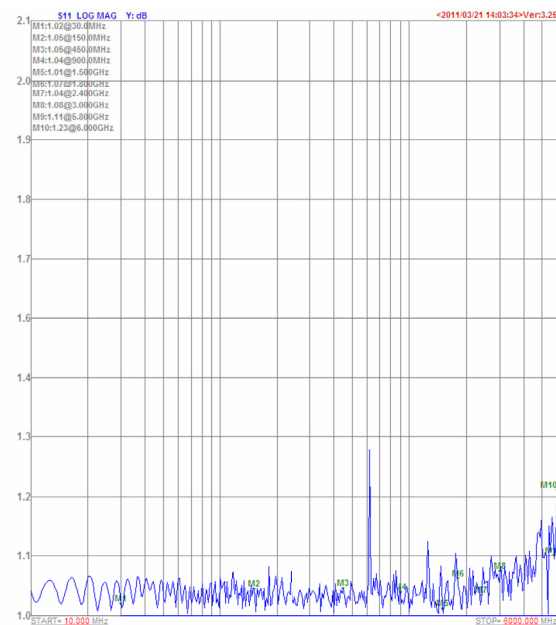
##### Impedance Result



##### Return Loss Result



##### SWR Result



##### Insertion Loss Graphic

