

DATA SHEET	44423212
EPIC[®] MHS 2 CM	Valid from: 17.02.2017

Description

- High power module 2pole for compact power transmission
- Crimp connection for permanent vibration proof contact
- EPIC[®] MH system is mateable with the market standard
- The mix of different functions is one plug guarantees high flexibility



General characteristics

Contact type	plug
Number of contacts	2
Mating cycles	500
Material	Polyamide, glass fibre-reinforced
Inflammability class acc. with UL 94	V0
Pollution degree	3
Temperature range	-40° C to +125° C
Termination methods	crimp termination: 10 – 35 mm ² Epic [®] MH 6 multi-frame Epic [®] MH 10 multi-frame Epic [®] MH 16 multi-frame Epic [®] MH 24 multi-frame
Suitable frame	Epic [®] MH 8.0mm
Suitable contacts	

Electrical characteristics

Rated voltage	1000 V
Contact resistance	< 5 mΩ
Rated impuls voltage	8 kV
Rated current	100 A

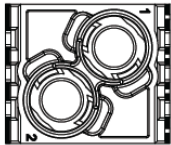
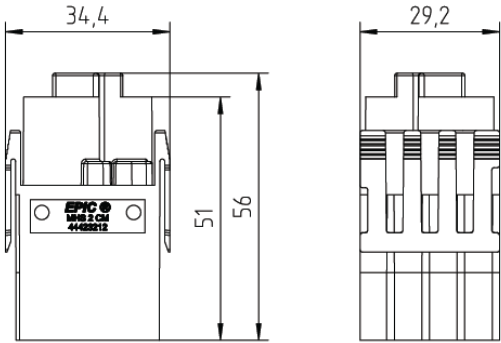
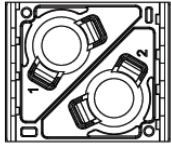
Standards/Approvals

Fire protection on railway vehicles	according EN 45545-2 Requirement sets R22 and R23 Hazard level HL1, HL2 and HL3
-------------------------------------	---



DATA SHEET	44423212
EPIC® MHS 2 CM	Valid from: 17.02.2017

Drawings



Note

Photographs are not to scale and do not represent detailed images of the respective products.

Creator: MANA2/PDP Released: IVSE1/PDP	Document: DB44423212EN Version: 00	Page 2 of 2
---	---------------------------------------	---------------------------

We reserve all rights according to DIN ISO 16016.