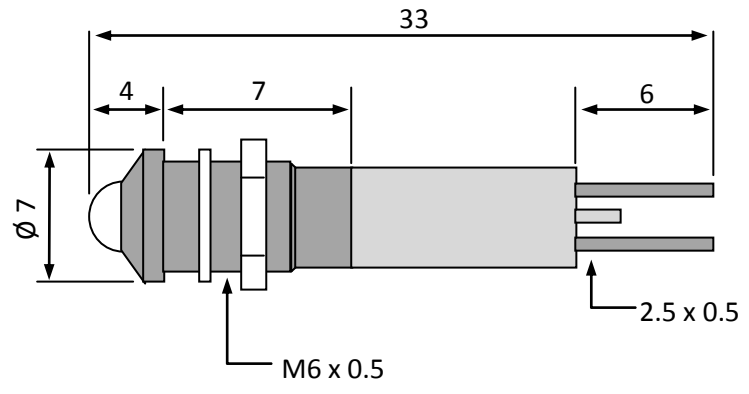


Part Number: 1902X35X

Type	Size	Rating	Description
LED	M6	24Vdc	LED Prominent Panel Indicator

Dimensions (mm)



Part #	Colour	Current (mA)	Intensity (mcd)
1902X350	Red	15	5
1902X351	Green	15	30
1902X352	Yellow	15	20
1902X353	HE-Red	15	35
1902X357	Blue	13	40
1902X358	Orange	15	45
1902X35W	White	7	1000

Bezel types - X=0 satin chrome / X=1 black chrome / X=2 matt chrome

Notes:

- 1 Electrical & optical data are measured at an ambient temperature of 25°C
- 2 Luminous intensity at DC
- 3 Storage temperature -25 °C to +80°C
- 4 Application temperature -20 °C to +60°C
- 5 Due to component tolerances, colour temperature variations may be observed
- 6 The terminals are not qualified for soldering
- 7 The plastic(polycarbonate) has limited chemical resistance
- 8 Ingress rating IP40
- 9 RoHS & REACH SVHC compliant