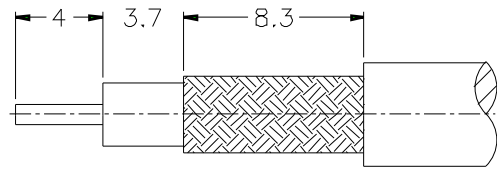
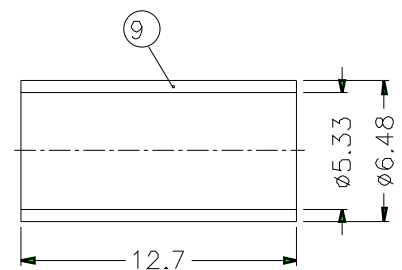
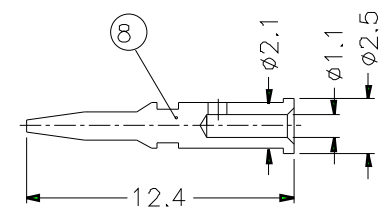
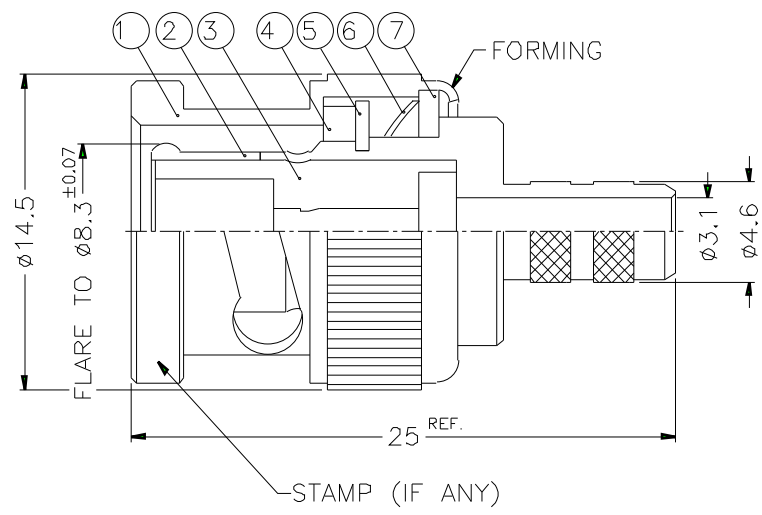


| | | | | | | | | |
|-----------|------|------------------------------|---|---|---|---|---|---|
| 1 | 2 | | 3 | 4 | 5 | 6 | 7 | 8 |
| REVISIONS | | | | | | | | |
| ISS | ZONE | DESCRIPTION\PER REQUEST\DATE | | | | | | |
| | | | | | | | | |



RECOMMENDED
CABLE STRIPPING DIM'S



- NOTES: FINISH (PLATING THICKNESS IN MICRO-INCHES)
- BRASS PER QQ-B-626
 - BRASS PER QQ-B-613
 - NICKEL PL. 100 MIN. THICK OVER COPPER STRIKE
 - NICKEL PL. 200 MIN. THICK OVER COPPER STRIKE
 - GOLD PL. 3 MIN. THICK OVER NICKEL PL. 100 MIN. THICK OVER COPPER STRIKE

- CRIMPED FERRULE
HEX CRIMP SIZE .213"
- CRIMPED CONTACT PIN
HEX CRIMP SIZE .068"

| | | | | | |
|-----|---------------|----------|---------|------|---------------------|
| 9 | FERRULE | COPPER | NOTE 3 | 1 | FR-648/533X 127C |
| 8 | CONTACT PIN | NOTE 1 | NOTE 5 | 1 | B50000-8-25/11 |
| 7 | WASHER | NOTE 2 | NOTE 3 | 1 | WS-128/9X08 |
| 6 | SPRING | SK5 | NOTE 4 | 1 | B50000-6 |
| 5 | RETAINER RING | NOTE 1 | NOTE 3 | 1 | B50000-5 |
| 4 | GASKET | RUBBER | RED | 1 | GS-115/8X15 |
| 3 | INSULATOR | DELTRIN | NATURAL | 1 | B50000-3-50-A |
| 2 | BODY | NOTE 1 | NOTE 3 | 1 | B50000-2-46/31 |
| 1 | SHELL | NOTE 1 | NOTE 3 | 1 | B50000-1-B |
| NO. | DESCRIPTION | MATERIAL | FINISH | Q'TY | DRAWING NO. |

DIMENSIONS ARE IN MILLIMETERS
UNLESS OTHERWISE SPECIFIED
TOLERANCES
0.5-6 = ±0.2
6-30 = ±0.4
30-120 = ±0.6
120-315 = ±1
315-1000 = ±1.6
1000-2000 = ±2.4

| | | |
|----------|-------------------|-----------|
| PART NO. | B1121A1-ND3G-1-50 | |
| APPROVED | DATE | 10-11-01' |
| CHECKED | DATE | 10-11-01' |
| DRAWN | DATE | 10-11-01' |
| FILE NO. | | |

Amphenol

TITLE
BNC CRIMP PLUG

DRAWING NO.
KJ-B1121A1-ND3G-58CU-50

ITEM NO.

| | | | | | | | | |
|---|---|--|---|---|---|---|---|---|
| 1 | 2 | | 3 | 4 | 5 | 6 | 7 | 8 |
|---|---|--|---|---|---|---|---|---|