

THIS DRAWING IS UNPUBLISHED. RELEASED FOR PUBLICATION 2001
 © COPYRIGHT 2001 BY TYCO ELECTRONICS CORPORATION. ALL RIGHTS RESERVED.

REVISIONS				
P	LTR	DESCRIPTION	DATE	APVD
	CI	RE-ACTIVATED PARTS	17 MAY 06	RF GT

NOTES	MATERIAL	DESCRIPTION	SUPERSEDED BY P/N	TE AMP P/N		
-	-	PANEL MOUNT RECEPTACLE ASS'Y FOR SOCKET CONTACT	0-182920-1	7-1437723-6		
SEE SHEET 5	MATERIAL: GLASSFIBER FILLED THERMOPLASTIC UL 94-V1 COLOUR: BLACK	PANEL MOUNT RECEPTACLE ASS'Y FOR PIN CONTACT	-	7-1437723-4		
-			0-182641-1	4-1437723-0		
-			0-211769-1	3-1437723-8		
-			0-182921-1	0-1437723-9		
-			0-182918-1	7-1437723-2		
-			0-183075-1	7-1437723-0		
-			0-183040-1	3-1437723-6		
-			0-211767-1	0-1437820-7		
-			0-182917-1	0-1437723-7		
SEE SHEET 4			MATERIAL: GLASSFIBER FILLED THERMOPLASTIC UL 94-V1 COLOUR: BLACK	RECEPTACLE ASS'Y FOR SOCKET CONTACT	0-206306-2	6-1437723-9
-	-	6-1437723-8				
-	0-206043-3	3-1437723-4				
-	0-211769-3	3-1437723-3				
-	0-183083-1	0-1437723-6				
SEE SHEET 4	RECEPTACLE ASS'Y FOR PIN CONTACT	0-206151-2			0-1437820-5	
SEE SHEET 4		0-206838-2			6-1437723-7	
-		-			3-1437723-2	
-		-			3-1437723-1	
-		0-182919-1			0-1437723-5	
-		0-183046-1	6-1437718-0			
-		0-183047-1	6-1437718-0			
SEE SHEET 3		MATERIAL: GLASSFIBER FILLED THERMOPLASTIC UL 94-V1 COLOUR: BLACK	PLUG ASS'Y FOR PIN CONTACT	0-182926-1	6-1437723-1	
-				-	5-1437723-9	
-				0-182649-1	2-1437723-5	
-	0-211768-1			2-1437723-3		
-	0-182651-1			0-1437723-1		
-	0-182923-1			6-1437723-5		
-	0-183073-1			6-1437723-3		
-	0-183039-1			2-1437723-9		
-	0-211766-1			2-1437723-7		
-	0-182647-1			0-1437723-3		
-	SEE RELEVANT DRAWINGS	PLUG ASS'Y FOR SOCKET CONTACT	0-054012-1	9-1437723-2		
-	SEE RELEVANT DRAWINGS		0-054011-1	4-1437723-3		
-	SEE RELEVANT DRAWINGS		0-054010-1	0-1437820-8		
-	SEE RELEVANT DRAWINGS		0-081665-5	1-1437727-5		
-	SEE RELEVANT DRAWINGS		0-081665-2	7-1437726-0		
-	SEE RELEVANT DRAWINGS		0-081665-3	2-1437726-9		
-	SEE RELEVANT DRAWINGS		0-206403-3	8-1437723-5		
-	SEE RELEVANT DRAWINGS		0-206403-2	5-1437723-2		
-	SEE RELEVANT DRAWINGS		0-206403-1	1-1437723-7		
-	SEE RELEVANT DRAWINGS		0-208680-1	9-1437723-6		
SEE SHEET 2	MATERIAL: GLASSFIBER FILLED THERMOPLASTIC UL 94-V1 COLOUR: BLACK	SEALING CUP (RECEPTACLE)	0-208652-1	9-1437723-1		
-			0-208800-1	1-1437723-2		
-			-	9-1437723-7		
-			0-183041-1	9-1437723-8		
-			0-183042-1	1-1437723-1		
SEE SHEET 2			MATERIAL: GLASSFIBER FILLED THERMOPLASTIC UL 94-V1 COLOUR: BLACK	SEALING CAP (PLUG)	-	8-1437723-2
-					-	7-1437723-9
-					-	4-1437723-7
-					-	4-1437723-4
-					-	1-1437723-4
-	SEE RELEVANT DRAWINGS	BACKSHELL PG THREAD			0-182930-1	8-1437723-6
-	SEE RELEVANT DRAWINGS				0-182652-1	8-1437723-8
-	SEE RELEVANT DRAWINGS				0-182661-1	5-1437723-6
-	SEE RELEVANT DRAWINGS				0-182655-1	5-1437723-3
-	SEE RELEVANT DRAWINGS				0-182928-1	2-1437723-0
-	SEE RELEVANT DRAWINGS		0-182658-1	1-1437723-8		
-	SEE RELEVANT DRAWINGS		BACKSHELL CABLE CLAMP	0-182930-1	8-1437723-6	
-	SEE RELEVANT DRAWINGS			0-182652-1	8-1437723-8	
-	SEE RELEVANT DRAWINGS			0-182661-1	5-1437723-6	
-	SEE RELEVANT DRAWINGS			0-182655-1	5-1437723-3	
-	SEE RELEVANT DRAWINGS	0-182928-1		2-1437723-0		
-	SEE RELEVANT DRAWINGS	0-182658-1		1-1437723-8		

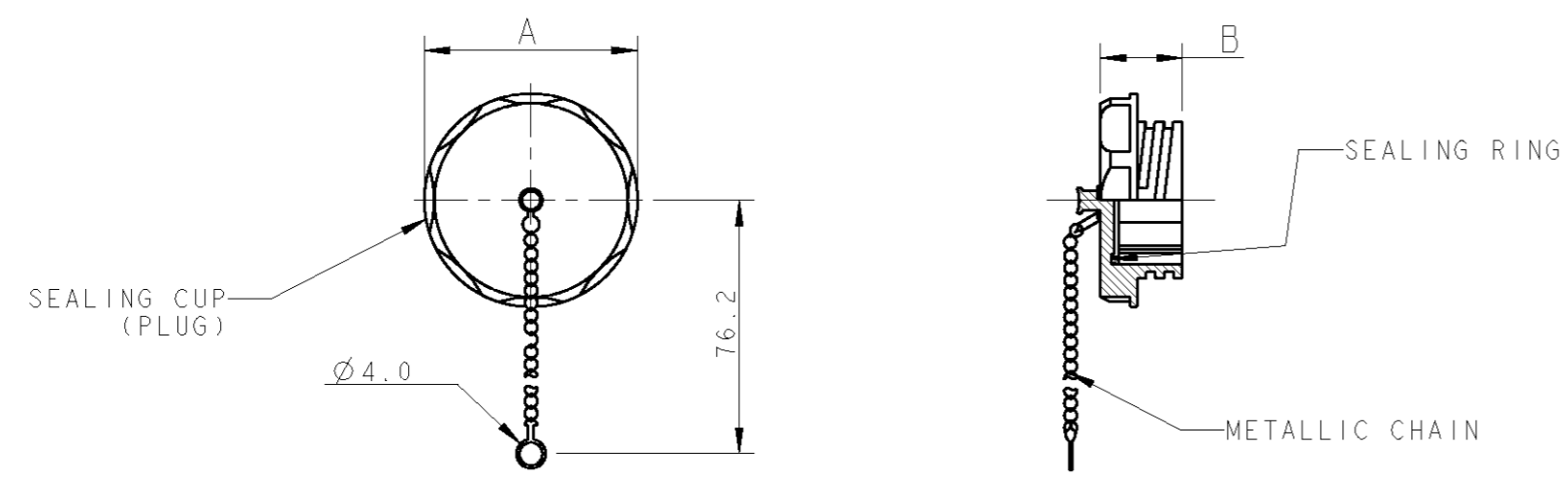
⚠ PARTS SUPERSEDED BY: CPC Series I
SEE P/NS FOR REFERENCE

THIS DRAWING IS A CONTROLLED DOCUMENT FOR TYCO ELECTRONICS CORPORATION IT IS SUBJECT TO CHANGE AND THE CONTROLLING ENGINEERING ORGANIZATION SHOULD BE CONTACTED FOR THE LATEST REVISION.		DWN 21SEP2001	AMP Italia S.p.A. C.so F.lli Cervi, 15 COLLEGNO (TO)
DIMENSIONS: mm		CHK C. TARTARI	
TOLERANCES UNLESS OTHERWISE SPECIFIED:		APVD -	NAME
0 PLC ± 1 PLC ±0.3 2 PLC ± 3 PLC ± 4 PLC ± ANGLES ±° FINISH -		PRODUCT SPEC -	CIRCULAR PLASTIC CONNECTOR T10 SERIES PLUGS, RECEPTACLES, ACCESSORIES
MATERIAL -		APPLICATION SPEC -	SIZE
		WEIGHT -	CAGE CODE
		CUSTOMER DRAWING	DRAWING NO
		SCALE -	RESTRICTED TO
		SHEET 1 OF 5	REV C1

THIS DRAWING IS UNPUBLISHED. RELEASED FOR PUBLICATION 2001
 © COPYRIGHT 2001 BY TYCO ELECTRONICS CORPORATION. ALL RIGHTS RESERVED.

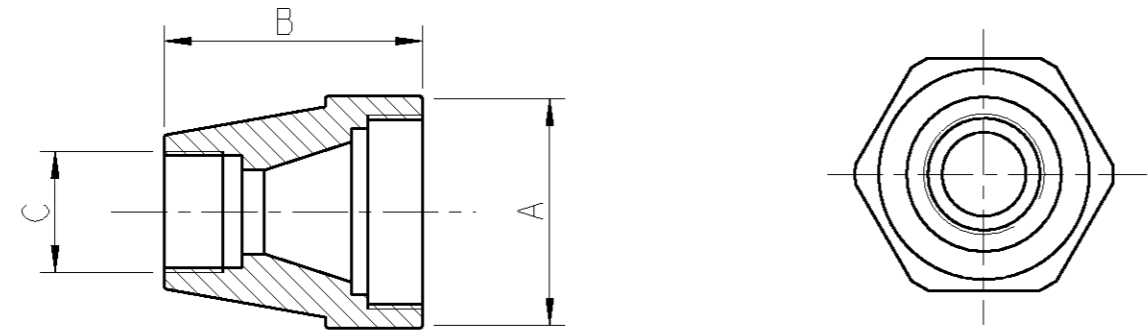
LOC		DIST		REVISIONS			
P	LTR	DATE	DWN	APVD			
-	-	-	-	-	SEE SHEET 1		

SEALING CAP, PLUG



-	-	17.3	44.2	23	SEALING CAP, PLUG	9-1437723-7	A
---	---	------	------	----	-------------------	-------------	---

BACKSHELL WITH PG THREAD



-	PG21	43.0	40.0	23	BACKSHELL WITH PG THREAD	8-1437723-2	A
-	PG16	43.0	40.0		BACKSHELL WITH PG THREAD	7-1437723-9	A
-	PG13.5	43.0	30.0	17	BACKSHELL WITH PG THREAD	4-1437723-7	A
-	PG11	43.0	30.0		BACKSHELL WITH PG THREAD	4-1437723-4	A
-	PG9	43.0	21.5		BACKSHELL WITH PG THREAD	1-1437723-4	A

CABLE Ø RANGE	C	B	A	SIZE	DESCRIPTION	TE AMP P/N	REV
---------------	---	---	---	------	-------------	------------	-----

THIS DRAWING IS A CONTROLLED DOCUMENT FOR TYCO ELECTRONICS CORPORATION. IT IS SUBJECT TO CHANGE AND THE CONTROLLING ENGINEERING ORGANIZATION SHOULD BE CONTACTED FOR THE LATEST REVISION.

DWN: R. FABRIS 21SEP2001
 CHK: C. TARTARI
 APVD: -

tyco Electronics AMP Italia S.p.A.
 C.so F.lli Cervi, 15 COLLENO (TO)

NAME: CIRCULAR PLASTIC CONNECTOR T10 SERIES ACCESSORIES

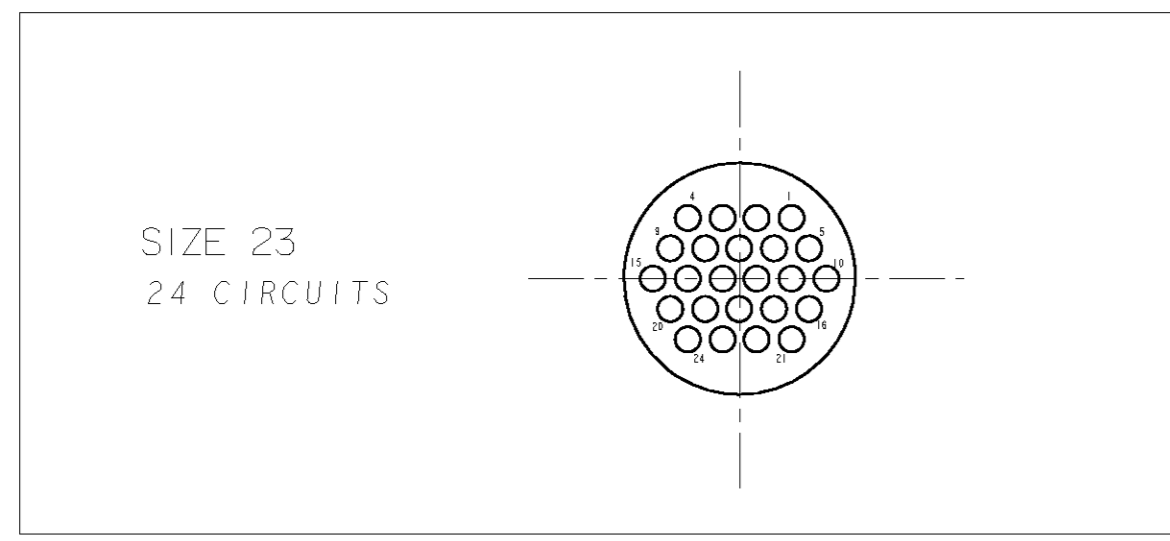
SIZE: A2 CAGE CODE: 00779 DRAWING NO: 1437723 RESTRICTED TO: -

CUSTOMER DRAWING SCALE: - SHEET 2 OF 5 REV: C1

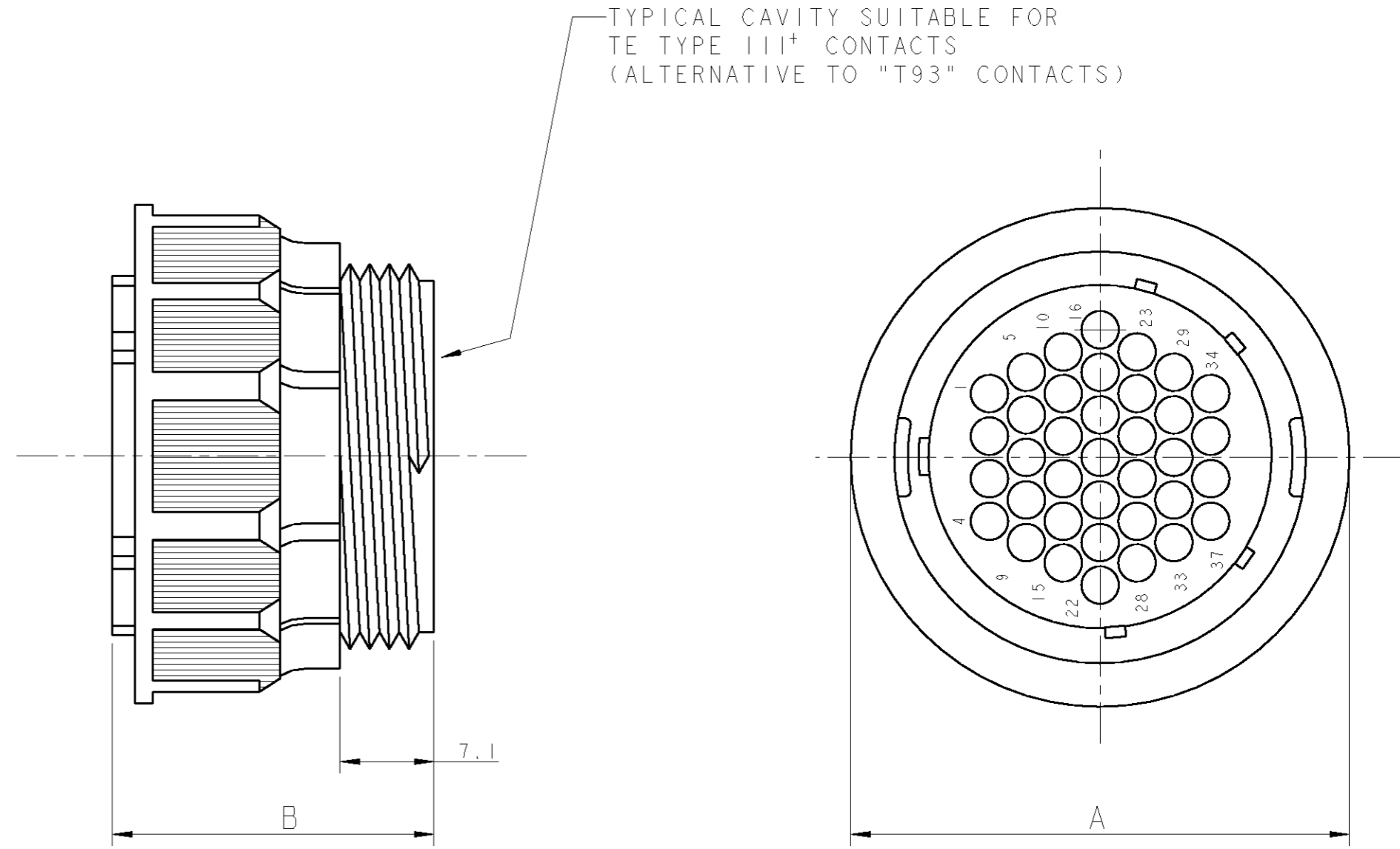
THIS DRAWING IS UNPUBLISHED. RELEASED FOR PUBLICATION 2001
 © COPYRIGHT 2001 BY TYCO ELECTRONICS CORPORATION. ALL RIGHTS RESERVED.

LOC	DIST	REVISIONS			
P	LTR	DESCRIPTION	DATE	DWN	APVD
-	-	SEE SHEET 1	-	-	-

CIRCUIT LAYOUT (View from "X")



"X" →



0-183047-1	3.6	34.0	44.5	24	23	PLUG ASS'Y FOR PIN CONTACT	5-1437723-9	A
KEYING PLUG (FOR REF. ONLY)	Ø MAX ALLOWABLE WIRE INS.	B	A	No. OF CIRCUITS	SIZE	DESCRIPTION	TE AMP P/N	REV

THIS DRAWING IS A CONTROLLED DOCUMENT FOR TYCO ELECTRONICS CORPORATION. IT IS SUBJECT TO CHANGE AND THE CONTROLLING ENGINEERING ORGANIZATION SHOULD BE CONTACTED FOR THE LATEST REVISION.

DWN: R. FABRIS 21SEP2001
 CHK: C. TARTARI
 APVD: -

tyco Electronics AMP Italia S.p.A. C.so F.lli Cervi, 15 COLLEGGNO (TO)

NAME: CIRCULAR PLASTIC CONNECTOR T10 SERIES PLUG ASS'Y

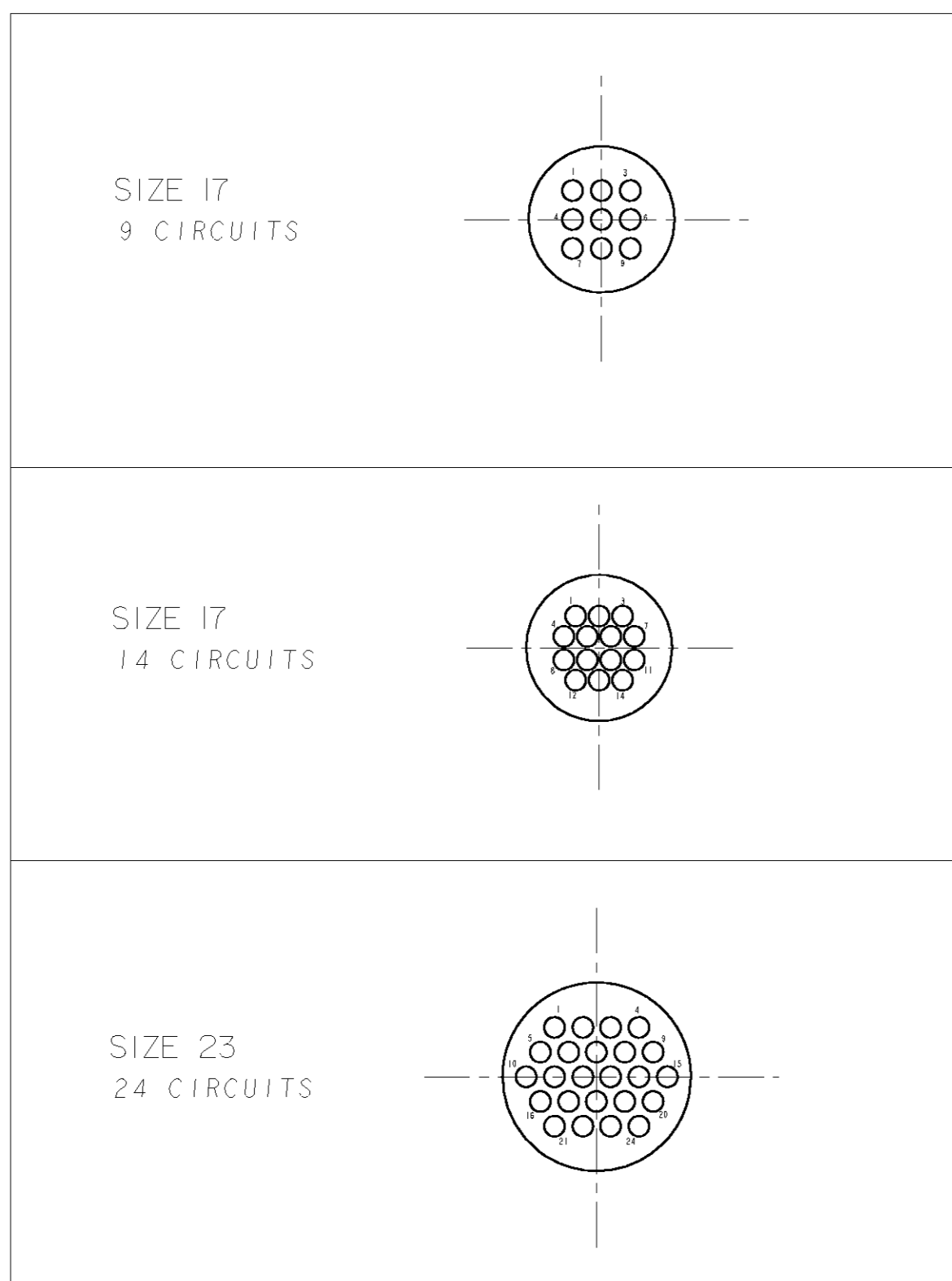
SIZE: A2 CAGE CODE: 00779 DRAWING NO: 1437723 RESTRICTED TO: -

CUSTOMER DRAWING SCALE: - SHEET 3 OF 5 REV: C1

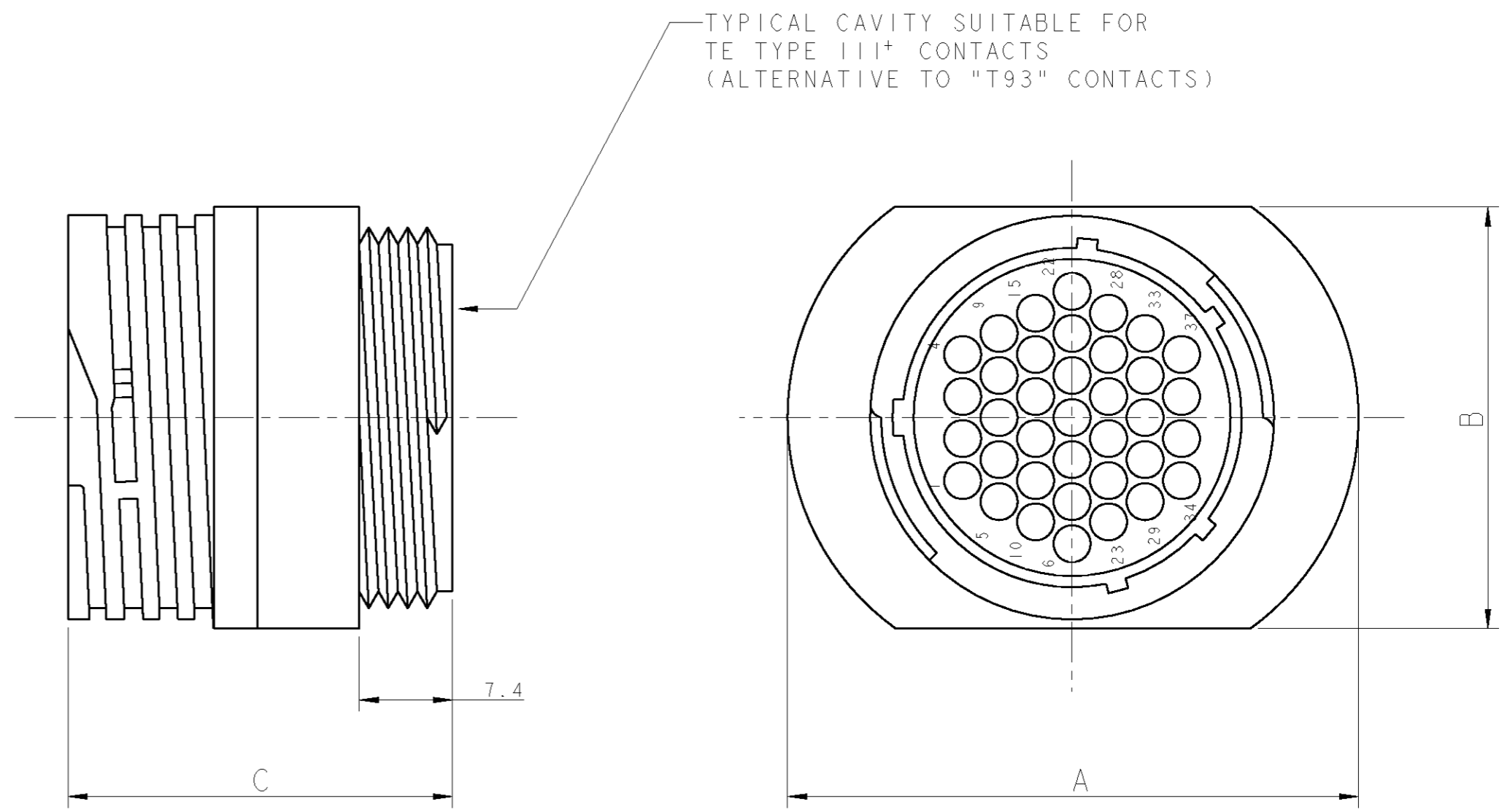
THIS DRAWING IS UNPUBLISHED. RELEASED FOR PUBLICATION 2001
 © COPYRIGHT 2001 BY TYCO ELECTRONICS CORPORATION. ALL RIGHTS RESERVED.

LOC	DIST	REVISIONS			
P	LTR	DESCRIPTION	DATE	DWN	APVD
-	-	SEE SHEET 1	-	-	-

CIRCUIT LAYOUT (View from "X")



"X" →



0-183046-1	3.6	26.9	37.8	43.9	24	23	RECEPTACLE ASS'Y FOR SOCKET CONTACT	6-1437723-8	A
0-183047-1	2.8	33.8	29.5	33.3	14	17	RECEPTACLE ASS'Y FOR PIN CONTACT	3-1437723-2	A
	3.6	33.8	29.5	33.3	9	17	RECEPTACLE ASS'Y FOR PIN CONTACT	3-1437723-1	A
KEYING PLUG (FOR REF. ONLY)	Ø MAX ALLOWABLE WIRE INS.	C	B	A	No. OF CIRCUITS	SIZE	DESCRIPTION	TE AMP P/N	REV

THIS DRAWING IS A CONTROLLED DOCUMENT FOR TYCO ELECTRONICS CORPORATION. IT IS SUBJECT TO CHANGE AND THE CONTROLLING ENGINEERING ORGANIZATION SHOULD BE CONTACTED FOR THE LATEST REVISION.

DWN: R. FABRIS 21SEP2001
 CHK: C. TARTARI
 APVD: -

tyco Electronics AMP Italia S.p.A.
 C.so F.lli Cervi, 15 COLLENO (TO)

NAME: CIRCULAR PLASTIC CONNECTOR T10 SERIES RECEPTACLE ASS'Y

SIZE: A2 CAGE CODE: 00779 DRAWING NO: 1437723 RESTRICTED TO: -

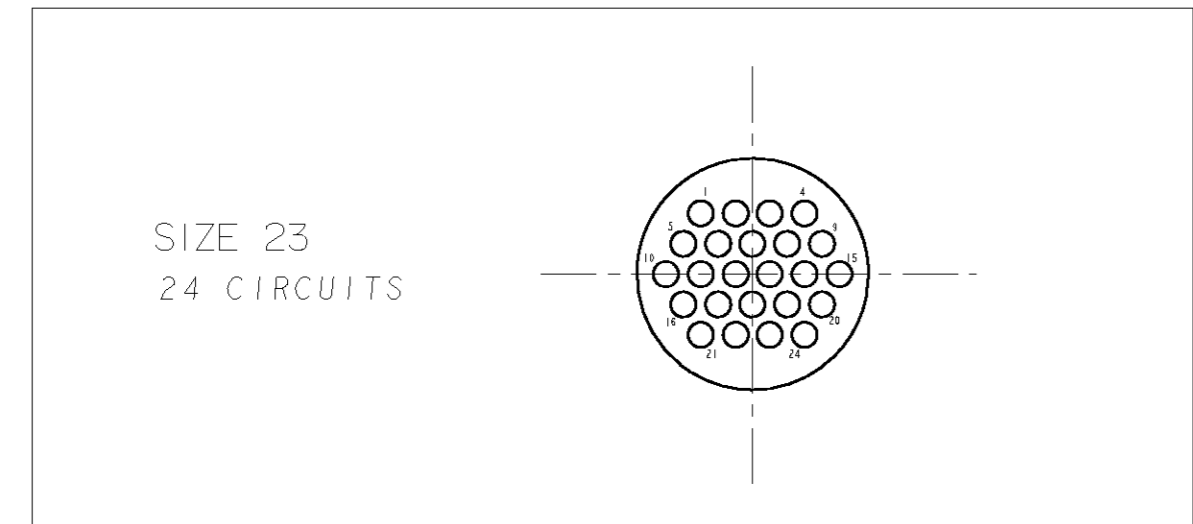
MATERIAL: - FINISH: - WEIGHT: -

CUSTOMER DRAWING SCALE: - SHEET 4 OF 5 REV: C1

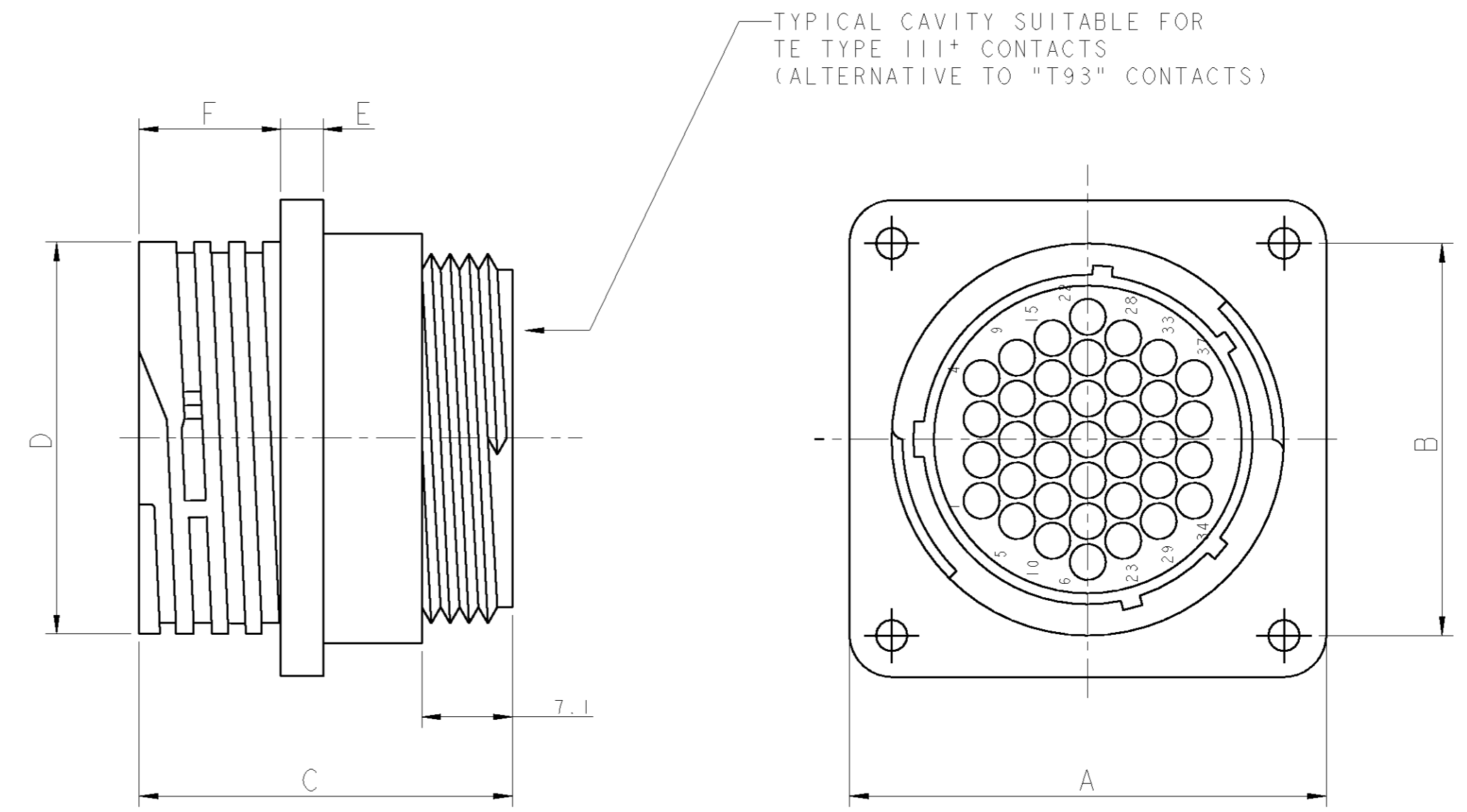
THIS DRAWING IS UNPUBLISHED. RELEASED FOR PUBLICATION 2001
 © COPYRIGHT 2001 BY TYCO ELECTRONICS CORPORATION. ALL RIGHTS RESERVED.

LOC		DIST		REVISIONS			
P	LTR	DESCRIPTION	DATE	DWN	APVD		
-	-	SEE SHEET 1	-	-	-		

CIRCUIT LAYOUT (View from "X")



"X" →



0-183046-1	3.6	13.5	4.1	36.3	26.9	36.6	44.5	38.6	24	23	PANEL MOUNT RECEPTACLE ASS'Y FOR SOCKET CONTACT	7-1437723-4	A
KEYING PLUG (FOR REF. ONLY)	Ø MAX ALLOWABLE WIRE INS.	F	E	D	C	B	A	PANEL CUT OUT Ø	No. OF CIRCUITS	SIZE	DESCRIPTION	TE AMP P/N	REV

THIS DRAWING IS A CONTROLLED DOCUMENT FOR TYCO ELECTRONICS CORPORATION. IT IS SUBJECT TO CHANGE AND THE CONTROLLING ENGINEERING ORGANIZATION SHOULD BE CONTACTED FOR THE LATEST REVISION.

DWN: R. FABRIS 21SEP2001
 CHK: C. TARTARI
 APVD: -

tyco Electronics AMP Italia S.p.A. C.so F.lli Cervi, 15 COLLEGNO (TO)

NAME: CIRCULAR PLASTIC CONNECTOR T10 SERIES PANEL MOUNT RECEPTACLE ASS'Y

SIZE: A2 CAGE CODE: 00779 DRAWING NO: 1437723 RESTRICTED TO: -

CUSTOMER DRAWING SCALE: - SHEET 5 OF 5 REV: C1